



SERIES 621/622



Example Part Number 621 - 025 - 560 - 0 1 3

Series _____
 Total Number of Contacts _____
 Contact/Plating Code _____
 Material Code _____
 Grounding Feature _____
 Mounting Option _____

Series
 621 _____ Plug
 622 _____ Receptacle

Total Contacts
 009, 015, 025, 037.....50 (machined pin only)

Contact/Plating Code
 260 _____ Gold Flash (Class 3)
 560 _____ 10u" (0.25um) (Class 2)
 660 _____ 30u" (0.76um) (Class 1)
 668 _____ Ferrite Filter

Material Code
 0 _____ Indicates generic internal use code

Grounding Feature
 1 _____ .120" (3.05mm) dia. through hole top ground
 3 _____ Two-prong boardlocks for .120" (3.05mm) dia. PCB hole
 4 _____ Four-prong boardlocks for .120" (3.05mm) dia. PCB hole

Mounting Option
 0 _____ #4-40 UNC fixed standoff
 1 _____ .125" (3.18mm) dia. through-hole
 2 _____ #4-40 UNC threaded insert
 3 _____ #4-40 UNC threaded standoff
 5 _____ #4-40 UNC threaded standoff & lock washer

FEATURES

Two contact rows with .318" (8.08mm) footprint right-angle bend.

.109" (2.77mm) contact spacing x .112" (2.82mm) row spacing

Plug and receptacle in 9-, 15-, 25- or 37- pin contact sizes
 Pin and socket contact mating design with PC tail termination

Metal shell provides EMI/RFI shielding, Plug Shell indents provide grounding and additional mating retention

Grounding features include top or bottom ground plates and four-prong boardlock for superior retention to PC Board

Mounting options for panel mount or connector mating include through hole, threaded inserts and threaded standoffs

D-shaped connector mating outline provides polarization
 Design based on requirements of MIL-C-24308, EIA RS-232 and RS-449

SPECIFICATIONS

Insulator Material: Thermoplastic polyester UL 94V-0; chemical resistant; colour - black

Ferrite Specifications: Attenuation - 20db MIN @ 30Mhz, 30dB MIN @ 50MHz, and 50dB @ 100Mhz

Contact Material: Plug contacts- brass
 Receptacle contacts - phosphor bronze

Contact Plating: Gold (see Ordering Code) over nickel for the mating area; tin plating on contact tails

Shell Material: Nickel-plated steel

Current Rating: 5 amperes

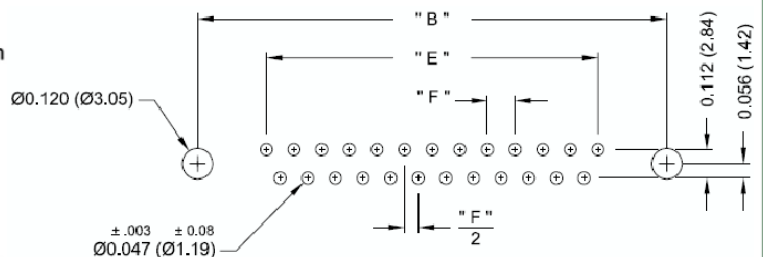
Contact Resistance: 10 milliohms maximum

Dielectric Withstanding Voltage: 1000 V AC rms @ sea level

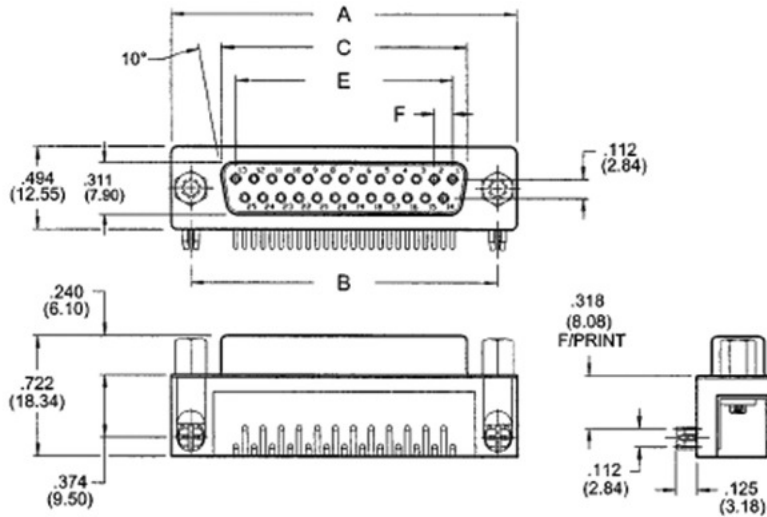
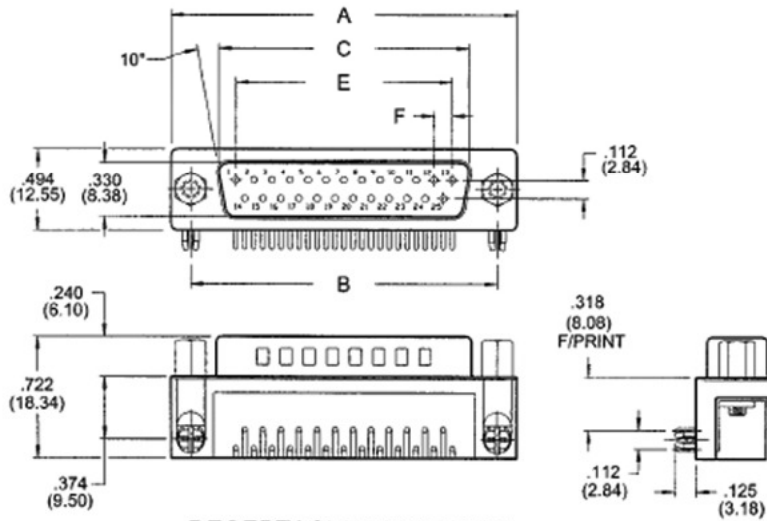
Insulation Resistance: 5000 megohm minimum

Operating Temperature: -55 to + 105 degrees C

Engagement and Separation Force: 1 to 10 oz (0.28 to 2.78 N) per contact position



RECOMMENDED BOARD HOLE PATTERN



NUMBER OF CONTACTS	A		B		C PLUG		C RECEPTACLE		E		F	
	Inch	(mm)	Inch	(mm)	Inch	(mm)	Inch	(mm)	Inch	(mm)	Inch	(mm)
9	1.214	(30.84)	.984	(24.99)	.667	(16.92)	.640	(16.26)	.432	(10.97)	.108	(2.74)
15	1.545	(39.24)	1.312	(33.32)	.994	(25.25)	.967	(24.56)	.756	(19.20)	.108	(2.74)
25	2.088	(53.04)	1.852	(47.04)	1.534	(38.96)	1.508	(38.30)	1.304	(33.12)	.109	(2.76)
37	2.730	(69.34)	2.500	(63.50)	2.182	(53.08)	2.156	(54.76)	1.956	(49.68)	.109	(2.76)

Mouser Electronics

Authorized Distributor

Click to View Pricing, Inventory, Delivery & Lifecycle Information:

EDAC:

[622-009-260-043](#) [621-009-260-032](#) [621-009-260-033](#) [621-009-460-900](#) [621-015-260-042](#) [621-025-260-041](#) [621-025-260-042](#) [621-025-260-542](#) [621-025-568-033](#) [621-250-103-115](#) [621-250-104-115](#) [621-250-105-115](#) [621-250-108-115](#) [621-250-112-115](#) [621-250-113-115](#) [621-250-118-115](#) [621-250-124-115](#) [621-250-125-115](#) [621-250-950-004](#) [621-256-005](#) [621-256-006](#) [622-009-260-032](#) [622-009-260-040](#) [622-009-560-032](#) [622-015-260-092](#) [622-025-260-032](#) [622-025-260-033](#) [622-050-260-032](#) [622-050-560-032](#) [621-009-260-013](#) [621-009-260-043](#) [621-009-268-032](#) [621-009-560-012](#) [621-009-560-043](#) [621-009-660-042](#) [621-009-660-043](#) [621-009-668-032](#) [621-015-260-043](#) [621-025-260-012](#) [621-025-260-013](#) [621-025-260-043](#) [621-025-268-032](#) [621-025-268-033](#) [621-025-560-012](#) [621-037-260-042](#) [621-037-260-043](#) [621-037-268-032](#) [622-009-260-012](#) [622-009-260-013](#) [622-009-268-032](#) [622-009-560-012](#) [622-009-560-013](#) [622-009-560-042](#) [622-009-560-043](#) [622-009-660-012](#) [622-009-660-042](#) [622-009-660-043](#) [622-015-260-012](#) [622-015-260-043](#) [622-015-660-012](#) [622-015-660-013](#) [622-015-660-042](#) [622-015-660-043](#) [622-015-668-032](#) [622-025-260-012](#) [622-025-260-042](#) [622-025-268-032](#) [622-025-560-042](#) [622-025-660-012](#) [622-025-660-042](#) [622-025-660-043](#) [622-025-668-032](#) [622-037-260-012](#) [622-037-260-042](#) [622-037-260-043](#) [622-037-660-012](#) [622-009-260-042](#) [622-015-260-042](#) [622-025-260-043](#) [621-009-260-042](#)