

FEATURES

- Button diodes with heat sink
- Thermostate , M.O.V. & 35 MM Bus bar
- Compact size
- Low cost

TYPICAL APPLICATIONS

- Co₂ – welding machine
- DC power supplies

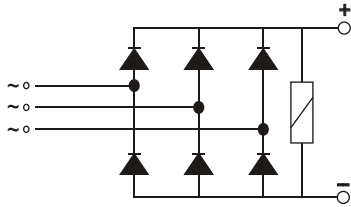
TECHNICAL DATA

DEVICE TYPE	V _{RRM} (V)	V _{RSM} (V)
PTB-450/600	600	700

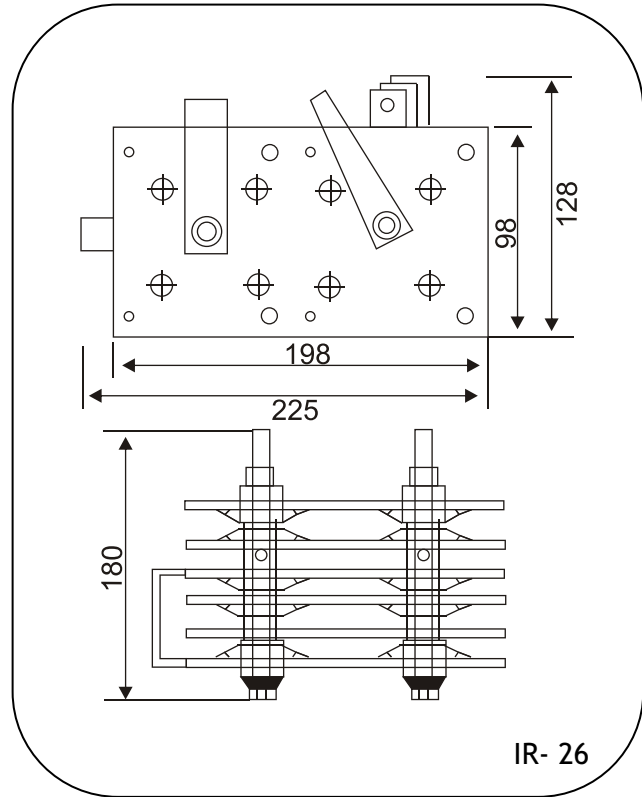


SYMBOL	CONDITIONS	VALUES
I _{F(AV)}	Maximum average forward Current T _c = 100°C	450A
V _{FM}	Maximum peak forward Voltage drop @ 450A	1.30 V
I _{FSM}	Maximum peak one cycle (non-rep.) surge current 10 msec	3600 A
I _{RRM}	Peak reverse current at T _{vj} = 175°C	20 mA
T _{vj}	Junction temperature	140 °C
T _{stg}	Storage temperature	140 °C
Mounting torque		6 Nm/Bolt
Weight	Approx.	1.8 Kg
Duty cycle @ 60%		270 A
Package Outline		IR- 26

CIRCUIT DIAGRAM



PACKAGE OUTLINE



All dimensions are in mm.

Insel Rectifiers (India) Pvt. Ltd.

(An ISO 9001:2015, ISO 14001:2015 Certified Company)

Plot No 151, Udyog Kendra, Extn.-II, Ecotech-III, Greater Noida-201306

Toll Free No.: 1800 3070 9989, Fax : 011-27491404

E-mail : insel@rectifierindia.com, sales@rectifierindia.com