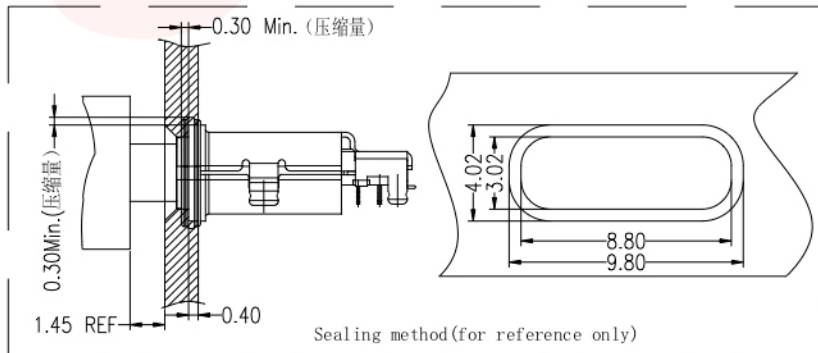


1. Material/Plated
- 1.1 Housing: High temperature thermoplastic, Black UL 94V-0.
- 1.2 Terminal: Copper Alloy, Gold Flash Plated At Contact Area, Gold Plated At Solder Area, Nickel Underplated Overall
- 1.3 Shell-1: Stainless steel, Nickel plated
- 1.4 Shell-2: Stainless steel
- 1.5 Ring: Silicon
- 1.6 Epoxy: Epoxy, Black
2. Electrical Performance
- 2.1 Rated Voltage: 30V AC
- 2.2 Rated Current: 5.0A Max.
- 2.3 Contact Resistance: 30mΩ Max.
- 2.4 Insulation Resistance: 100MΩ Min.
- 2.5 Dielectric Strength: 100V AC
3. Mechanical Performance
- 3.1 Insertion Force: 5-20N
- 3.2 Withdrawal Force: 8-20N
- 3.3 Durability: 10000 Cycles
4. Operating Temperature: -25°C To +85°C
5. Waterproof: IPX8



G-Switch Electronic (HongKong) CO.,Ltd

Unless otherwise specified, Tolerance: X. ±0.30 X.x ±0.20 X.xx ±0.15 X.xxx ±0.10 Angles ±3°	DESIGN 陈锋枫	DATE 2019.05.29	TITLE: GT-USB-7050		
	CHECKED	DATE			
	APPROVED	DATE	REV.: X1	SCALE: 4:1	UNIT: mm
	http://www.dg-switch.com		SIZE: A4 SHEET: 1/1		
TEL: 0769-82388879					