

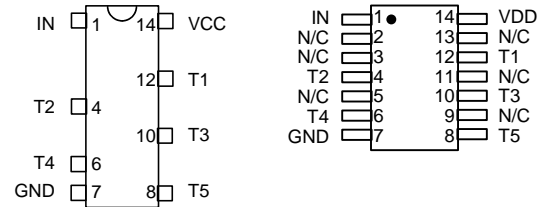
# 5-TAP, HCMOS-INTERFACED FIXED DELAY LINE (SERIES DDU4C)

**data  
delay  
devices, inc.** 

## FEATURES

- Five equally spaced outputs
- Fits standard 8-pin DIP socket
- Low profile
- Auto-insertable
- Input & outputs fully CMOS interfaced & buffered
- 10 T<sup>2</sup>L fan-out capability

## PACKAGES



DIP		SMD	
DDU4C-xx	Comm.	DDU4C-xxA2	Comm.
DDU4C-xxM	Military	DDU4C-xxB2	Comm.
		DDU4C-xxMC2	Military

## FUNCTIONAL DESCRIPTION

The DDU4C-series device is a 5-tap digitally buffered delay line. The signal input (IN) is reproduced at the outputs (T1-T5), shifted in time by an amount determined by the device dash number (See Table). The total delay of the line is measured from IN to T5. The nominal tap-to-tap delay increment is given by one-fifth of the total delay.

## PIN DESCRIPTIONS

IN	Signal Input
T1-T5	Tap Outputs
VDD	+5 Volts
GND	Ground

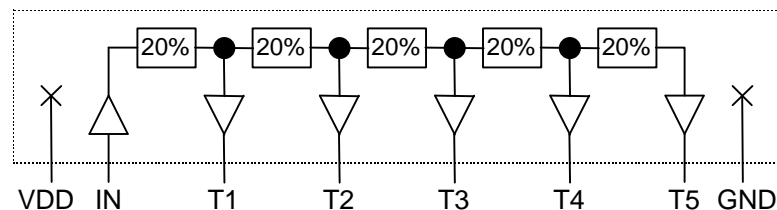
## SERIES SPECIFICATIONS

- **Minimum input pulse width:** 20% of total delay
- **Output rise time:** 8ns typical
- **Supply voltage:** 5VDC  $\pm$  5%
- **Supply current:**  $I_{CCL} = 40\mu\text{a}$  typical  
 $I_{CCH} = 10\text{ma}$  typical
- **Operating temperature:** 0° to 70° C
- **Temp. coefficient of total delay:** 300 PPM/°C

## DASH NUMBER SPECIFICATIONS

Part Number	Total Delay (ns)	Delay Per Tap (ns)
DDU4C-5050	50 $\pm$ 2.5	10.0 $\pm$ 3.0
DDU4C-5060	60 $\pm$ 3.0	12.0 $\pm$ 3.0
DDU4C-5075	75 $\pm$ 4.0	15.0 $\pm$ 3.0
DDU4C-5100	100 $\pm$ 5.0	20.0 $\pm$ 3.0
DDU4C-5125	125 $\pm$ 6.5	25.0 $\pm$ 3.0
DDU4C-5150	150 $\pm$ 7.5	30.0 $\pm$ 3.0
DDU4C-5200	200 $\pm$ 10.0	40.0 $\pm$ 4.0
DDU4C-5250	250 $\pm$ 12.5	50.0 $\pm$ 5.0
DDU4C-5300	300 $\pm$ 15.0	60.0 $\pm$ 6.0
DDU4C-5400	400 $\pm$ 20.0	80.0 $\pm$ 8.0
DDU4C-5500	500 $\pm$ 25.0	100.0 $\pm$ 10.0

**NOTE:** Any dash number between 5050 and 5500 not shown is also available.



**DDU4C Functional diagram**

## APPLICATION NOTES

### HIGH FREQUENCY RESPONSE

The DDU4C tolerances are guaranteed for input pulse widths and periods greater than those specified in the test conditions. Although the device will function properly for pulse widths as small as 20% of the total delay and periods as small as 40% of the total delay (for a symmetric input), the delays may deviate from their values at low frequency. However, for a given input condition, the deviation will be repeatable from pulse to pulse. Contact technical support at Data

Delay Devices if your application requires device testing at a specific input condition.

### POWER SUPPLY BYPASSING

The DDU4C relies on a stable power supply to produce repeatable delays within the stated tolerances. A 0.1uf capacitor from VDD to GND, located as close as possible to the VDD pin, is recommended. A wide VDD trace and a clean ground plane should be used.

## DEVICE SPECIFICATIONS

**TABLE 1: ABSOLUTE MAXIMUM RATINGS**

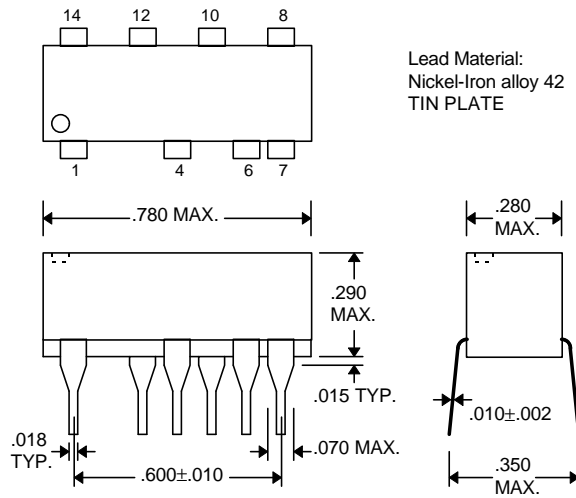
PARAMETER	SYMBOL	MIN	MAX	UNITS	NOTES
DC Supply Voltage	$V_{DD}$	-0.3	7.0	V	
Input Pin Voltage	$V_{IN}$	-0.3	$V_{DD}+0.3$	V	
Storage Temperature	$T_{STRG}$	-55	150	C	
Lead Temperature	$T_{LEAD}$		300	C	10 sec

**TABLE 2: DC ELECTRICAL CHARACTERISTICS**

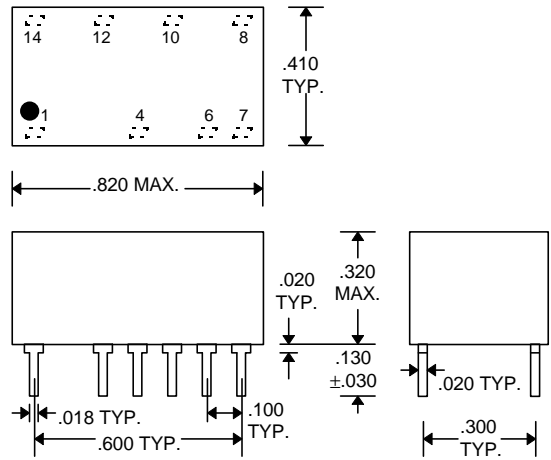
(0C to 70C, 4.75V to 5.25V)

PARAMETER	SYMBOL	MIN	TYP	MAX	UNITS	NOTES
High Level Output Voltage	$V_{OH}$	3.98	4.4		V	$V_{DD} = 5.0, I_{OH} = MAX$ $V_{IH} = MIN, V_{IL} = MAX$
Low Level Output Voltage	$V_{OL}$		0.15	0.26	V	$V_{DD} = 5.0, I_{OL} = MAX$ $V_{IH} = MIN, V_{IL} = MAX$
High Level Output Current	$I_{OH}$			-4.0	mA	
Low Level Output Current	$I_{OL}$			4.0	mA	
High Level Input Voltage	$V_{IH}$	3.15			V	
Low Level Input Voltage	$V_{IL}$			1.35	V	
Input Current	$I_{IH}$			0.10	$\mu A$	$V_{DD} = 5.0$

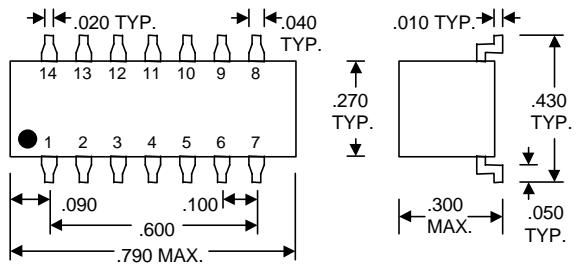
**PACKAGE DIMENSIONS**



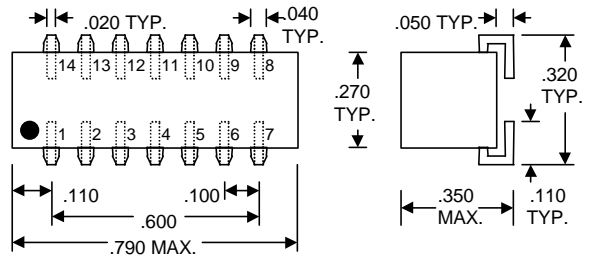
**DDU4C-xx (Commercial DIP)**



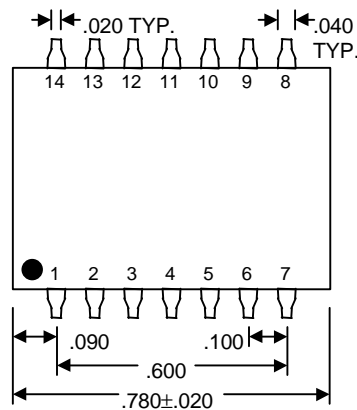
**DDU4C-xxM (Military DIP)**



**DDU4C-xxA2 (Commercial Gull-Wing)**



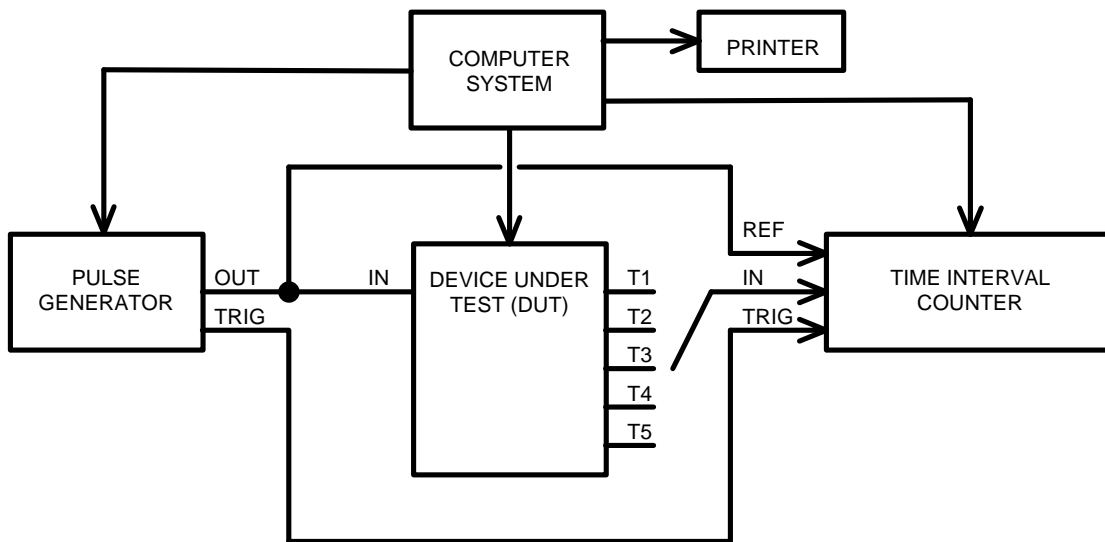
**DDU4C-xxB2 (Commercial J-Lead)**



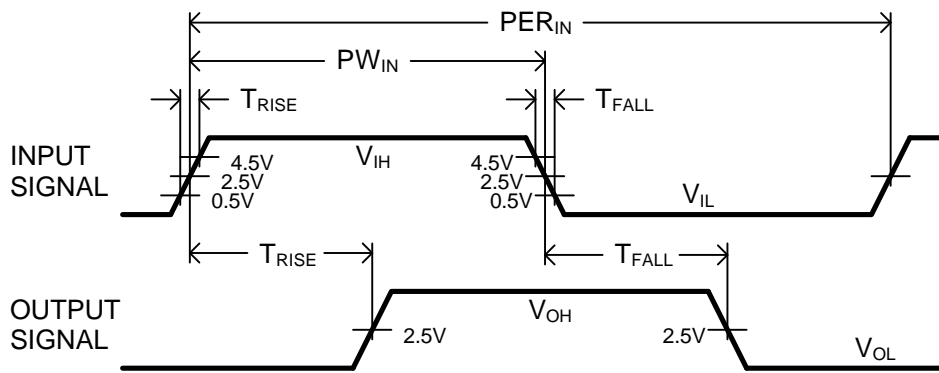
**DDU4C-xxMC2 (Military SMD)**

## DELAY LINE AUTOMATED TESTING

### TEST CONDITIONS

**INPUT:****Ambient Temperature:**  $25^{\circ}\text{C} \pm 3^{\circ}\text{C}$ **Supply Voltage (VDD):**  $5.0\text{V} \pm 0.1\text{V}$ **Input Pulse:** High =  $5.0\text{V} \pm 0.1\text{V}$   
Low =  $0.0\text{V} \pm 0.1\text{V}$ **Source Impedance:**  $50\Omega$  Max.**Rise/Fall Time:**  $5.0\text{ ns Max.}$  (measured between  $0.5\text{V}$  and  $4.5\text{V}$ )**Pulse Width:**  $\text{PW}_{\text{IN}} = 1.5 \times \text{Total Delay}$ **Period:**  $\text{PER}_{\text{IN}} = 10 \times \text{Total Delay}$ **OUTPUT:****Load:** 1 FAST-TTL Gate**C<sub>load</sub>:**  $5\text{pf} \pm 10\%$ **Threshold:**  $2.5\text{V}$  (Rising & Falling)**NOTE:** The above conditions are for test only and do not in any way restrict the operation of the device.

**Test Setup**



**Timing Diagram For Testing**