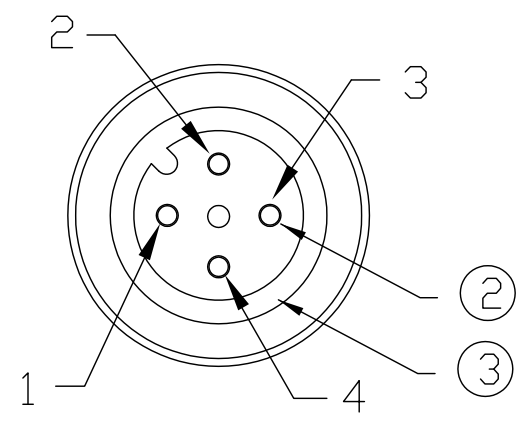
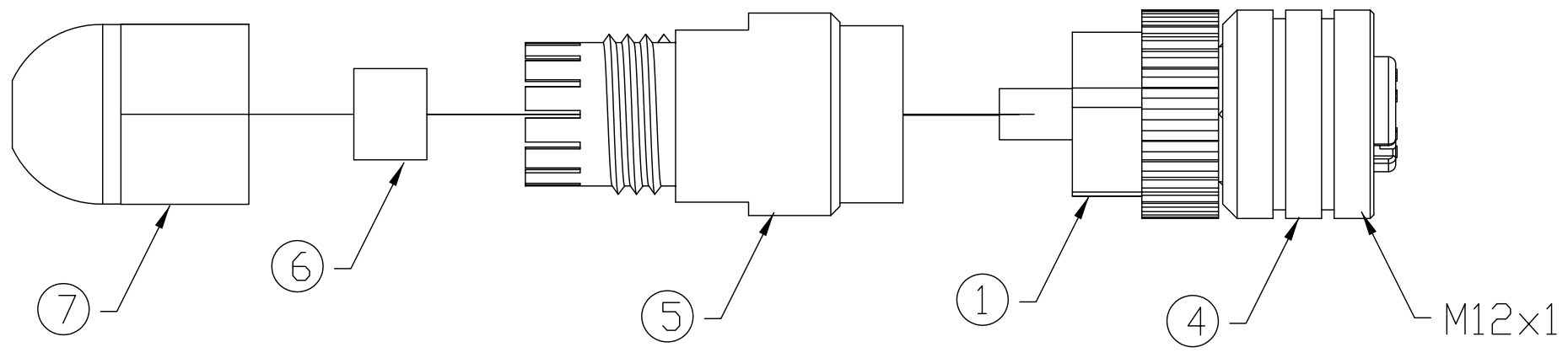
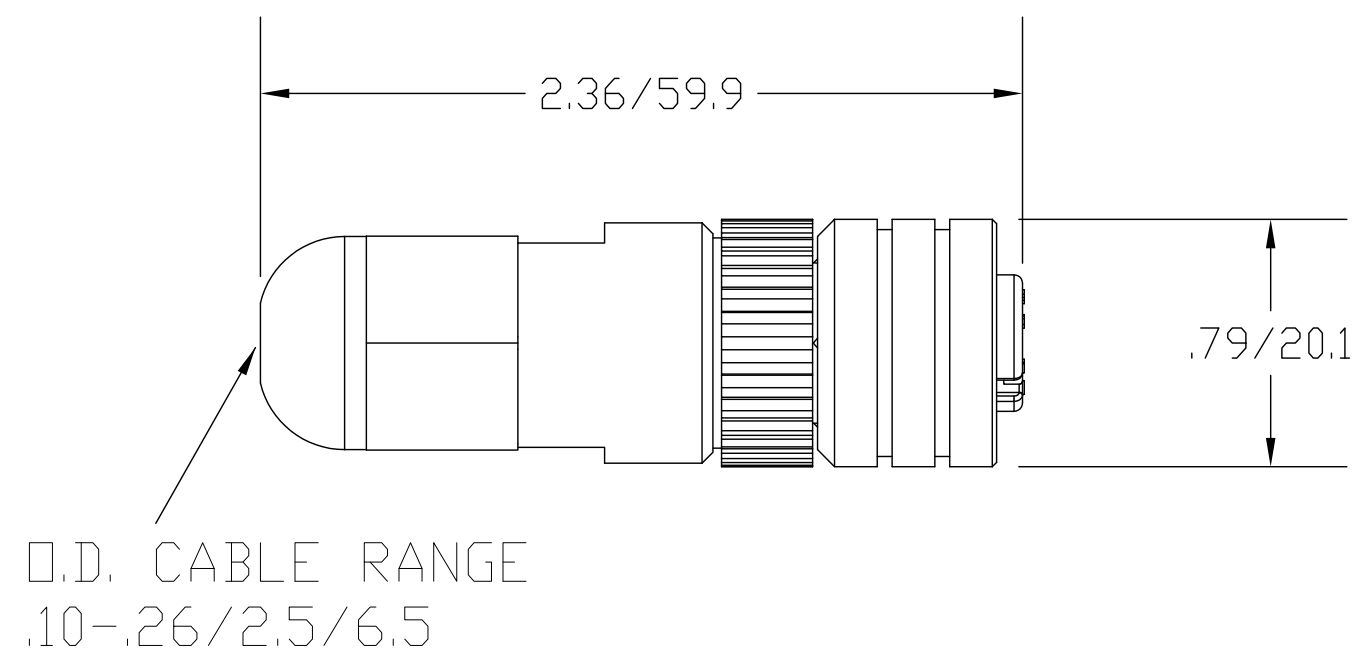
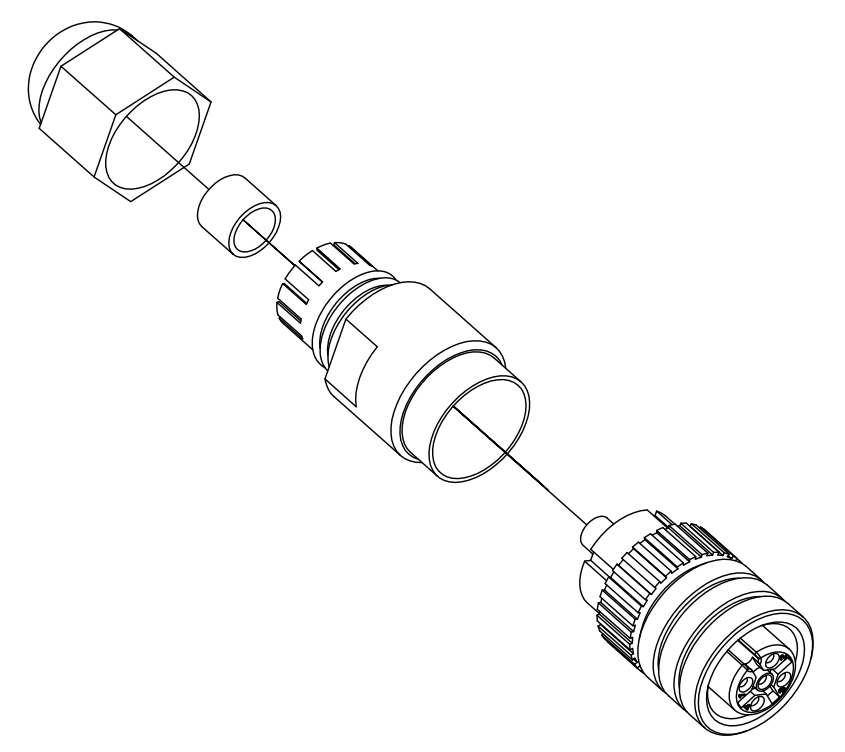


MATERIAL NUMBER	OLD PART NUMBER
120071-0035	8A4000-31



FEMALE FACE VIEW



WIRING DIAGRAM

VOLTAGE RATING	250VAC/ 300VDC
AMPERAGE RATING	4 AMPS
PROTECTION	IP67
OPERATING TEMPERATURE	-25°C TO 90°C
CSA CERTIFICATIONS	CSA CERTIFIED, FILE NO. LR6837

ITEM	COMPONENT	MATERIAL	FINISH
1	INSERT	NYLON	BLACK
2	CONTACTS	COPPER ALLOY	SILVER PLATED
3	O-RING	NITRILE	RED
4	COUPLING NUT	BRASS	NICKEL PLATED
5	MOLDED BODY	NYLON	BLACK
6	GROMMET	NITRILE	BLACK
7	CORD GRIP BODY	NYLON	BLACK

RLSD DRAWING
 EC NO: WNA2009-0624
 DRWN: BWOODMAN 3/26/09
 CH'KD: JM
 APPR: JFMURPHY 2009/04/01
 A REV

QUALITY SYMBOL
 ▽=0
 C=0

GENERAL TOLERANCES (UNLESS SPECIFIED)

	mm	INCH
4 PLACES	±----	±----
3 PLACES	±----	±----
2 PLACES	±----	±.01
1 PLACE	±0.3	±----

ANGULAR ±----°
 DRAFT WHERE APPLICABLE MUST REMAIN WITHIN DIMENSIONS

DIMENSION STYLE IN/MM
 DRAWN BY: BW DATE: 2009/03/26
 CHECKED BY: LH DATE: 2009/03/26
 APPROVED BY: DATE:

MATERIAL NO. SEE CHART
 SIZE C

SCALE: ---
 DESIGN UNITS: ---
 THIRD ANGLE PROJECTION

TITLE: M12 4P FEMALE ATTACHABLE PG7
 MOLEX INCORPORATED
 DOCUMENT NO. SD-120071-002
 SHEET NO. 1 OF 1

THIS DRAWING CONTAINS INFORMATION THAT IS PROPRIETARY TO MOLEX INCORPORATED AND SHOULD NOT BE USED WITHOUT WRITTEN PERMISSION