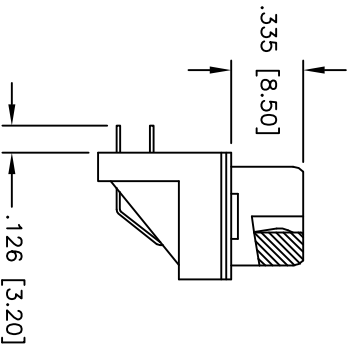
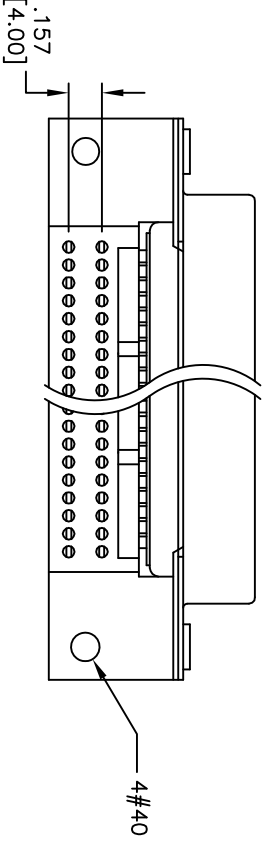
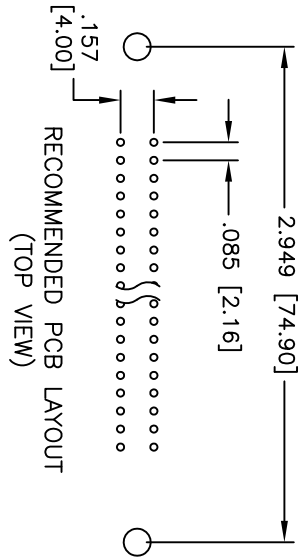
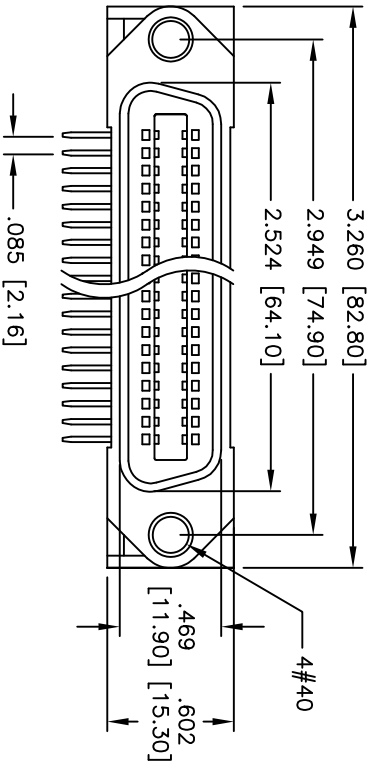


Rev	AWO #	Description	Date	Appr
-		RELEASED	7/08/10	

APPROVED: _____
 DATE: _____ TITLE: _____



SPECIFICATIONS:

- Material: Insulator: PBT, glass reinforced, rated UL 94V-0
- Insulator color: Blue
- Contacts: Phosphor Bronze
- Shell: Steel, Nickel plated
- Plating: 30u" Gold over Nickel underplate on mating area, Tin over Copper underplate on tails

Electrical:

- Current rating: 5 Amp max
- Contact resistance: 25 mohms max
- Insulation resistance: 1,000 Mohms min
- Dielectric withstanding voltage: 1,000 VAC for 1 minute
- Temperature Rating: Operating temperature: -55°C to +105°C
- Environmental: Lead free, RoHS compliant
- Recommended soldering temp: 235°C for 5 seconds

A

ADAM TECH

909 Rahway Avenue, Union, NJ 07083
 Phone: 908-687-5000 Fax: 908-687-5710

TITLE: MINIATURE RIBBON SOCKET, RIGHT ANGLE
 #4-40 INSERTS, REVERSE FACE

UNLESS OTHERWISE SPECIFIED ALL DIMENSIONS ARE INCHES [MM]	
TOLERANCES: EXCEPT AS NOTED	HOLDS ±.10
.X ±.10	Ø.X ±.10
.XX ±.020	Ø.XX ±.015
.XXX ±.015	Ø.XXX ±.010
APPROVALS	DATE
DRAWN DY	7/08/10
CHECKED	
APPROVED	

SIZE X	PART NO. MR50-SD-44-RF-30	REV. -
REF:	SCALE: NTS	SHEET 1 OF 1

6

5

4

3

2

1

