

PLEASE CHECK WWW.MOLEX.COM FOR LATEST PART INFORMATION

Part Number: [0681310211](#)
Status: **Active**
Description: Automotive Filtered Horn Header, Rivet Diameter 78.00mm (3.071"), 2 Circuits

Documents:

[3D Model](#) [RoHS Certificate of Compliance \(PDF\)](#)
[Drawing \(PDF\)](#)

General

Product Family	PCB Headers
Series	68131
Application	Wire-to-Board
Product Name	N/A

Physical

Breakaway	No
Circuits (Loaded)	2
Circuits (maximum)	2
First Mate / Last Break	No
Glow-Wire Compliant	No
Guide to Mating Part	No
Keying to Mating Part	None
Lock to Mating Part	Yes
Material - Metal	Brass
Material - Plating Mating	Tin
Number of Rows	1
Orientation	Vertical
PCB Retention	None
Packaging Type	Bag
Pitch - Mating Interface (in)	0.197 In
Pitch - Mating Interface (mm)	5.00 mm
Polarized to PCB	Yes
Shrouded	Partial
Stackable	No
Temperature Range - Operating	-40°C to +80°C
Termination Interface: Style	Screw or Lug

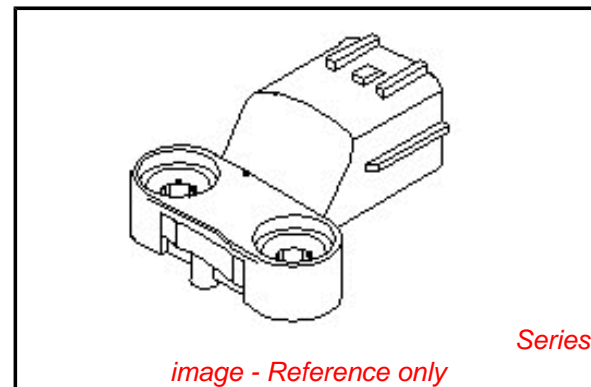
Electrical

Current - Maximum per Contact	10A
Voltage - Maximum	300V

Material Info

Reference - Drawing Numbers

Sales Drawing	SD-68131-001
---------------	--------------



EU RoHS

**ELV and RoHS
Compliant**
REACH SVHC
 Not Reviewed
**Halogen-Free
Status**
 Not Reviewed

China RoHS



**Need more information on product
environmental compliance?**

Email productcompliance@molex.com
 For a multiple part number RoHS Certificate of
 Compliance, [click here](#)

Please visit the [Contact Us](#) section for any
 non-product compliance questions.

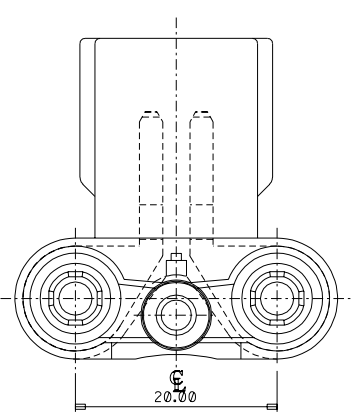
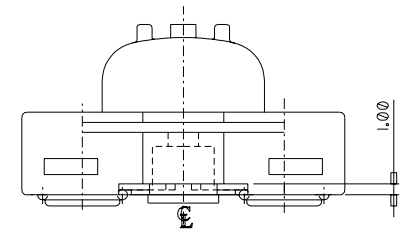
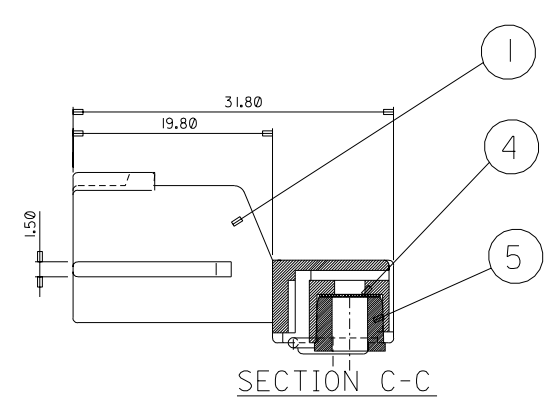
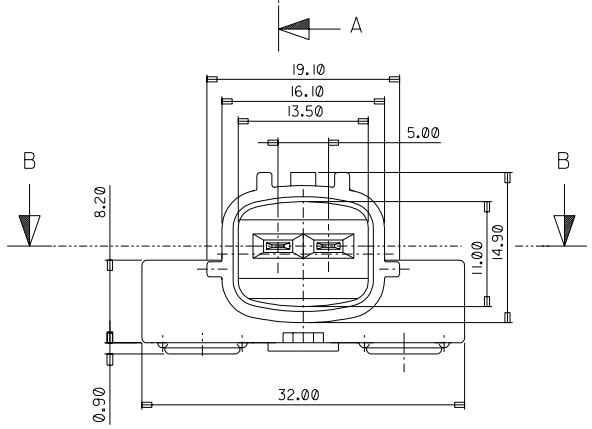
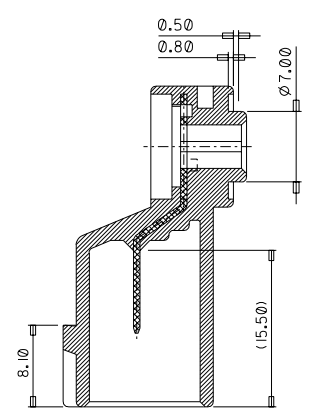
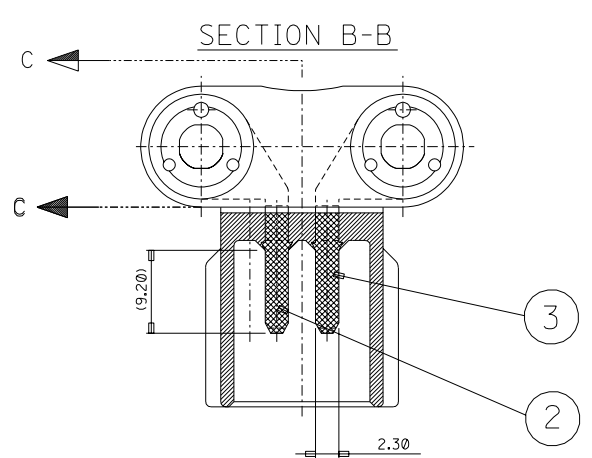
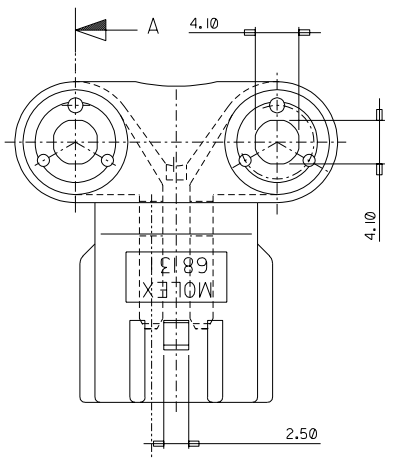
Search Parts in this Series

[68131Series](#)

Mates With

[35825](#) Silicone Rubber Wire Seal for
 Automotive Horn Connector

DWG. NO. SD-68131-001
 SIMILAR ITEM
 PROJECT NO.
 C
 B
 DO NOT SCALE DRAWING
 DIMENSION IN METRIC



3	681310215	68131-0215
2	681310211	68131-0211
1	681310210	68131-0210
NO.	MATERIAL NO.	ENG. NO.

NO.	P/NAME	P/NO.	Q'TY	MATERIAL	FINISH
1	HEADER 2P	68131-0295	1	30% GLASS FILLED POLYESTER	GRAY
		68131-0291	1	30% GLASS FILLED POLYESTER	BLACK
		68131-0290	1	30% GLASS FILLED POLYESTER	WHITE
2	PIN (LEFT)	35685-2401	1	BRASS	PRE TIN
3	PIN (RIGHT)	35684-2401	1	BRASS	PRE TIN
4	GASKET	35940-0023	1	PAPER(FIBER ALLOY)	WHITE
5	BOTTOM SEAL	35903-0107	1	OIL SILICONE	BLACK

NOTE

- APPLICATION: .090 FEMALE HOUSING ASS'Y 2P(35825-0211)
.090 SEALED FEMALE TER'L(35407-6702 S)
(35407-6902 L)
- PRODUCT SPECIFICATION: 68131-0291
- MATERIAL & FINISH: SEE TABLE

Release to manufacturing EC NO. KOR 2002-0163 DRWN: H.C.RHO 02/07/09 CHK: H.C.RHO 02/07/09 APPR: C.W.LEE 02/07/09	QUALITY SYMBOLS	GENERAL TOLERANCES: (UNLESS SPECIFIED)	SCALE 2:1	DESIGN UNITS <input checked="" type="checkbox"/> mm <input type="checkbox"/> INCH	THIRD ANGLE PROJECTION <input checked="" type="checkbox"/> THIRD ANGLE	DIMENSIONS: <input type="checkbox"/> mm <input type="checkbox"/> INCH <input checked="" type="checkbox"/> mm ONLY	SHT	REV
	MAJOR	4 PLACES ±0.	mm	INCH	DRAWN BY & DATE	TITLE: FILTER HORN HEADER ASS'Y 2P(Ø78)	REVISE ON CAD ONLY	
	CRITICAL	3 PLACES ±0.	mm	INCH	CHECKED BY & DATE			
		2 PLACES ±0.20	mm	INCH	APPROVED BY & DATE			
		1 PLACE ±0.30	mm	INCH	98/10/28 H.C.RHO			
			ANGULAR: ± 1 °		98/10/28 B.K.C.HOI			
			DRAFT WHERE APPLICABLE MUST REMAIN WITHIN DIMENSIONS		98/10/28 C.W.LEE			
			THIS DRAWING CONTAINS INFORMATION THAT IS PROPRIETARY TO MOLEX INCORPORATED AND SHOULD NOT BE USED WITHOUT WRITTEN PERMISSION.		CAD FILENAME	MATERIAL NO.	DRAWING NO.	SHEET NO.
					HORNA78	SEE TABLE	SD-68131-001	1 OF 1
								SIZE B