

**PLEASE CHECK WWW.MOLEX.COM FOR LATEST PART INFORMATION**

**Part Number:** [0510942805](#)  
**Status:** **Active**  
**Description:** Mi II™ D/R Clip, 28 circuit

**Documents:**

<a href="#">3D Model</a>	<a href="#">Product Specification PS-52478-002 (PDF)</a>
<a href="#">Drawing (PDF)</a>	<a href="#">RoHS Certificate of Compliance (PDF)</a>
<a href="#">Product Specification PS-52478-001 (PDF)</a>	

**Agency Certification**

CSA	LR19980
-----	---------

**General**

Product Family	Accessories
Series	51094
Component Type	Clip
Product Name	Mi II™

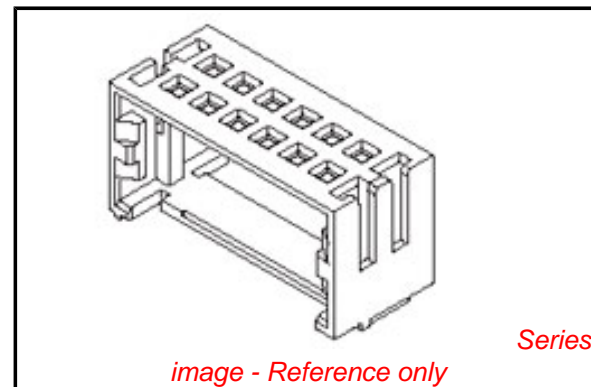
**Physical**

Circuits (Loaded)	28
Color - Resin	Gray
Flammability	94V-0
Gender	Female
Material - Resin	Polyester
Number of Rows	2
Packaging Type	Bag
Temperature Range - Operating	-40°C to +105°C

**Material Info**

**Reference - Drawing Numbers**

Product Specification	PS-52478-001, PS-52478-002
Sales Drawing	SD-51094-**05



**EU RoHS**

**ELV and RoHS  
Compliant**  
**REACH SVHC  
Contains SVHC: No  
Halogen-Free  
Status**

**China RoHS**



**Need more information on product  
environmental compliance?**

Email [productcompliance@molex.com](mailto:productcompliance@molex.com)  
 For a multiple part number RoHS Certificate of  
 Compliance, [click here](#)

Please visit the [Contact Us](#) section for any  
 non-product compliance questions.

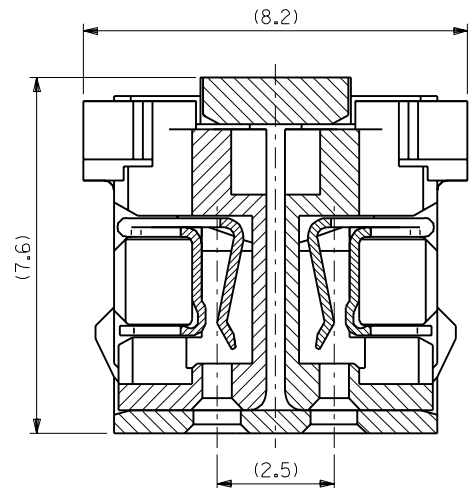
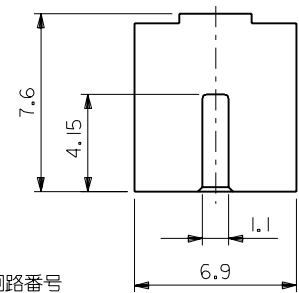
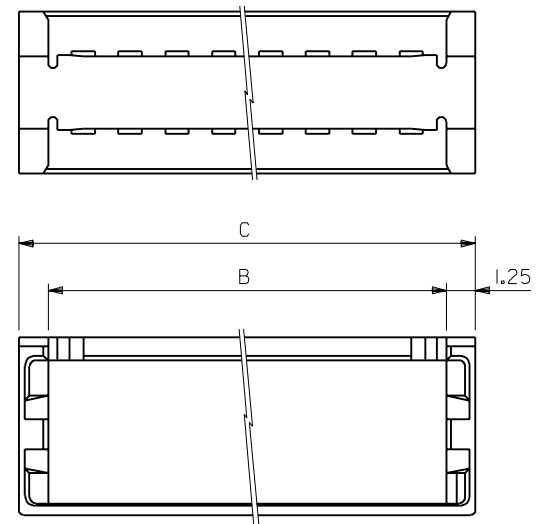
**Search Parts in this Series**  
[51094Series](#)

**Use With**  
[52484](#)

ENG. NO.  
SD-51094-\*\*\*05

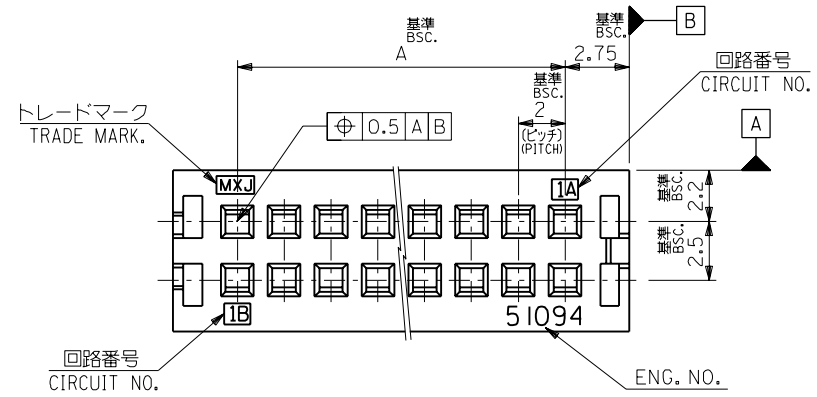
EDP NO.

MM DIMENSIONS IN METRIC DO NOT SCALE DRAWING



ハウジング アッセンブリ装着状態図  
FIGURE OF HOUSING ASSEMBLY WHEN ASSEMBLED

33.5	31	28	51094-3005	30
31.5	29	26	-2805	28
29.5	27	24	-2605	26
27.5	25	22	-2405	24
25.5	23	20	-2205	22
23.5	21	18	-2005	20
21.5	19	16	-1805	18
19.5	17	14	-1605	16
17.5	15	12	-1405	14
15.5	13	10	-1205	12
13.5	11	8	-1005	10
11.5	9	6	-0805	8
9.5	7	4	51094-0605	6
C	B	A	ENG. NO.	極数CKT.



注記 NOTES

1. 嵌合相手: 53313-\*\*\*15  
MATES WITH: 533133-\*\*\*15
2. 材質: PBT, UL94V-0 (色: グレー)  
MATERIAL: PBT, UL94V-0 (COLOR: GRAY)
3. 適合ハウジング アッセンブリ: 52484-\*\*\*10  
APPLICABLE HOUSING ASS'Y: 52484-\*\*\*10
4. 適合ハウジング (52484-\*\*\*10) の装着方法は、  
取扱説明書参照下さい。  
PLEASE REFER TO THE PRODUCT MANUAL ON THE CORRECT  
METHOD FOR ASS'Y HUSINGS(52484-\*\*\*10) TO THIS PART.

角度 ANGLE	±3°				
30以上 OVER	+0.3	A	変更 REVISD (130129)	1.1	93/3/17
10以上 30未滿 UNDER	+0.25	O	新規作成 PROPOSED (110867)	N.F.H.A	9/10/16
10未滿 UNDER	+0.2		記号 LTR 変更内容 REVISION RECORD	DR. CHK. DATE	日付 DATE
一般公差 GENERAL TOLERANCES			REVISE ONLY ON CAD SYSTEM		

材料 MATERIAL	注記参照 SEE NOTES	molex MOLEX-JAPAN CO.,LTD. 日本モレックス株式会社	
仕上げ FINISH	—	EDP. NO.	
適用電線範囲 WIRE RANGE	—	ENG. NO.	REV
被覆外径 INS. RANGE	—	SD-51094-***05	A
DRAWN BY 90/10/31 M.FUJIKURA	CHK'D BY	TITLE 名称 2.0 WIRE TO BOARD CLIP	
APP'D BY	尺度 SCALE		

THIS DRAWING CONTAINS INFORMATION THAT IS PROPRIETARY TO MOLEX(JAPAN) AND SHOULD NOT BE USED WITHOUT WRITTEN PERMISSION  
本図面は日本モレックス(株)の所有する情報を含むもので 当社の許可なく複製を禁止する。

MXJ-8