

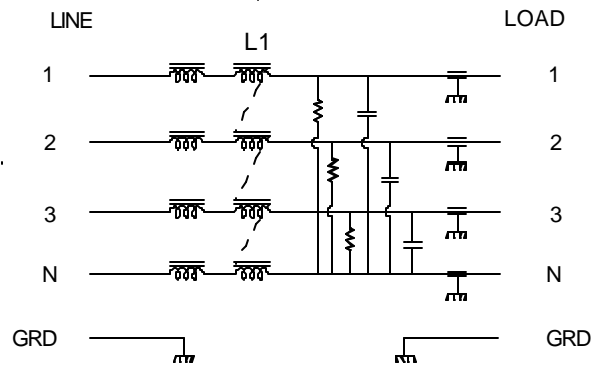


# 1138 SERIES

Operating Voltage = 250/480 V~, 50 / 60 Hz  
 Operating Voltage = 125/208 V~, 50 – 400 Hz  
 Operating Current = 10, 15 Amp / Phase  
 Temperature Range = -20 TO 50 Deg. C  
 Diel. Withstand (L-CASE) = 1500 V~ FOR 1 MIN.  
 Diel. Withstand (L-L) = 1500 Vdc For 1 Min.  
 Leakage Current = 3.8 ma @ 250 V~, 60 Hz  
 Discharge Volt after 1.0 second = 24 V Max.  
 Maximum Capacitance each line to case = 0.02  $\mu$ F

Order P/N:    10 Amp: CC-1138-10  
                   15 Amp: CC-1138-15

The 1138 series is a 3 phase WYE filter. This series is designed to be used with military systems which requires to meet the conducted emissions of MIL STD-461C / CE03. Minor modifications can be done to adjust the filter configuration in order to meet any special environmental or vibration specifications.



INSERTION LOSS vs FREQUENCY  
1138 SERIES

