

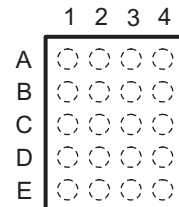
MMC, SD CARD, Memory Stick™ VOLTAGE-TRANSLATION TRANSCEIVER WITH ESD PROTECTION AND EMI FILTERING

Check for Samples: [TXS0206](#)

FEATURES

- **Level Translator**
 - V_{CCA} and V_{CCB} Range of 1.1 V to 3.6 V
 - Fast Propagation Delay (4 ns Max When Translating Between 1.8 V and 3 V)
- **Integrated EMI Filtering and ESD Protection Circuitry**
- **ESD Protection Exceeds JESD 22 (A Port)**
 - 2500-V Human-Body Model (A114-B)
 - 250-V Machine Model (A115-A)
 - 1500-V Charged-Device Model (C101)
- **±8-kV Contact Discharge IEC 61000-4-2 ESD (B-port)**

YFP PACKAGE
(TOP VIEW)



TERMINAL ASSIGNMENTS

	1	2	3	4
A	DAT2A	V_{CCA}	WP	DAT2B
B	DAT3A	CD	V_{CCB}	DAT3B
C	CMDA	GND	GND	CMDB
D	DAT0A	CLKA	CLKB	DAT0B
E	DAT1A	CLK-f	EN	DAT1B

DESCRIPTION/ORDERING INFORMATION

The TXS0206 is a level shifter for interfacing microprocessors with MultiMediaCards (MMCs), secure digital (SD) cards, and Memory Stick™ cards. It includes a high-speed level translator along with ESD protection and EMI filtering circuitry.

The voltage-level translator has two supply voltage pins. V_{CCA} as well as V_{CCB} can be operated over the full range of 1.1 V to 3.6 V. The TXS0206 enables system designers to easily interface applications processors or digital basebands to memory cards and SDIO peripherals operating at a different I/O voltage level.

Memory card standards recommend high-ESD protection for devices that connect directly to the external memory card. To meet this need, the TXS0206 incorporates ±8-kV Contact Discharge protection on the card side.

The TXS0206 is offered in a 20-bump wafer chip scale package (WCSP). This package has dimensions of 1.96 mm × 1.56 mm, with a 0.4-mm ball pitch for effective board-space savings. Memory cards are widely used in mobile phones, PDAs, digital cameras, personal media players, camcorders, set-top boxes, etc. Low static power consumption and small package size make the TXS0206 an ideal choice for these applications.

ORDERING INFORMATION⁽¹⁾

T_A	PACKAGE ⁽²⁾		ORDERABLE PART NUMBER	TOP-SIDE MARKING ⁽³⁾
–40°C to 85°C	WCSP – YFP (Pb-free)	Tape and reel	TXS0206YFPR	___3T_

(1) For the most current package and ordering information, see the Package Option Addendum at the end of this document, or see the TI web site at www.ti.com.

(2) Package drawings, thermal data, and symbolization are available at www.ti.com/packaging.

(3) YFP: The actual top-side marking has three preceding characters to denote year, month, and sequence code, and one following character to designate the assembly/test site. Pin 1 identifier indicates solder-bump composition (1 = SnPb, • = Pb-free).



Please be aware that an important notice concerning availability, standard warranty, and use in critical applications of Texas Instruments semiconductor products and disclaimers thereto appears at the end of this data sheet.

All trademarks are the property of their respective owners.

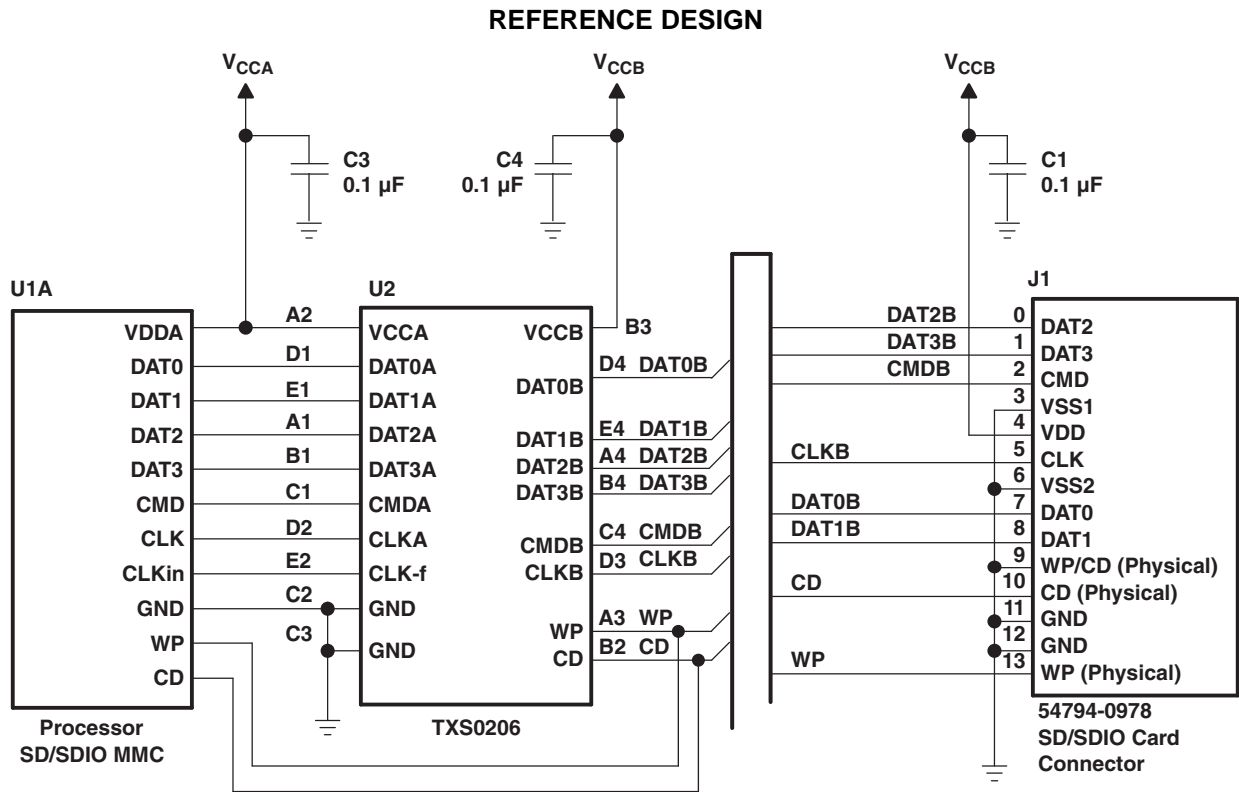
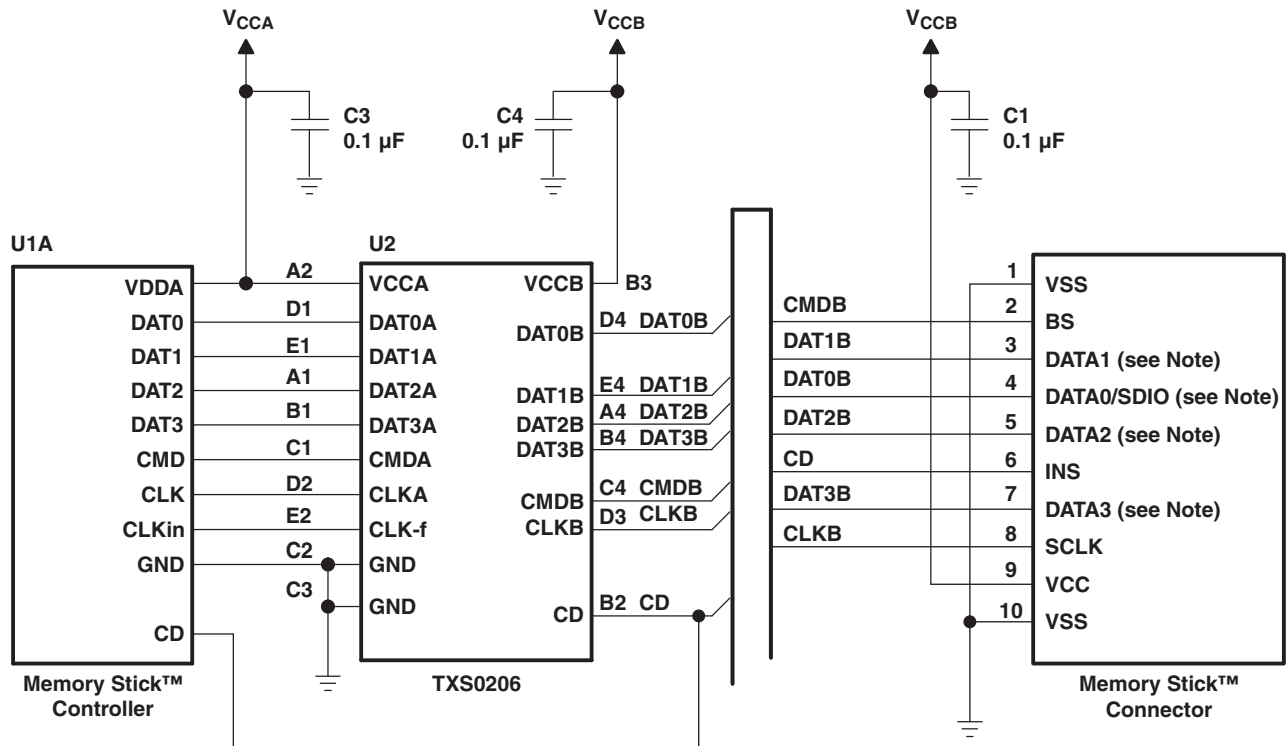


Figure 1. Interfacing With SD/SDIO Card



NOTE: The TXS0206 has integrated pullup resistor values that dynamically change value depending on whether a low or high signal is being transmitted through the device. When the output is low, the TXS0206 internal pullup value is 40 kΩ, and when the output is high, the internal pullup value change to a value of 4 kΩ. For MSA and MSH Memory Stick™ memory cards, to ensure that a valid V_{IH} (i.e., receiver input voltage high) is achieved, the internal pulldown resistors for these memory cards are not smaller than a 10-kΩ value. See the *Application Information* section of this data sheet, which explains the impact of adding too heavy (i.e., <10-kΩ value) of a pulldown resistor to the data lines of the TXS0206 device and the resulting 4-kΩ pullup/10-kΩ pulldown voltage divider network, which has a direct impact on the V_{IH} of the signal being sent into the Memory Stick™.

Figure 2. Interfacing With Memory Stick™ Card

TERMINAL FUNCTIONS

TERMINAL		TYPE	DESCRIPTION
NO.	NAME		
A1	DAT2A	I/O	Data bit 2 connected to host. Referenced to V_{CCA} . Includes a 40-k Ω pullup resistor to V_{CCA} .
A2	V_{CCA}	Pwr	A-port supply voltage. V_{CCA} powers all A-port I/Os and control inputs.
A3	WP	O	Connected to write protect on the mechanical connector. The WP pin has an internal 100-k Ω pullup resistor to V_{CCA} .
A4	DAT2B	I/O	Data bit 2 connected to memory card. Referenced to V_{CCB} . Includes a 40-k Ω pullup resistor to V_{CCB} .
B1	DAT3A	I/O	Data bit 3 connected to host. Referenced to V_{CCA} . Includes a 40-k Ω pullup resistor to V_{CCA} .
B2	CD	O	Connected to card detect on the mechanical connector. The CD pin has an internal 100-k Ω pullup resistor to V_{CCA} .
B3	V_{CCB}	Pwr	B-port supply voltage. V_{CCB} powers all B-port I/Os.
B4	DAT3B	I/O	Data bit 3 connected to memory card. Referenced to V_{CCB} . Includes a 40-k Ω pullup resistor to V_{CCB} .
C1	CMDA	I/O	Command bit connected to host. Referenced to V_{CCA} . Includes a 40-k Ω pullup resistor to V_{CCA} .
C2, C3	GND		Ground
C4	CMDB	I/O	Command bit connected to memory card. Referenced to V_{CCB} . Includes a 40-k Ω pullup resistor to V_{CCB} .
D1	DAT0A	I/O	Data bit 0 connected to host. Referenced to V_{CCA} . Includes a 40-k Ω pullup resistor to V_{CCA} .
D2	CLKA	I	Clock signal connected to host. Referenced to V_{CCA} .
D3	CLKB	O	Clock signal connected to memory card. Referenced to V_{CCB} .
D4	DAT0B	I/O	Data bit 0 connected to memory card. Referenced to V_{CCB} . Includes a 40-k Ω pullup resistor to V_{CCB} .
E1	DAT1A	I/O	Data bit 1 connected to host. Referenced to V_{CCA} . Includes a 40-k Ω pullup resistor to V_{CCA} .
E2	CLK-f	O	Clock feedback to host for resynchronizing data to a processor. Leave unconnected if not used.
E3	EN	I	Enable/disable control. Pull EN low to place all outputs in Hi-Z state. Referenced to V_{CCA} .
E4	DAT1B	I/O	Data bit 1 connected to memory card. Referenced to V_{CCB} . Includes a 40-k Ω pullup resistor to V_{CCB} .

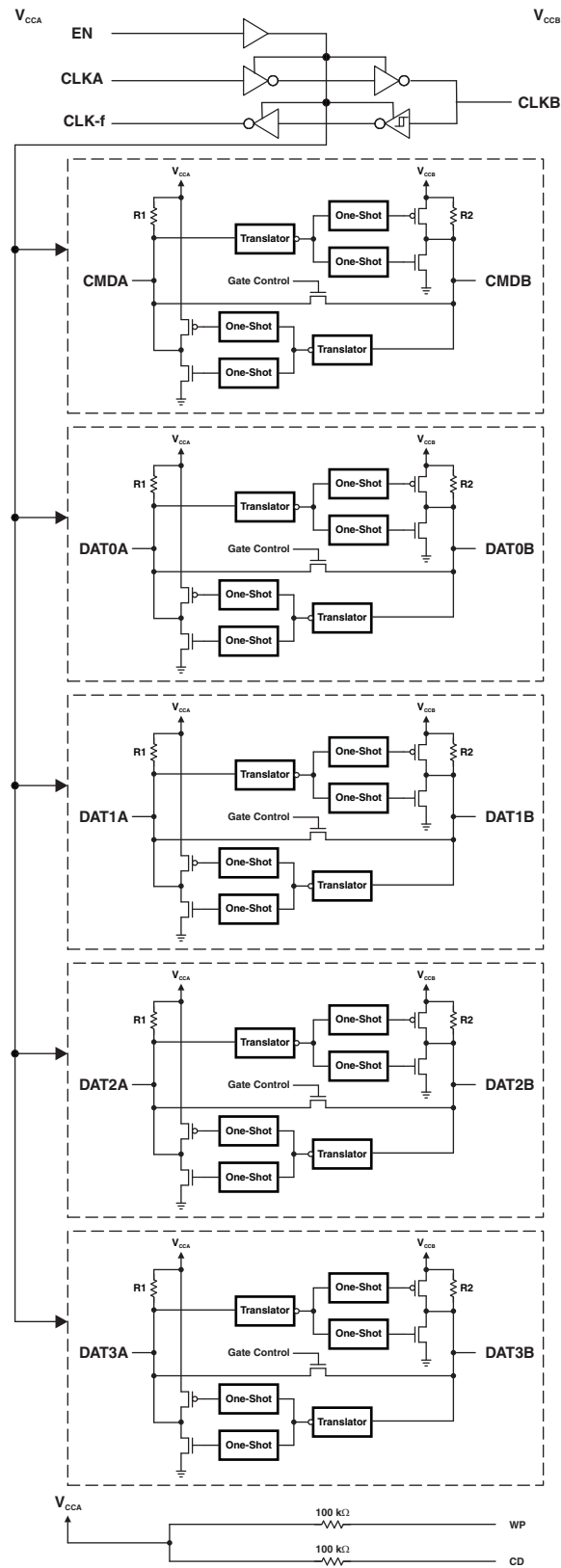
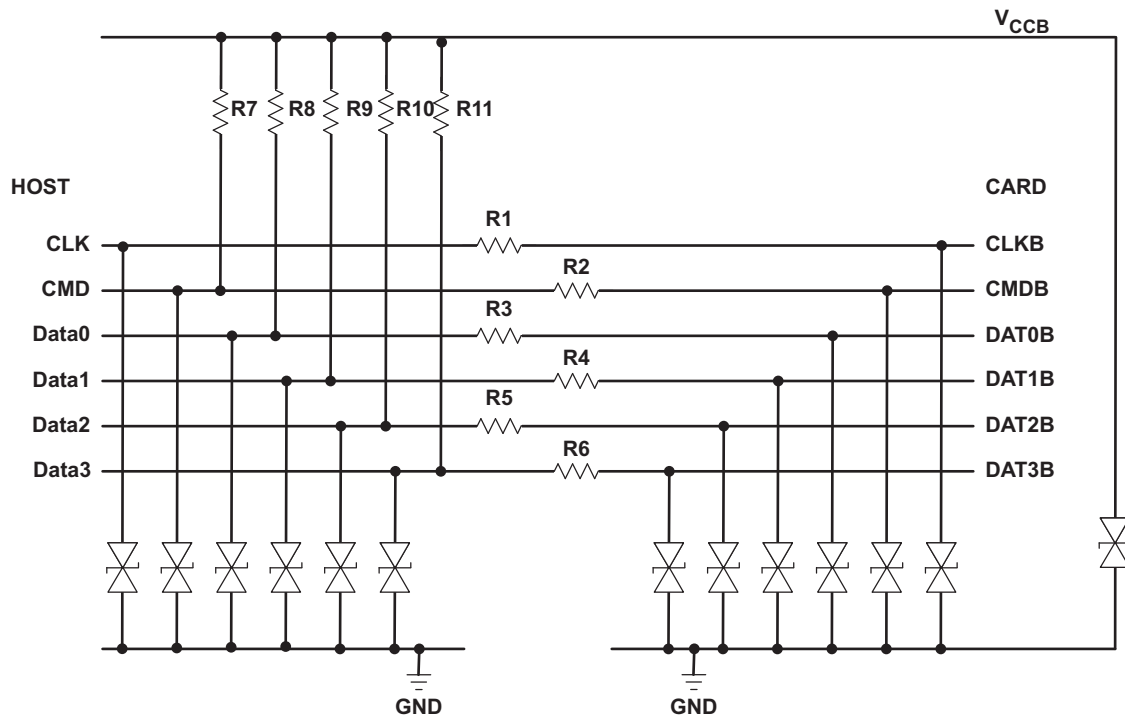


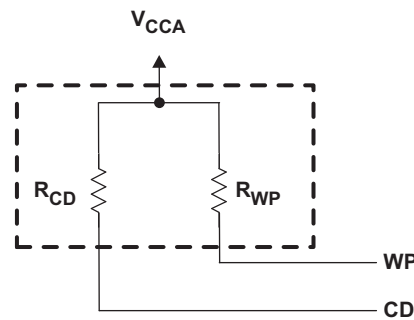
Figure 4. Logic Diagram



RESISTORS	
R1, R2, R3, R4, R5, R6	40 Ω
Tolerance	$\pm 20\%$
R7, R8, R9, R10, R11	40 k Ω
Tolerance	$\pm 30\%$

BIDIRECTIONAL ZENER DIODES	
Vbr min	14 V at 1 mA
Line capacitance	<20 pF

Figure 5. ASIP Block Diagram



RESISTORS	
R_{WP} , R_{CD}	100 k Ω
Tolerance	$\pm 30\%$

Figure 6. WP, CD Pullup Resistors

ABSOLUTE MAXIMUM RATINGS⁽¹⁾

Level Translator

over operating free-air temperature range (unless otherwise noted)

			MIN	MAX	UNIT
V _{CCA}	Supply voltage range		-0.5	4.6	V
V _{CCB}	Supply voltage range		-0.5	4.6	V
V _I	Input voltage range	I/O ports (A port)	-0.5	4.6	V
		I/O ports (B port)	-0.5	4.6	
		Control inputs	-0.5	4.6	
V _O	Voltage range applied to any output in the high-impedance or power-off state	A port	-0.5	4.6	V
		B port	-0.5	4.6	
V _O	Voltage range applied to any output in the high or low state	A port	-0.5	4.6	V
		B port	-0.5	4.6	
I _{IK}	Input clamp current	V _I < 0		-50	mA
I _{OK}	Output clamp current	V _O < 0		-50	mA
I _O	Continuous output current			±50	mA
	Continuous current through V _{CCA} or GND			±100	mA
T _{stg}	Storage temperature range		-65	150	°C

- (1) Stresses beyond those listed under "absolute maximum ratings" may cause permanent damage to the device. These are stress ratings only, and functional operation of the device at these or any other conditions beyond those indicated under "recommended operating conditions" is not implied. Exposure to absolute-maximum-rated conditions for extended periods may affect device reliability.

THERMAL IMPEDANCE RATINGS

			UNIT
θ _{JA}	Package thermal impedance ⁽¹⁾	117	°C/W

- (1) The package thermal impedance is calculated in accordance with JESD 51-7.

RECOMMENDED OPERATING CONDITIONS⁽¹⁾
Level Translator

			V_{CCA}	V_{CCB}	MIN	MAX	UNIT
V_{CCA}	Supply voltage				1.1	3.6	V
V_{CCB}	Supply voltage				1.1	3.6	V
V_{IH}	High-level input voltage	A-Port CMD and DATA I/Os	1.1 V to 1.95 V	1.1 V to 1.95 V	$V_{CCI} - 0.2$	V_{CCI}	V
		B-Port CMD and DATA I/Os	1.95 V to 3.6 V	1.95 V to 3.6 V			
		EN and CLKA	1.1 V to 3.6 V	1.1 V to 3.6 V	$V_{CCI} \times 0.65$	V_{CCI}	
V_{IL}	Low-level input voltage	A-Port CMD and DATA I/Os	1.1 V to 1.95 V	1.1 V to 1.95 V	0	0.15	V
		B-Port CMD and DATA I/Os	1.95 V to 3.6 V	1.95 V to 3.6 V			
		EN and CLKA	1.1 V to 3.6 V	1.1 V to 3.6 V	0	$V_{CCI} \times 0.35$	
V_O	Output voltage	Active state			0	V_{CCO}	V
		3-state			0	3.6	
I_{OH}	High-level output current (CLK-f output)		1.1 V to 3.6 V	1.1 V to 3.6 V		-100	μ A
			1.1 V to 1.3 V			-0.5	
			1.4 V to 1.6 V			-1	
			1.65 V to 1.95 V			-2	
			2.3 V to 2.7 V			-4	
			3 V to 3.6 V			-8	
I_{OL}	Low-level output current (CLK-f output)		1.1 V to 3.6 V	1.1 V to 3.6 V		100	μ A
			1.1 V to 1.3 V			0.5	
			1.4 V to 1.6 V			1	
			1.65 V to 1.95 V			2	
			2.3 V to 2.7 V			4	
			3 V to 3.6 V			8	
I_{OH}	High-level output current (CLK output)		1.1 V to 3.6 V	1.1 V to 3.6 V		-100	μ A
				1.1 V to 1.3 V		-0.5	
				1.4 V to 1.6 V		-1	
				1.65 V to 1.95 V		-2	
				2.3 V to 2.7 V		-4	
				3 V to 3.6 V		-8	
I_{OL}	Low-level output current (CLK output)		1.1 V to 3.6 V	1.1 V to 3.6 V		100	μ A
				1.1 V to 1.3 V		0.5	
				1.4 V to 1.6 V		1	
				1.65 V to 1.95 V		2	
				2.3 V to 2.7 V		4	
				3 V to 3.6 V		8	
$\Delta t/\Delta v$	Input transition rise or fall rate					5	ns/V
T_A	Operating free-air temperature				-40	85	°C

(1) All unused data inputs of the device must be held at V_{CCI} or GND to ensure proper device operation. Refer to the TI application report, *Implications of Slow or Floating CMOS Inputs*, literature number SCBA004.

ELECTRICAL CHARACTERISTICS

Level Translator

over recommended operating free-air temperature range (unless otherwise noted)

PARAMETER		TEST CONDITIONS	V _{CCA}	V _{CCB}	MIN	TYP ⁽¹⁾	MAX	UNIT
V _{OH}	A port (CLK-f output)	I _{OH} = -100 μA	1.1 V to 3.6 V	1.1 V to 3.6 V	V _{CCA} * 0.8			V
		I _{OH} = -0.5 mA	1.1 V		0.8			
		I _{OH} = -1 mA	1.4 V		1.05			
		I _{OH} = -2 mA	1.65 V		1.2			
		I _{OH} = -4 mA	2.3 V		1.75			
		I _{OH} = -8 mA	3 V		2.3			
	A port (DAT and CMD outputs)	I _{OH} = -20 μA	1.1 V to 3.6 V		V _{CCA} × 0.8			
V _{OL}	A port (CLK-f output)	I _{OL} = 100 μA	1.1 V to 3.6 V	1.1 V to 3.6 V			V _{CCA} × 0.8	V
		I _{OL} = 0.5 mA	1.1 V			0.35		
		I _{OL} = 1 mA	1.4 V			0.35		
		I _{OL} = 2 mA	1.65 V			0.45		
		I _{OL} = 4 mA	2.3 V			0.55		
		I _{OL} = 8 mA	3 V			0.7		
	A port (DAT and CMD outputs)	I _{OL} = 135 μA	1.1 V to 3.6 V			0.4		
		I _{OL} = 180 μA				0.4		
		I _{OL} = 220 μA				0.4		
		I _{OL} = 300 μA				0.4		
		I _{OL} = 400 μA				0.55		
V _{OH}	B port (CLK output)	I _{OH} = -100 μA	1.1 V to 3.6 V	1.1 V to 3.6 V	V _{CCA} × 0.8		V	
		I _{OH} = -0.5 mA		1.1 V	0.8			
		I _{OH} = -1 mA		1.4 V	1.05			
		I _{OH} = -2 mA		1.65 V	1.2			
		I _{OH} = -4 mA		2.3 V	1.75			
		I _{OH} = -8 mA		3 V	2.3			
	B port (DAT output)	I _{OH} = -20 μA	1.1 V to 3.6 V	V _{CCA} × 0.8				

(1) All typical values are at T_A = 25°C.

**ELECTRICAL CHARACTERISTICS
Level Translator (continued)**

over recommended operating free-air temperature range (unless otherwise noted)

PARAMETER		TEST CONDITIONS	V _{CCA}	V _{CCB}	MIN	TYP ⁽¹⁾	MAX	UNIT
V _{OL}	B port	I _{OL} = 100 μA	1.1 V to 3.6 V	1.1 V to 3.6 V	V _{CCA} × 0.8			V
		I _{OL} = 0.5 mA			1.1 V	0.35		
		I _{OL} = 1 mA			1.4 V	0.35		
		I _{OL} = 2 mA			1.65 V	0.45		
		I _{OL} = 4 mA			2.3 V	0.55		
		I _{OL} = 8 mA			3 V	0.7		
	B port (DAT output)	I _{OL} = 135 μA	1.1 V to 3.6 V	1.1 V to 3.6 V	0.4			V
		I _{OL} = 180 μA			1.4 V	0.4		
		I _{OL} = 220 μA			1.65 V	0.4		
		I _{OL} = 300 μA			2.3 V	0.4		
I _{OL} = 400 μA		3 V			0.55			
I _I	Control inputs	V _I = V _{CCA} or GND		1.1 V to 3.6 V		±1	μA	
I _{CCA}		V _I = V _{CCI} or GND, I _O = 0	1.1 V to 3.6 V	1.1 V to 3.6 V		6	μA	
I _{CCB}		V _I = V _{CCI} or GND, I _O = 0	1.1 V to 3.6 V	1.1 V to 3.6 V		5	μA	
C _{io}	A port				5.5	6.5	pF	
	B port				15	17.5		
C _i	Control inputs	V _I = V _{CCA} or GND			3.5	4.5	pF	
	Clock input				3	4		

TIMING REQUIREMENTS

$V_{CCA} = 1.2\text{ V} \pm 0.1\text{ V}$

over recommended operating free-air temperature range (unless otherwise noted)

			$V_{CCB} = 1.2\text{ V} \pm 0.1\text{ V}$		$V_{CCB} = 1.5\text{ V} \pm 0.1\text{ V}$		$V_{CCB} = 1.8\text{ V} \pm 0.15\text{ V}$		$V_{CCB} = 2.5\text{ V} \pm 0.2\text{ V}$		$V_{CCB} = 3.3\text{ V} \pm 0.3\text{ V}$		UNIT
			MIN	MAX	MIN	MAX	MIN	MAX	MIN	MAX	MIN	MAX	
Data rate	Command	Push-pull driving	30		40		40		40		40		Mbps
		Open-drain driving	0.9		1		1		1		1		
	Clock	Push-pull driving	30		40		50		60		60		MHz
		Data	30		40		40		40		40		
t_w Pulse duration	Command	Push-pull driving	33		25		25		25		25		ns
		Open-drain driving	1		1		1		1		1		
	Clock	Push-pull driving	16.7		12.5		10		8.3		8.3		ns
		Data	33		25		25		25		25		

TIMING REQUIREMENTS

$V_{CCA} = 1.5\text{ V} \pm 0.1\text{ V}$

over recommended operating free-air temperature range (unless otherwise noted)

			$V_{CCB} = 1.2\text{ V} \pm 0.1\text{ V}$		$V_{CCB} = 1.5\text{ V} \pm 0.1\text{ V}$		$V_{CCB} = 1.8\text{ V} \pm 0.15\text{ V}$		$V_{CCB} = 2.5\text{ V} \pm 0.2\text{ V}$		$V_{CCB} = 3.3\text{ V} \pm 0.3\text{ V}$		UNIT
			MIN	MAX	MIN	MAX	MIN	MAX	MIN	MAX	MIN	MAX	
Data rate	Command	Push-pull driving	30		60		60		60		60		Mbps
		Open-drain driving	1		1		1		1		1		
	Clock	Push-pull driving	50		60		60		60		60		MHz
		Data	30		60		60		60		60		
t_w Pulse duration	Command	Push-pull driving	33		17		17		17		17		ns
		Open-drain driving	1		1		1		1		1		
	Clock	Push-pull driving	10		8.3		8.3		8.3		8.3		ns
		Data	33		17		17		17		17		

TIMING REQUIREMENTS

$V_{CCA} = 1.8\text{ V} \pm 0.15\text{ V}$

over recommended operating free-air temperature range (unless otherwise noted)

			$V_{CCB} = 1.2\text{ V} \pm 0.1\text{ V}$		$V_{CCB} = 1.5\text{ V} \pm 0.1\text{ V}$		$V_{CCB} = 1.8\text{ V} \pm 0.15\text{ V}$		$V_{CCB} = 2.5\text{ V} \pm 0.2\text{ V}$		$V_{CCB} = 3.3\text{ V} \pm 0.3\text{ V}$		UNIT
			MIN	MAX	MIN	MAX	MIN	MAX	MIN	MAX	MIN	MAX	
Data rate	Command	Push-pull driving	30		60		60		60		60		Mbps
		Open-drain driving	1		1		1		1		1		
	Clock	Push-pull driving	50		60		60		60		60		MHz
		Data	30		60		60		60		60		
t_w Pulse duration	Command	Push-pull driving	33		17		17		17		17		ns
		Open-drain driving	1		1		1		1		1		
	Clock	Push-pull driving	10		8.3		8.3		8.3		8.3		ns
		Data	33		17		17		17		17		

TIMING REQUIREMENTS

$V_{CCA} = 2.5 \text{ V} \pm 0.2 \text{ V}$

over recommended operating free-air temperature range (unless otherwise noted)

			$V_{CCB} = 1.2 \text{ V} \pm 0.1 \text{ V}$		$V_{CCB} = 1.5 \text{ V} \pm 0.1 \text{ V}$		$V_{CCB} = 1.8 \text{ V} \pm 0.15 \text{ V}$		$V_{CCB} = 2.5 \text{ V} \pm 0.2 \text{ V}$		$V_{CCB} = 3.3 \text{ V} \pm 0.3 \text{ V}$		UNIT
			MIN	MAX	MIN	MAX	MIN	MAX	MIN	MAX	MIN	MAX	
Data rate	Command	Push-pull driving	30		60		60		60		60		Mbps
		Open-drain driving	1		1		1		1		1		
	Clock	Push-pull driving	60		60		60		60		60		MHz
		Data	30		60		60		60		60		
t_w Pulse duration	Command	Push-pull driving	33		17		17		17		17		ns
		Open-drain driving	1		1		1		1		1		
	Clock	Push-pull driving	8.3		8.3		8.3		8.3		8.3		ns
		Data	33		17		17		17		17		

TIMING REQUIREMENTS

$V_{CCA} = 3.3 \text{ V} \pm 0.3 \text{ V}$

over recommended operating free-air temperature range (unless otherwise noted)

			$V_{CCB} = 1.2 \text{ V} \pm 0.1 \text{ V}$		$V_{CCB} = 1.5 \text{ V} \pm 0.1 \text{ V}$		$V_{CCB} = 1.8 \text{ V} \pm 0.15 \text{ V}$		$V_{CCB} = 2.5 \text{ V} \pm 0.2 \text{ V}$		$V_{CCB} = 3.3 \text{ V} \pm 0.3 \text{ V}$		UNIT
			MIN	MAX	MIN	MAX	MIN	MAX	MIN	MAX	MIN	MAX	
Data rate	Command	Push-pull driving	30		60		60		60		60		Mbps
		Open-drain driving	0.9		1		1		1		1		
	Clock	Push-pull driving	55		55		55		55		55		MHz
		Data	30		60		60		60		60		
t_w Pulse duration	Command	Push-pull driving	33		17		17		17		17		ns
		Open-drain driving	1		1		1		1		1		
	Clock	Push-pull driving	9		9		9		9		9		ns
		Data	33		17		17		17		17		

SWITCHING CHARACTERISTICS

$V_{CCA} = 1.2 \text{ V} \pm 0.1 \text{ V}$

over recommended operating free-air temperature range (unless otherwise noted)

PARAMETER	FROM (INPUT)	TO (OUTPUT)	TEST CONDITIONS	$V_{CCB} = 1.2 \text{ V} \pm 0.1 \text{ V}$		$V_{CCB} = 1.5 \text{ V} \pm 0.1 \text{ V}$		$V_{CCB} = 1.8 \text{ V} \pm 0.15 \text{ V}$		$V_{CCB} = 2.5 \text{ V} \pm 0.2 \text{ V}$		$V_{CCB} = 3.3 \text{ V} \pm 0.3 \text{ V}$		UNIT
				MIN	MAX	MIN	MAX	MIN	MAX	MIN	MAX	MIN	MAX	
t_{pd}	CMDA	CMDB	Push-pull driving	15.3		12.2		10.8		10.4		10.8		ns
			Open-drain driving (H-to-L)	4.1	16.6	3.7	12.6	3.4	11.5	3.3	10.6	3.2	10.3	
			Open-drain driving (L-to-H)	204	308	164	256	133	224	95	175	71	147	
	CMDB	CMDA	Push-pull driving	19.7		15.1		13.4		12		11.2		
			Open-drain driving (H-to-L)	4.7	19.4	3.8	12.4	3.4	10.5	3.1	9.2	2.9	9.4	
			Open-drain driving (L-to-H)	211	353	170	304	139	282	101	243	77	204	
	CLKA	CLKB	Push-pull driving	15.6		12.3		11.5		10.9		11.7		
	DATxA	DATxB	Push-pull driving	15.9		12.6		11.2		10.7		11.1		
	DATxB	DATxA		18.2		14.3		12.8		11.5		10.6		
CLKA	CLK-f	Push-pull driving	37.9		30.7		26.8		24.7		24.2			
t_{en}	EN	B-port	Push-pull driving	1		1		1		1		1		μs
	EN	A-port	Push-pull driving	1		1		1		1		1		
t_{dis}	EN	B-port	Push-pull driving	68		55		46		40		38		ns
	EN	A-port	Push-pull driving	62		56		48		40		37		
t_{rA}	CMDA rise time		Push-pull driving	1.7	14.1	1.5	13	1.5	12.7	1.6	12.2	1.9	11.9	ns
			Open-drain driving	170	260	128	205	96	171	57	120	32	91	
	CLK-f rise time		Push-pull driving	0.6	10.6	0.6	10.9	0.6	12	0.6	12.3	0.6	12.7	
DATxA rise time			1.7	13.7	1.5	12.6	1.5	12	1.6	11.6	1.9	11.5		
t_{rB}	CMDB rise time		Push-pull driving	1.9	12.4	2.3	9.2	1.9	7.3	1.8	6.7	1.7	3.9	ns
			Open-drain driving	175	300	145	261	118	245	86	214	66	181	
	CLKB rise time		Push-pull driving	1	7.7	0.8	7.1	0.8	6.2	1.7	4.8	1.7	4.3	
	DATxB rise time			2.9	11.8	2.3	8.9	1.9	7.4	0.9	4.7	0.4	6.8	
t_{fA}	CMDA fall time		Push-pull driving	1	8	1	5.4	1	4.5	1	3.9	0.8	4	ns
			Open-drain driving	2.3	8.3	1.9	4.9	1.7	4.4	1.6	3.9	1.6	3.7	
	CLK-f fall time		Push-pull driving	1	5.8	1	4.6	1	4.1	1	3.8	1	4	
	DATxA fall time			1.8	8	1.3	5.4	1	4.5	1	3.9	1	3.8	
t_{fB}	CMDB fall time		Push-pull driving	2.1	7.9	1.8	5.2	1.7	4.6	1.6	4.5	1.5	4.3	ns
			Open-drain driving	1.9	8.3	1.5	5.9	1.3	5.1	1.1	4.3	1	4.2	
	CLKB fall time		Push-pull driving	2	7.1	1.8	5.4	1.8	4.5	1.7	4	1.6	3.9	
	DATxB fall time			2.1	8.5	1.1	6.4	0.9	5	1	3.9	1.1	4.8	
$t_{SK(O)}$	Channel-to-channel skew		Push-pull driving	1		1		1		1		1		ns
Max data rate	Command		Push-pull driving	30		40		40		40		40		Mbps
			Open-drain driving	0.9		1		1		1		1		
	Data		Push-pull driving	30		40		50		60		60		MHz
				30		40		40		40		40		

SWITCHING CHARACTERISTICS

$V_{CCA} = 1.5 \text{ V} \pm 0.1 \text{ V}$

over recommended operating free-air temperature range (unless otherwise noted)

PARAMETER	FROM (INPUT)	TO (OUTPUT)	TEST CONDITIONS	$V_{CCB} = 1.2 \text{ V} \pm 0.1 \text{ V}$		$V_{CCB} = 1.5 \text{ V} \pm 0.1 \text{ V}$		$V_{CCB} = 1.8 \text{ V} \pm 0.15 \text{ V}$		$V_{CCB} = 2.5 \text{ V} \pm 0.2 \text{ V}$		$V_{CCB} = 3.3 \text{ V} \pm 0.3 \text{ V}$		UNIT
				MIN	MAX	MIN	MAX	MIN	MAX	MIN	MAX	MIN	MAX	
t_{pd}	CMDA	CMDB	Push-pull driving	12		8.6		6.9		6.1		6		ns
			Open-drain driving (H-to-L)	3.7	12.8	3.2	8.7	2.9	7.6	2.7	6.6	2.7	6.5	
			Open-drain driving (L-to-H)	192	297	191	295	157	252	112	180	83	138	
	CMDB	CMDA	Push-pull driving	15.2		9.8		8		6.8		6.3		
			Open-drain driving (H-to-L)	3.7	20.4	2.9	11.8	2.5	9.4	2.2	7.3	2.1	6.6	
			Open-drain driving (L-to-H)	199	337	196	316	162	282	117	214	87	177	
	CLKA	CLKB	Push-pull driving	12.3		8.7		7.7		6.1		6.2		
	DATxA	DATxB	Push-pull driving	12.5		8.9		7.2		6.2		6.1		
	DATxB	DATxA		13.9		9.2		7.6		6.5		6.1		
CLKA	CLK-f	Push-pull driving	29		20		16		13		12			
t_{en}	EN	B-port	Push-pull driving	1		1		1		1		1		μs
	EN	A-port	Push-pull driving	1		1		1		1		1		
t_{dis}	EN	B-port	Push-pull driving	57		53		46		39		37		ns
	EN	A-port	Push-pull driving	58		54		46		38		35		
t_{rA}	CMDA rise time		Push-pull driving	1.6	10.5	0.4	9.5	0.2	8.9	0.4	8.3	1	7.9	ns
			Open-drain driving	166	254	157	247	121	203	74	127	44	85	
	CLK-f rise time		Push-pull driving	0.5	5.5	0.5	5.5	0.5	6.2	0.5	7	0.5	7.2	
DATxA rise time			2	10.3	0.7	9.4	0.5	8.9	0.6	8.4	0.7	8.3		
t_{rB}	CMDB rise time		Push-pull driving	1.9	11.2	2	8	1.9	6.5	0.5	5.6	0.5	3.1	ns
			Open-drain driving	157	273	163	264	135	253	96	196	71	165	
	CLKB rise time		Push-pull driving	1.3	7.5	0.6	6.7	0.4	5.9	1.5	4.9	1.9	4.3	
DATxB rise time			2.2	10.9	2	8.4	1.7	6.9	0.8	5	0.6	4		
t_{fA}	CMDA fall time		Push-pull driving	1.5	5.5	1.3	3.8	0.9	2.9	0.8	2.3	0.8	2.3	ns
			Open-drain driving	2.3	8	2	4.8	1.8	4.2	1.7	3.7	1.6	3.5	
	CLK-f fall time		Push-pull driving	0.4	3.9	0.4	3.7	0.4	4	0.4	3.7	0.4	6.8	
	DATxA fall time			0.8	6	0.6	4.8	0.1	4.1	0.1	3.8	0.1	3.8	
t_{fB}	CMDB fall time		Push-pull driving	1	11.6	1.5	7.1	1.5	5.8	1.4	5.4	1.6	3.6	ns
			Open-drain driving	1.7	5.2	1.5	3.8	1.2	3	1	2.3	0.9	2.3	
	CLKB fall time		Push-pull driving	1.1	10.8	1	8.8	1.8	6	1.7	4.1	1.6	3.9	
	DATxB fall time			1.1	13.3	1.2	7.7	1.2	6.5	2.3	4.3	2.5	4.2	
$t_{SK(O)}$	Channel-to-channel skew		Push-pull driving	1		1		1		1		1		ns
Max data rate	Command		Push-pull driving	30		60		60		60		60		Mbps
			Open-drain driving	1		1		1		1		1		
	Data		Push-pull driving	50		60		60		60		60		MHz
				30		60		60		60		60		

SWITCHING CHARACTERISTICS

$V_{CCA} = 1.8 \text{ V} \pm 0.15 \text{ V}$

over recommended operating free-air temperature range (unless otherwise noted)

PARAMETER	FROM (INPUT)	TO (OUTPUT)	TEST CONDITIONS	$V_{CCB} = 1.2 \text{ V} \pm 0.1 \text{ V}$		$V_{CCB} = 1.5 \text{ V} \pm 0.1 \text{ V}$		$V_{CCB} = 1.8 \text{ V} \pm 0.15 \text{ V}$		$V_{CCB} = 2.5 \text{ V} \pm 0.2 \text{ V}$		$V_{CCB} = 3.3 \text{ V} \pm 0.3 \text{ V}$		UNIT
				MIN	MAX	MIN	MAX	MIN	MAX	MIN	MAX	MIN	MAX	
t_{pd}	CMDA	CMDB	Push-pull driving	11.3		7.3		5.7		4.6		4.4		ns
			Open-drain driving (H-to-L)	3.4	11.8	2.9	7.6	2.7	6.5	2.5	5.5	2.4	5.1	
			Open-drain driving (L-to-H)	179	286	183	288	168	286	121	201	89	151	
	CMDB	CMDA	Push-pull driving	13.2		8.3		6.5		5.2		4.8		
			Open-drain driving (H-to-L)	3.5	19.7	2.8	11.1	2.4	8.6	2.1	6.4	2	5.7	
			Open-drain driving (L-to-H)	186	323	190	304	173	303	125	215	93	166	
	CLKA	CLKB	Push-pull driving	11.6		7.7		6.2		4.7		4.5		
	DATxA	DATxB	Push-pull driving	11.7		7.5		5.8		4.7		4.4		
	DATxB	DATxA		12.1		7.9		6.3		5		4.6		
CLKA	CLK-f	Push-pull driving	25.1		16.5		12		8.9		7.9			
t_{en}	EN	B-port	Push-pull driving	1		1		1		1		1		μs
	EN	A-port	Push-pull driving	1		1		1		1		1		
t_{dis}	EN	B-port	Push-pull driving	39		37		37		35		35		ns
	EN	A-port	Push-pull driving	49		47		47		38		35		
t_{rA}	CMDA rise time		Push-pull driving	1.8	8.4	1.2	6.8	1.1	5.9	1.1	5.9	1.6	5.8	ns
			Open-drain driving	154	246	155	262	135	238	85	150	52	99	
	CLK-f rise time		Push-pull driving	0.4	4	0.4	4.3	0.4	4.7	0.4	4.5	0.4	4.1	
DATxA rise time			1.9	8.6	1.2	7.1	0.9	6.8	1	6.3	1.3	6.1		
t_{rB}	CMDB rise time		Push-pull driving	1.8	10.2	2	7.7	1.7	6.5	1	5.2	1.7	3.1	ns
			Open-drain driving	137	251	148	245	141	251	100	184	73	142	
	CLKB rise time		Push-pull driving	1.5	7.3	0.7	6.6	0.4	5.9	1.5	4.9	1.9	4.3	
DATxB rise time			2.3	10.3	1.8	8	1.5	6.8	0.9	5.2	0.2	5		
t_{fA}	CMDA fall time		Push-pull driving	0.6	4.5	0.4	3.8	0.2	3.3	0.2	2.9	0.2	3.1	ns
			Open-drain driving	2.3	7.9	2	4.8	1.8	4.2	1.7	3.7	1.6	3.5	
	CLK-f fall time		Push-pull driving	0.1	2	0.2	2.2	0.7	1.6	0.7	1.5	0.1	3	
DATxA fall time			1	4.3	0.8	3.6	1	2.7	0.1	2.7	0.2	2.6		
t_{fB}	CMDB fall time		Push-pull driving	1	10.3	1.4	6.8	1.8	5.4	1.6	5	1.6	3.6	ns
			Open-drain driving	1.4	4	1.3	3	1.2	2.6	0.9	1.9	0.8	1.8	
	CLKB fall time		Push-pull driving	1.1	10.8	1	10.3	1.4	6.3	1.8	4.2	1.7	4	
DATxB fall time			1	11.8	15	7	1.2	6.3	1.6	4.9	0.8	3.6		
$t_{SK(O)}$	Channel-to-channel skew		Push-pull driving	1		1		1		1		1		ns
Max data rate	Command		Push-pull driving	30		60		60		60		60		Mbps
			Open-drain driving	1		1		1		1		1		
	Data		Push-pull driving	50		60		60		60		60		MHz
			Push-pull driving	30		60		60		60		60		

SWITCHING CHARACTERISTICS

$V_{CCA} = 2.5 \text{ V} \pm 0.2 \text{ V}$

over recommended operating free-air temperature range (unless otherwise noted)

PARAMETER	FROM (INPUT)	TO (OUTPUT)	TEST CONDITIONS	$V_{CCB} = 1.2 \text{ V} \pm 0.1 \text{ V}$		$V_{CCB} = 1.5 \text{ V} \pm 0.1 \text{ V}$		$V_{CCB} = 1.8 \text{ V} \pm 0.15 \text{ V}$		$V_{CCB} = 2.5 \text{ V} \pm 0.2 \text{ V}$		$V_{CCB} = 3.3 \text{ V} \pm 0.3 \text{ V}$		UNIT	
				MIN	MAX	MIN	MAX	MIN	MAX	MIN	MAX	MIN	MAX		
t_{pd}	CMDA	CMDB	Push-pull driving	10.6		6.5		4.9		3.7		3.3		ns	
			Open-drain driving (H-to-L)	3.2	10.9	2.7	6.7	2.4	5.5	2.2	4.4	2.1	4.1		
			Open-drain driving (L-to-H)	156	253	162	258	149	261	126	249	98	190		
	CMDB	CMDA	Push-pull driving	12.5		7.4		5.6		4.1		3.6			ns
			Open-drain driving (H-to-L)	3.5	19.2	2.7	10.5	2.3	7.9	2	5.7	1.9	4.8		
			Open-drain driving (L-to-H)	163	295	169	273	158	274	131	261	99	202		
	CLKA	CLKB	Push-pull driving	10.8		6.8		5.4		3.7		3.4			ns
	DATxA	DATxB	Push-pull driving	10.9		6.7		5		3.7		3.3			
	DATxB	DATxA		11.5		7.1		5.4		3.9		3.5			
CLKA	CLK-f	Push-pull driving	23.7		14.9		10.2		6.8		5.7				
t_{en}	EN	B-port	Push-pull driving	1		1		1		1		1		μs	
	EN	A-port	Push-pull driving	1		1		1		1		1			
t_{dis}	EN	B-port	Push-pull driving	48		45		45		38		36		ns	
	EN	A-port	Push-pull driving	45		38		38		38		35			
t_{rA}	CMDA rise time		Push-pull driving	1.9	4.7	1.7	4.4	1.7	3.8	1.9	3.2	2.3	3.3	ns	
			Open-drain driving	135	216	136	237	121	228	96	201	62	141		
	CLK-f rise time		Push-pull driving	0.8	1.6	0.3	1.9	0.6	1.8	0.7	1.5	0.7	1.3		
	DATxA rise time		Push-pull driving	1.9	6.1	1.8	4.5	1.7	4.1	1.9	4	1.8	4.2		
t_{rB}	CMDB rise time		Push-pull driving	1.7	10.8	2.9	7.6	1.8	6.6	1.5	5.2	1.5	3.8	ns	
			Open-drain driving	102	205	116	197	112	207	101	214	76	165		
	CLKB rise time		Push-pull driving	1.6	7.3	0.5	6.8	0.4	5.8	1.6	5	1.7	4.4	ns	
	DATxB rise time		Push-pull driving	2.2	10.3	1.9	7.9	1.8	6.6	1.4	5.3	0.9	4.4		
t_{fA}	CMDA fall time		Push-pull driving	0.4	2.4	0.4	1.6	0.4	1.5	0.5	1.5	0.3	1.4	ns	
			Open-drain driving	2.2	7.6	1.9	4.8	1.8	4.2	1.7	3.7	1.6	3.5		
	CLK-f fall time		Push-pull driving	0.3	2.2	0.3	2.7	0.3	2.6	0.3	2.4	0.3	2.8	ns	
	DATxA fall time		Push-pull driving	0.4	4	0.4	3.6	0.4	3.2	0.5	2.9	0.3	2.6		
t_{fB}	CMDB fall time		Push-pull driving	1	13.4	1.8	7.2	1.7	6.3	1.6	5.6	1.6	3.7	ns	
			Open-drain driving	1	2.3	1	1.7	1	1.7	1	1.6	0.8	1.4		
	CLKB fall time		Push-pull driving	1.1	12.7	1	11.3	0.9	8.7	1.8	4.5	1.7	4.1	ns	
	DATxB fall time		Push-pull driving	1	16	0.7	9	0.8	7	0.8	4.9	0.2	4		
$t_{SK(O)}$	Channel-to-channel skew		Push-pull driving	1		1		1		1		1		ns	
Max data rate	Command		Push-pull driving	30		60		60		60		60		Mbps	
			Open-drain driving	1		1		1		1		1			
	Data		Push-pull driving	50		60		60		60		60		MHz	
			Push-pull driving	30		60		60		60		60			

SWITCHING CHARACTERISTICS

$V_{CCA} = 3.3 \text{ V} \pm 0.3 \text{ V}$

over recommended operating free-air temperature range (unless otherwise noted)

PARAMETER	FROM (INPUT)	TO (OUTPUT)	TEST CONDITIONS	$V_{CCB} = 1.2 \text{ V} \pm 0.1 \text{ V}$		$V_{CCB} = 1.5 \text{ V} \pm 0.1 \text{ V}$		$V_{CCB} = 1.8 \text{ V} \pm 0.15 \text{ V}$		$V_{CCB} = 2.5 \text{ V} \pm 0.2 \text{ V}$		$V_{CCB} = 3.3 \text{ V} \pm 0.3 \text{ V}$		UNIT
				MIN	MAX	MIN	MAX	MIN	MAX	MIN	MAX	MIN	MAX	
t_{pd}	CMDA	CMDB	Push-pull driving	12.5		7.2		5.3		3.8		3.2		ns
			Open-drain driving (H-to-L)	3.2	10.6	2.7	6.4	2.4	5.2	2.1	4.1	2	3.7	
			Open-drain driving (L-to-H)	136	212	141	235	129	235	112	233	101	201	
	CMDB	CMDA	Push-pull driving	10.7		6.6		5.1		3.4		3		
			Open-drain driving (H-to-L)	4.3	16.4	3.3	8.7	2.8	6.6	2.4	4.6	2.2	3.6	
			Open-drain driving (L-to-H)	142	273	148	246	139	248	122	248	105	212	
	CLKA	CLKB	Push-pull driving	10.8		6.5		4.8		3.5		3.1		
	DATxA	DATxB	Push-pull driving	11.5		6.9		5.1		3.7		3.2		
	DATxB	DATxA		23.6		14.4		9.6		6.2		5.1		
CLKA	CLK-f	Push-pull driving	17.1		9.1		6.8		4.8		4.2			
t_{en}	EN	B-port	Push-pull driving	1		1		1		1		1		μs
	EN	A-port	Push-pull driving	1		1		1		1		1		
t_{dis}	EN	B-port	Push-pull driving	38		34		34		34		34		ns
	EN	A-port	Push-pull driving	45		37		36		36		35		
t_{rA}	CMDA rise time		Push-pull driving	0.7	5.6	0.7	5	0.7	4.2	0.8	4.1	1	4.2	ns
			Open-drain driving	117	178	118	213	104	206	85	194	74	155	
	CLK-f rise time		Push-pull driving	0.7	1.5	0.5	1.7	0.7	1.5	0.7	1.4	0.7	1.4	
DATxA rise time			0.9	5	1.1	3.9	1.3	3.4	1.4	3.3	1.1	3		
t_{rB}	CMDB rise time		Push-pull driving	1.7	10.8	2.3	7.4	2.2	6.4	2	5	1.9	4	ns
			Open-drain driving	69	167	84	156	83	167	79	185	79	166	
	CLKB rise time		Push-pull driving	1	7.7	0.3	7.1	0.5	5.9	1.6	5.1	1.9	4.4	
	DATxB rise time			2.1	10.5	2	7.9	2	6.6	1.8	5.3	1	14	
t_{fA}	CMDA fall time		Push-pull driving	0.3	2.8	0.4	2.4	0.4	2	0.4	2	1	2.3	ns
			Open-drain driving	2	7.6	1.8	5	1.7	4.4	1.6	3.9	1.6	3.7	
	CLK-f fall time		Push-pull driving	0.6	1.3	0.6	1.3	0.6	1.3	0.6	1.3	0.6	1.3	
	DATxA fall time			0.3	2.7	0.4	2.3	0.4	1.4	0.4	1.8	0.5	1.7	
t_{fB}	CMDB fall time		Push-pull driving	1	13.3	0.7	7.9	0.9	6.2	0.8	6.3	1	5	ns
			Open-drain driving	0.7	1.5	0.7	1.4	0.8	1.4	0.9	1.3	0.9	1.3	
	CLKB fall time		Push-pull driving	1	15.5	1	9.1	0.9	7.8	0.9	5.1	0.9	4.3	
	DATxB fall time			1	15	0.9	6.8	0.9	6.8	0.8	6.9	0.8	5	
$t_{SK(O)}$	Channel-to-channel skew		Push-pull driving	1		1		1		1		1		ns
Max data rate	Command		Push-pull driving	30		60		60		60		60		Mbps
			Open-drain driving	0.9		1		1		1		1		
	Data		Push-pull driving	55		55		55		55		55		MHz
				30		60		60		60		60		

OPERATING CHARACTERISTICS
 $T_A = 25^\circ\text{C}$, $V_{CCA} = 1.2\text{ V}$

PARAMETER			TEST CONDITIONS	V_{CCB} TYP						UNIT
				1.2 V	1.5 V	1.8 V	2.5 V	3 V	3.3 V	
C_{pdA} (1)	A-port input, B-port output	CLK Enabled	$C_L = 0$, $f = 10\text{ MHz}$, $t_r = t_f = 1\text{ ns}$	15	15	14.9	14.9	15	15	pF
		DATA Enabled		6.3	6.4	6.5	6.5	6.5	6.5	
	B-port input, A-port output	DATA Enabled		12.5	12.3	12.3	12.1	12	11.9	
		CLK Disabled		0.2	0.2	0.2	0.3	0.3	0.3	
	A-port input, B-port output	DATA Disabled		1.2	1.2	1.2	1.2	1.2	1.2	
		DATA Disabled		0.2	0.2	0.2	0.3	0.3	0.3	
C_{pdB} (1)	A-port input, B-port output	DATA Enabled	$C_L = 0$, $f = 10\text{ MHz}$, $t_r = t_f = 1\text{ ns}$	26.2	27.3	28.2	29.7	30	31.2	pF
		CLK Enabled		25.7	25.6	25.6	26.4	27	28.1	
	B-port input, A-port output	DATA Enabled		13.7	12.2	11.4	12	12.5	12.9	
		DATA Disabled		0.6	0.5	0.5	0.5	0.5	0.6	
	A-port input, B-port output	CLK Disabled		0.6	0.5	0.5	0.5	0.5	0.6	
		DATA Disabled		1.2	1.2	1.2	1	1	0.9	

(1) Power dissipation capacitance per transceiver

OPERATING CHARACTERISTICS
 $T_A = 25^\circ\text{C}$, $V_{CCA} = 1.5\text{ V}$

PARAMETER			TEST CONDITIONS	V_{CCB} TYP						UNIT
				1.2 V	1.5 V	1.8 V	2.5 V	3 V	3.3 V	
C_{pdA} (1)	A-port input, B-port output	CLK Enabled	$C_L = 0$, $f = 10\text{ MHz}$, $t_r = t_f = 1\text{ ns}$	15	15	15	14.9	14.9	14.9	pF
		DATA Enabled		6.4	6.3	6.2	6	6	6	
	B-port input, A-port output	DATA Enabled		13.2	12.3	12.2	12	12	11.9	
		CLK Disabled		0.1	0.1	0.1	0.1	0.1	0.1	
	A-port input, B-port output	DATA Disabled		1.2	1.2	1.2	1.2	1.2	1.2	
		DATA Disabled		0.1	0.1	0.1	0.1	0.1	0.1	

(1) Power dissipation capacitance per transceiver

OPERATING CHARACTERISTICS (continued) $T_A = 25^\circ\text{C}$, $V_{CCA} = 1.5\text{ V}$

PARAMETER			TEST CONDITIONS	V_{CCB} TYP						UNIT
				1.2 V	1.5 V	1.8 V	2.5 V	3 V	3.3 V	
C_{pdB} (1)	A-port input, B-port output	DATA Enabled	$C_L = 0$, $f = 10\text{ MHz}$, $t_r = t_f = 1\text{ ns}$	25.8	26.3	27.3	29.2	29.2	30.6	pF
	B-port input, A-port output	CLK Enabled		25.8	25.6	25.6	26.2	26.2	27.2	
		DATA Enabled		13.7	12.3	11.4	12	12	12.8	
	A-port input, B-port output	DATA Disabled		0.1	0.1	0.1	0.1	0.1	0.1	
	B-port input, A-port output	CLK Disabled		0.1	0.1	0.1	0.1	0.1	0.1	
DATA Disabled		1.2	1.2	1.1	1	1	0.9			

OPERATING CHARACTERISTICS $T_A = 25^\circ\text{C}$, $V_{CCA} = 1.8\text{ V}$

PARAMETER			TEST CONDITIONS	V_{CCB} TYP						UNIT
				1.2 V	1.5 V	1.8 V	2.5 V	3 V	3.3 V	
C_{pdA} (1)	A-port input, B-port output	CLK Enabled	$C_L = 0$, $f = 10\text{ MHz}$, $t_r = t_f = 1\text{ ns}$	15.2	15.1	15.1	15	15	15	pF
		DATA Enabled		6.7	6.2	5.8	5.4	5.4	5.3	
	B-port input, A-port output	DATA Enabled		13.9	13.1	12.4	12.1	12	11.9	
	A-port input, B-port output	CLK Disabled		0.1	0.1	0.1	0.1	0.1	0.1	
		DATA Disabled		1.3	1.3	1.3	1.3	1.3	1.3	
B-port input, A-port output	DATA Disabled	0.1	0.1	0.1	0.1	0.1	0.1			
C_{pdB} (1)	A-port input, B-port output	DATA Enabled	$C_L = 0$, $f = 10\text{ MHz}$, $t_r = t_f = 1\text{ ns}$	25.9	26.1	26.7	28.8	28.8	30.3	pF
	B-port input, A-port output	CLK Enabled		25.8	25.6	25.6	26.2	26.2	27	
		DATA Enabled		13.6	12.2	11.5	12.1	12.1	12.9	
	A-port input, B-port output	DATA Disabled		0.2	0.1	0.1	0.1	0.1	0.1	
	B-port input, A-port output	CLK Disabled		0.2	0.1	0.1	0.1	0.1	0.1	
DATA Disabled		1.2	1.2	1.1	1	1	0.8			

(1) Power dissipation capacitance per transceiver

OPERATING CHARACTERISTICS
 $T_A = 25^\circ\text{C}$, $V_{CCA} = 2.5\text{ V}$

PARAMETER			TEST CONDITIONS	V_{CCB} TYP						UNIT
				1.2 V	1.5 V	1.8 V	2.5 V	3 V	3.3 V	
C_{pdA} (1)	A-port input, B-port output	CLK Enabled	$C_L = 0$, $f = 10\text{ MHz}$, $t_r = t_f = 1\text{ ns}$	16.2	16	15.9	15.8	15.8	15.7	pF
		DATA Enabled		7.3	6.5	5.9	5.5	5.4	5.3	
	B-port input, A-port output	DATA Enabled		15.3	14.6	14	13	12.8	12.5	
	A-port input, B-port output	CLK Disabled		0.1	0.1	0.1	0.1	0.1	0.1	
		DATA Disabled		1.3	1.3	1.3	1.3	1.3	1.3	
B-port input, A-port output	DATA Disabled	0.1	0.1	0.1	0.1	0.1	0.1			
C_{pdB} (1)	A-port input, B-port output	DATA Enabled	$C_L = 0$, $f = 10\text{ MHz}$, $t_r = t_f = 1\text{ ns}$	25.6	25.8	26.2	27.6	29	29.5	pF
		B-port input, A-port output		CLK Enabled	25.9	25.7	25.7	26.2	26.5	
		DATA Enabled		13.6	12.2	11.5	12.3	12.7	13.2	
	A-port input, B-port output	DATA Disabled		0.3	0.1	0.1	0.1	0.1	0.1	
		CLK Disabled		0.3	0.1	0.1	0.1	0.1	0.1	
B-port input, A-port output	DATA Disabled	1.2	1.2	1.1	1	0.9	0.8			

(1) Power dissipation capacitance per transceiver

OPERATING CHARACTERISTICS
 $T_A = 25^\circ\text{C}$, $V_{CCA} = 3.3\text{ V}$

PARAMETER			TEST CONDITIONS	V_{CCB} TYP						UNIT
				1.2 V	1.5 V	1.8 V	2.5 V	3 V	3.3 V	
C_{pdA} (1)	A-port input, B-port output	CLK Enabled	$C_L = 0$, $f = 10\text{ MHz}$, $t_r = t_f = 1\text{ ns}$	18.3	17.7	17.5	17.3	17.2	17.1	pF
		DATA Enabled		8.1	7	6.2	5.7	5.6	5.6	
	B-port input, A-port output	DATA Enabled		17	16.1	15.6	14.8	14.4	14	
	A-port input, B-port output	CLK Disabled		0.1	0.1	0.1	0.1	0.1	0.1	
		DATA Disabled		1.3	1.3	1.3	1.3	1.3	1.3	
B-port input, A-port output	DATA Disabled	0.1	0.1	0.1	0.1	0.1	0.1			

(1) Power dissipation capacitance per transceiver

OPERATING CHARACTERISTICS (continued)

T_A = 25°C, V_{CCA} = 3.3 V

PARAMETER			TEST CONDITIONS	V _{CCB} TYP						UNIT
				1.2 V	1.5 V	1.8 V	2.5 V	3 V	3.3 V	
C _{pdB} (1)	A-port input, B-port output	DATA Enabled	C _L = 0, f = 10 MHz, t _r = t _f = 1 ns	25.2	25.6	26	27.1	28	28.5	pF
	B-port input, A-port output	CLK Enabled		26	25.8	25.8	26.3	26.8	27	
		DATA Enabled		13.7	12.1	11.4	12.2	12.7	13.2	
	A-port input, B-port output	DATA Disabled		0.3	0.1	0.1	0.1	0.1	0.1	
	B-port input, A-port output	CLK Disabled		0.3	0.1	0.1	0.1	0.1	0.1	
DATA Disabled		1.2	1.2	1.1	1	0.9	0.8			

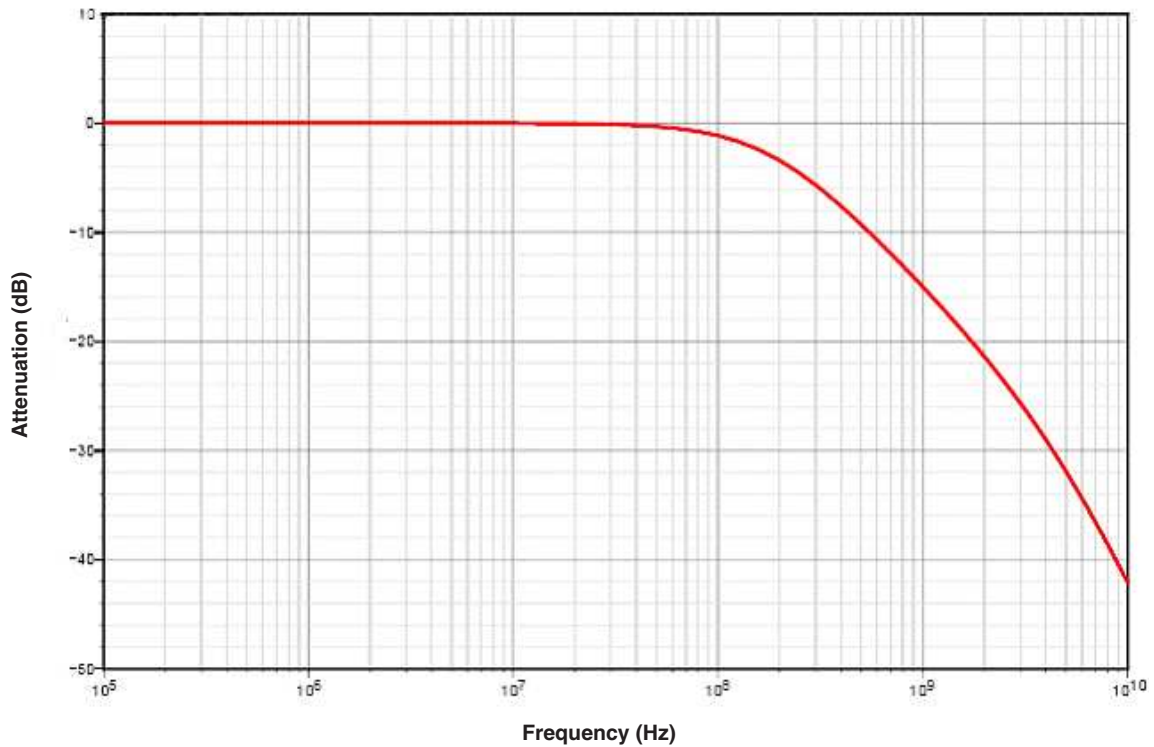
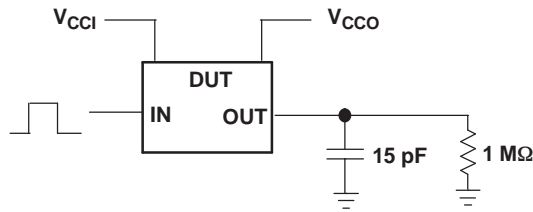
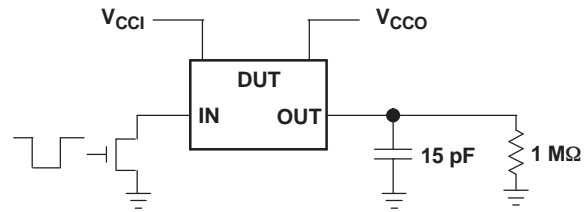
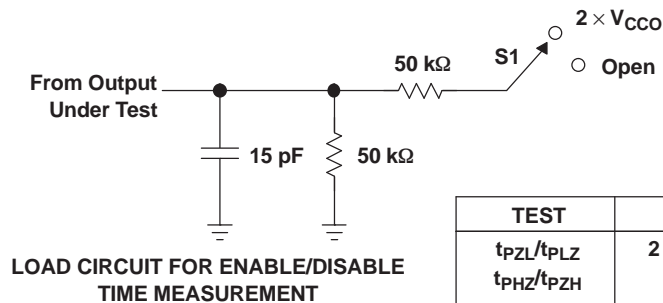
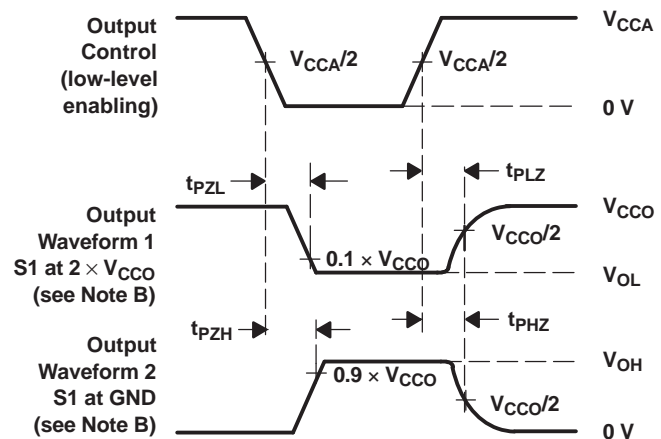
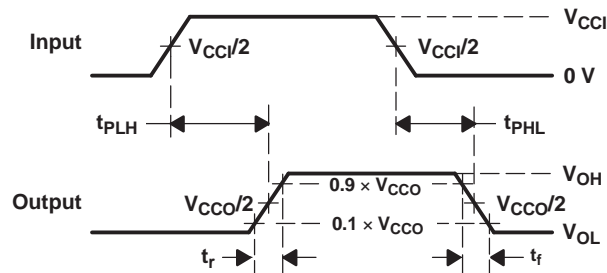
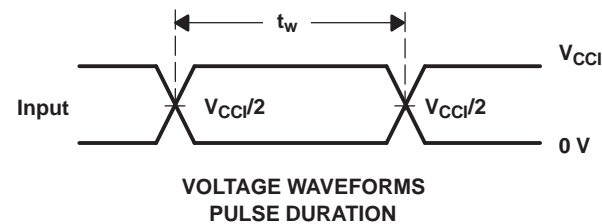


Figure 7. Typical ASIP EMI Filter Frequency Response

PARAMETER MEASUREMENT INFORMATION

DATA RATE, PULSE DURATION, PROPAGATION DELAY, OUTPUT RISE AND FALL TIME MEASUREMENT USING A PUSH-PULL DRIVER

DATA RATE, PULSE DURATION, PROPAGATION DELAY, OUTPUT RISE AND FALL TIME MEASUREMENT USING AN OPEN-DRAIN DRIVER

LOAD CIRCUIT FOR ENABLE/DISABLE TIME MEASUREMENT


- A. C_L includes probe and jig capacitance.
- B. Waveform 1 is for an output with internal conditions such that the output is low, except when disabled by the output control. Waveform 2 is for an output with internal conditions such that the output is high, except when disabled by the output control.
- C. All input pulses are supplied by generators having the following characteristics: $PRR \leq 10$ MHz, $Z_O = 50 \Omega$, $dv/dt \geq 1$ V/ns.
- D. The outputs are measured one at a time, with one transition per measurement.
- E. t_{PZL} and t_{PHZ} are the same as t_{dis} .
- F. t_{PZL} and t_{PZH} are the same as t_{en} .
- G. t_{PLH} and t_{PHL} are the same as t_{pd} .
- H. V_{CCI} is the V_{CC} associated with the input port.
- I. V_{CCO} is the V_{CC} associated with the output port.
- J. All parameters and waveforms are not applicable to all devices.

PARAMETER MEASUREMENT INFORMATION (continued)

Figure 8. Load Circuit and Voltage Waveforms

APPLICATION INFORMATION

The TXS0206 has integrated pullup resistors on the data and command ports and their values dynamically change. When the port is in a low signal state, there is a nominal pullup resistor value of 40 k Ω , and power consumption is minimized. When the port is in a high signal state, the nominal pullup resistor value changes to 4 k Ω , and simultaneous switching performance is improved as a result. The threshold at which the resistance changes is approximately $V_{CC}/2$.

When using the TXS0206 device with MMCs, SD, and Memory Stick™ to ensure that a valid receiver input voltage high (V_{IH}) is achieved, the value of any pulldown resistors (external or internal to a memory card) must not be smaller than a 10-k Ω value. The impact of adding too heavy (i.e., <10-k Ω value) a pulldown resistor to the data and command lines of the TXS0206 device and the resulting 4-k Ω pullup / 10-k Ω pulldown voltage divider network has a direct impact on the V_{IH} of the signal being sent into the memory card and its associated logic.

The resulting V_{IH} voltage for the 10-k Ω pulldown resistor value would be:

$$V_{CC} \times 10 \text{ k}\Omega / (10 \text{ k}\Omega + 4 \text{ k}\Omega) = 0.714 \times V_{CC}$$

This is marginally above a valid input high voltage for a 1.8-V signal (i.e., $0.65 \times V_{CC}$).

The resulting V_{IH} voltage for 20-k Ω pulldown resistor value would be:

$$V_{CC} \times 20 \text{ k}\Omega / (20 \text{ k}\Omega + 4 \text{ k}\Omega) = 0.833 \times V_{CC}$$

Which is above the valid input high voltage for a 1.8-V signal of $0.65 \times V_{CC}$.

PACKAGING INFORMATION

Orderable Device	Status ⁽¹⁾	Package Type	Package Drawing	Pins	Package Qty	Eco Plan ⁽²⁾	Lead/Ball Finish	MSL Peak Temp ⁽³⁾
TXS0206YFPR	ACTIVE	DSBGA	YFP	20	3000	Green (RoHS & no Sb/Br)	SNAGCU	Level-1-260C-UNLIM

⁽¹⁾ The marketing status values are defined as follows:

ACTIVE: Product device recommended for new designs.

LIFEBUY: TI has announced that the device will be discontinued, and a lifetime-buy period is in effect.

NRND: Not recommended for new designs. Device is in production to support existing customers, but TI does not recommend using this part in a new design.

PREVIEW: Device has been announced but is not in production. Samples may or may not be available.

OBSOLETE: TI has discontinued the production of the device.

⁽²⁾ Eco Plan - The planned eco-friendly classification: Pb-Free (RoHS), Pb-Free (RoHS Exempt), or Green (RoHS & no Sb/Br) - please check <http://www.ti.com/productcontent> for the latest availability information and additional product content details.

TBD: The Pb-Free/Green conversion plan has not been defined.

Pb-Free (RoHS): TI's terms "Lead-Free" or "Pb-Free" mean semiconductor products that are compatible with the current RoHS requirements for all 6 substances, including the requirement that lead not exceed 0.1% by weight in homogeneous materials. Where designed to be soldered at high temperatures, TI Pb-Free products are suitable for use in specified lead-free processes.

Pb-Free (RoHS Exempt): This component has a RoHS exemption for either 1) lead-based flip-chip solder bumps used between the die and package, or 2) lead-based die adhesive used between the die and leadframe. The component is otherwise considered Pb-Free (RoHS compatible) as defined above.

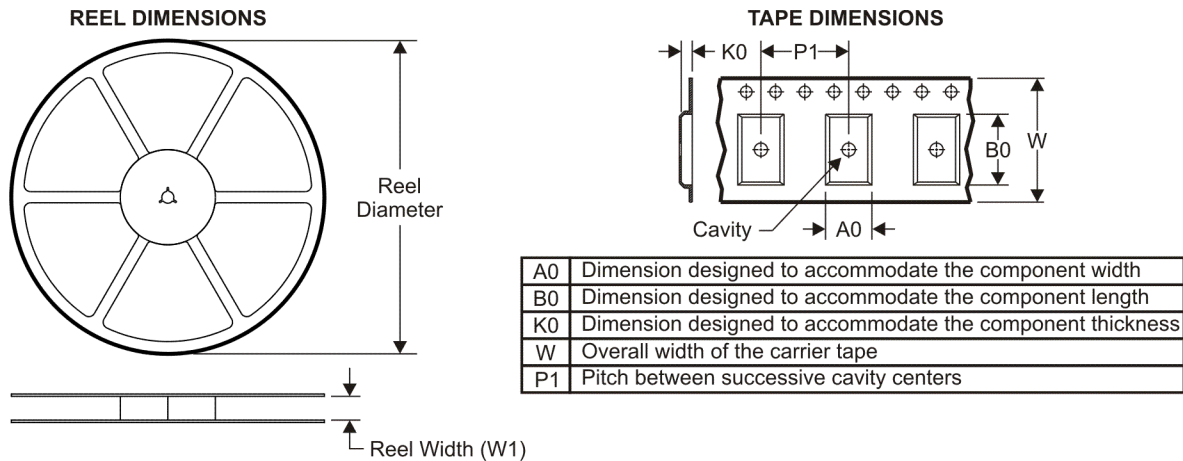
Green (RoHS & no Sb/Br): TI defines "Green" to mean Pb-Free (RoHS compatible), and free of Bromine (Br) and Antimony (Sb) based flame retardants (Br or Sb do not exceed 0.1% by weight in homogeneous material)

⁽³⁾ MSL, Peak Temp. -- The Moisture Sensitivity Level rating according to the JEDEC industry standard classifications, and peak solder temperature.

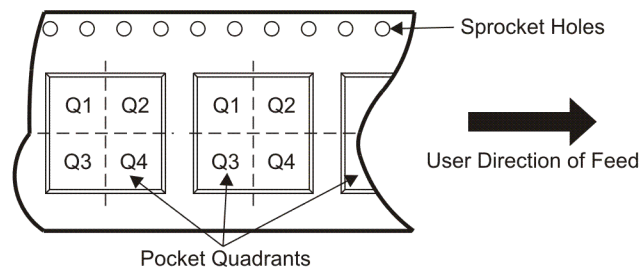
Important Information and Disclaimer: The information provided on this page represents TI's knowledge and belief as of the date that it is provided. TI bases its knowledge and belief on information provided by third parties, and makes no representation or warranty as to the accuracy of such information. Efforts are underway to better integrate information from third parties. TI has taken and continues to take reasonable steps to provide representative and accurate information but may not have conducted destructive testing or chemical analysis on incoming materials and chemicals. TI and TI suppliers consider certain information to be proprietary, and thus CAS numbers and other limited information may not be available for release.

In no event shall TI's liability arising out of such information exceed the total purchase price of the TI part(s) at issue in this document sold by TI to Customer on an annual basis.

TAPE AND REEL INFORMATION



QUADRANT ASSIGNMENTS FOR PIN 1 ORIENTATION IN TAPE



*All dimensions are nominal

Device	Package Type	Package Drawing	Pins	SPQ	Reel Diameter (mm)	Reel Width W1 (mm)	A0 (mm)	B0 (mm)	K0 (mm)	P1 (mm)	W (mm)	Pin1 Quadrant
TXS0206YFPR	DSBGA	YFP	20	3000	180.0	8.4	1.65	2.05	0.6	4.0	8.0	Q1

TAPE AND REEL BOX DIMENSIONS



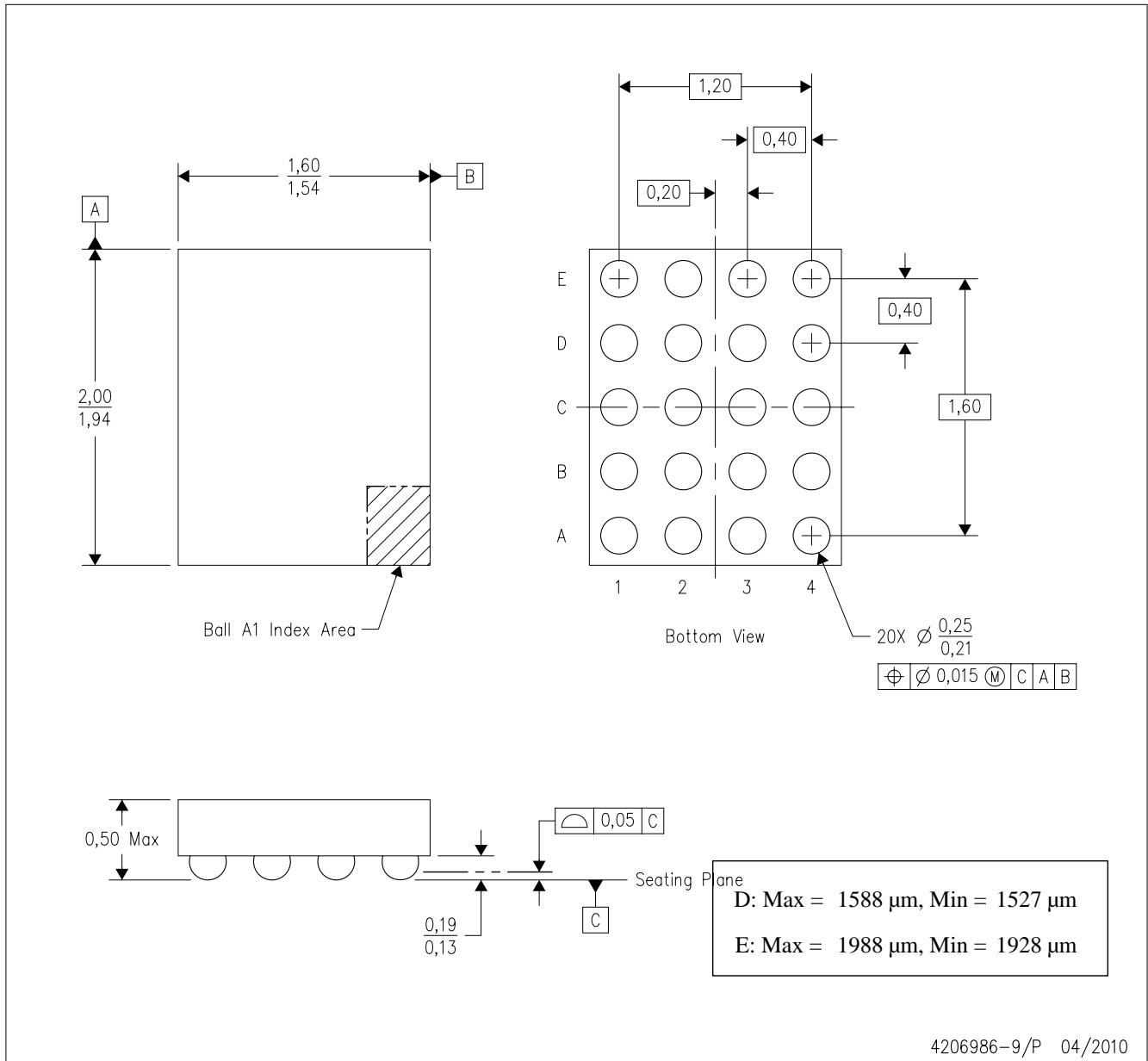
*All dimensions are nominal

Device	Package Type	Package Drawing	Pins	SPQ	Length (mm)	Width (mm)	Height (mm)
TXS0206YFPR	DSBGA	YFP	20	3000	220.0	220.0	34.0

MECHANICAL DATA

YFP (R-XBGA-N20)

DIE-SIZE BALL GRID ARRAY



- NOTES:
- All linear dimensions are in millimeters. Dimensioning and tolerancing per ASME Y14.5M-1994.
 - This drawing is subject to change without notice.
 - NanoFree™ package configuration.
 - This is a Pb-free solder ball design.

NanoFree is a trademark of Texas Instruments.

IMPORTANT NOTICE

Texas Instruments Incorporated and its subsidiaries (TI) reserve the right to make corrections, modifications, enhancements, improvements, and other changes to its products and services at any time and to discontinue any product or service without notice. Customers should obtain the latest relevant information before placing orders and should verify that such information is current and complete. All products are sold subject to TI's terms and conditions of sale supplied at the time of order acknowledgment.

TI warrants performance of its hardware products to the specifications applicable at the time of sale in accordance with TI's standard warranty. Testing and other quality control techniques are used to the extent TI deems necessary to support this warranty. Except where mandated by government requirements, testing of all parameters of each product is not necessarily performed.

TI assumes no liability for applications assistance or customer product design. Customers are responsible for their products and applications using TI components. To minimize the risks associated with customer products and applications, customers should provide adequate design and operating safeguards.

TI does not warrant or represent that any license, either express or implied, is granted under any TI patent right, copyright, mask work right, or other TI intellectual property right relating to any combination, machine, or process in which TI products or services are used. Information published by TI regarding third-party products or services does not constitute a license from TI to use such products or services or a warranty or endorsement thereof. Use of such information may require a license from a third party under the patents or other intellectual property of the third party, or a license from TI under the patents or other intellectual property of TI.

Reproduction of TI information in TI data books or data sheets is permissible only if reproduction is without alteration and is accompanied by all associated warranties, conditions, limitations, and notices. Reproduction of this information with alteration is an unfair and deceptive business practice. TI is not responsible or liable for such altered documentation. Information of third parties may be subject to additional restrictions.

Resale of TI products or services with statements different from or beyond the parameters stated by TI for that product or service voids all express and any implied warranties for the associated TI product or service and is an unfair and deceptive business practice. TI is not responsible or liable for any such statements.

TI products are not authorized for use in safety-critical applications (such as life support) where a failure of the TI product would reasonably be expected to cause severe personal injury or death, unless officers of the parties have executed an agreement specifically governing such use. Buyers represent that they have all necessary expertise in the safety and regulatory ramifications of their applications, and acknowledge and agree that they are solely responsible for all legal, regulatory and safety-related requirements concerning their products and any use of TI products in such safety-critical applications, notwithstanding any applications-related information or support that may be provided by TI. Further, Buyers must fully indemnify TI and its representatives against any damages arising out of the use of TI products in such safety-critical applications.

TI products are neither designed nor intended for use in military/aerospace applications or environments unless the TI products are specifically designated by TI as military-grade or "enhanced plastic." Only products designated by TI as military-grade meet military specifications. Buyers acknowledge and agree that any such use of TI products which TI has not designated as military-grade is solely at the Buyer's risk, and that they are solely responsible for compliance with all legal and regulatory requirements in connection with such use.

TI products are neither designed nor intended for use in automotive applications or environments unless the specific TI products are designated by TI as compliant with ISO/TS 16949 requirements. Buyers acknowledge and agree that, if they use any non-designated products in automotive applications, TI will not be responsible for any failure to meet such requirements.

Following are URLs where you can obtain information on other Texas Instruments products and application solutions:

Products		Applications	
Amplifiers	amplifier.ti.com	Audio	www.ti.com/audio
Data Converters	dataconverter.ti.com	Automotive	www.ti.com/automotive
DLP® Products	www.dlp.com	Communications and Telecom	www.ti.com/communications
DSP	dsp.ti.com	Computers and Peripherals	www.ti.com/computers
Clocks and Timers	www.ti.com/clocks	Consumer Electronics	www.ti.com/consumer-apps
Interface	interface.ti.com	Energy	www.ti.com/energy
Logic	logic.ti.com	Industrial	www.ti.com/industrial
Power Mgmt	power.ti.com	Medical	www.ti.com/medical
Microcontrollers	microcontroller.ti.com	Security	www.ti.com/security
RFID	www.ti-rfid.com	Space, Avionics & Defense	www.ti.com/space-avionics-defense
RF/IF and ZigBee® Solutions	www.ti.com/lprf	Video and Imaging	www.ti.com/video
		Wireless	www.ti.com/wireless-apps

Mailing Address: Texas Instruments, Post Office Box 655303, Dallas, Texas 75265
Copyright © 2010, Texas Instruments Incorporated