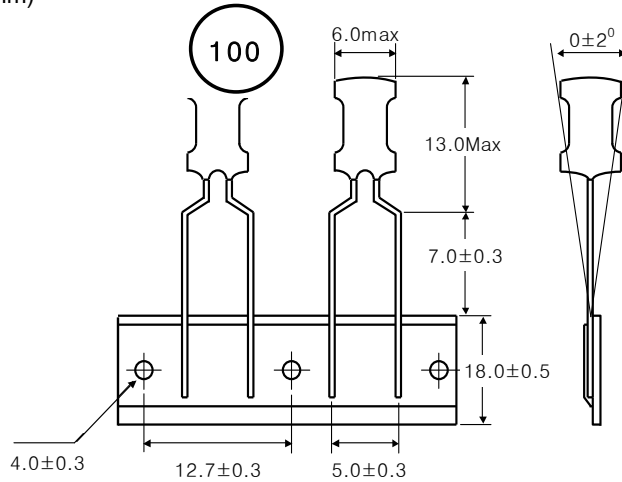


## Leaded type

### ▼ Shape & Dimensions / Recommended Solder Land Pattern

(Dimensions in mm)



### ▼ Electrical Characteristics

| Ordering Code | Inductance |          | Freq.   | DC Resistance( $\Omega$ ) | Rated DC current(A) |
|---------------|------------|----------|---------|---------------------------|---------------------|
|               | L (uH)     | Tol. (%) | F (MHz) | Rdc (Max.)                |                     |
| LPL0411T-100M | 10         | $\pm 20$ | 7.96    | 0.45                      | 0.46                |
| LPL0411T-150K | 15         | $\pm 10$ | 2.52    | 1.30                      | 0.33                |
| LPL0411T-220K | 22         |          |         | 1.50                      | 0.27                |
| LPL0411T-470K | 47         |          |         | 2.20                      | 0.20                |
| LPL0411T-101K | 100        |          |         | 3.30                      | 0.15                |

### ▼ Test Equipments

- . L : Agilent E4980A Precision LCR Meter
- . Rdc : HIOKI 3540 m $\Omega$  HiTESTER
- . Idc : Agilent 4284A LCR Meter + Agilent 42841A Bias Current Source

### ▼ Test Condition

- . Idc(The saturation current) :  $\Delta L \leq 10\%$  typical at rated current
- \* Rated DC current : Idc

### ▼ Operating Temperature Range

- 20 ~ +85 $^{\circ}\text{C}$  (Including self-generated heat)