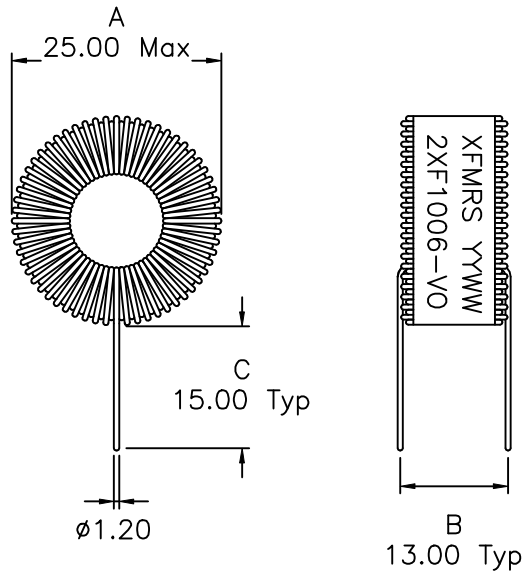
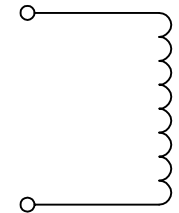


1. Mechanical Dimensions:



2. Schematic:



3. Electrical Specifications:

Inductance: 100uH $\pm 15\%$ @10KHz,1.0V

Current Rating: 7.0ADC

DC Resistance: 0.035 Ohms Max.

Note:

1. Solderability: Leads shall meet MIL-STD-202, Method 208D for solderability.
2. Flammability: UL94V-0,
3. ASTM oxygen index: > 28% ,
4. Temperature rating: 155°C. UL file E151556,
5. Operating Temperature Range: -40°C to +85°C
6. the tinned length is the same as the lead length.

DOC. REV. A/1

XFMRS Inc.	Title: Toroid Inductor		
	UNLESS OTHERWISE SPECIFIED	P/N: 2XF1006-VO	REV. A
TOLERANCES:	DWN.	李小锋	Jun-07-01
.xx ± 0.25	CHK.	廖玉坤	Jun-07-01
Dimensions in MM	APP.	BW	Jun-07-01
SHEET 1 OF 1			