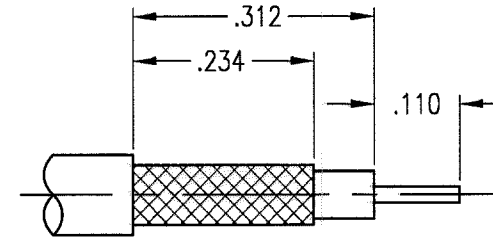
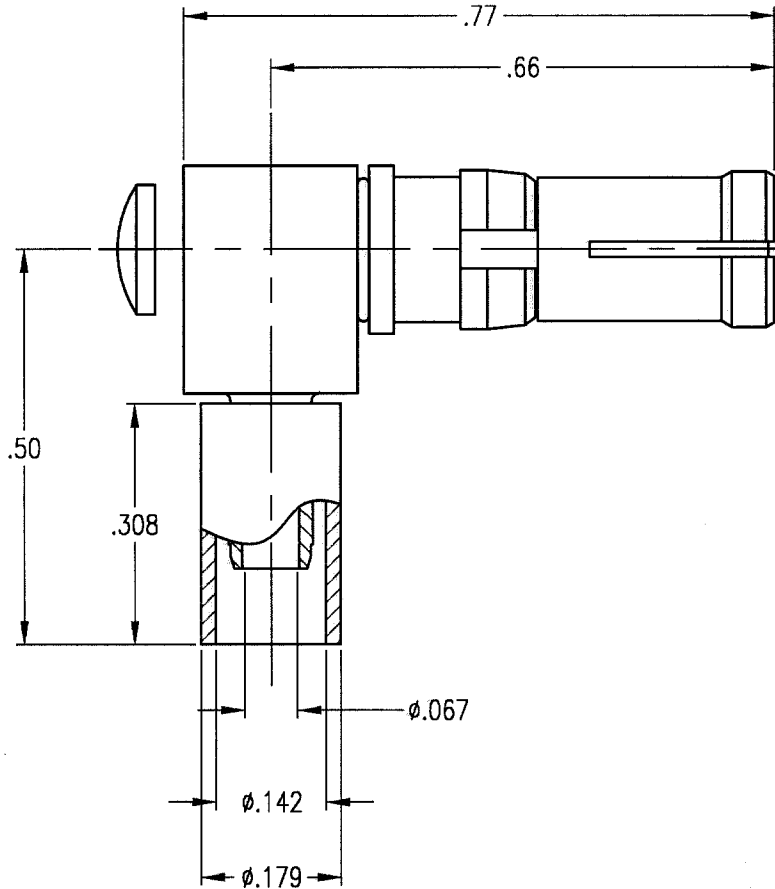


NOTES:


1. MATERIALS:  
CONTACT AND MATING BODY: BERYLLIUM COPPER PER ASTM B196  
INSULATOR: TEFLON PER ASTM D1710  
CLIP RING: BERYLLIUM COPPER PER ASTM B194  
ALL OTHER METAL PARTS: BRASS PER ASTM B16
2. FINISH:  
BODIES AND CONTACT: .000030 MIN. GOLD PER MIL-G-45204 OVER  
.000050 MIN. NICKEL PER QQ-N-290  
CLIP RING: .000100 MIN. NICKEL PER QQ-N-290 OVER  
COPPER FLASH  
FERRULE AND CAP: .000005 MIN. GOLD PER MIL-G-45204 OVER  
.000050 MIN. NICKEL PER QQ-N-290
3. DESIGNED FOR USE WITH RG-316 DOUBLE SHIELDED CABLE  
OR EQUIVALENT
4. FOR CABLING PROCEDURE USE CAP 9-16



CABLE TRIMMING DIMENSIONS

THIS INFORMATION IS PROPRIETARY AND CONFIDENTIAL. IT IS DISCLOSED TO YOU ON CONDITION NO FURTHER DISCLOSURE IS MADE TO OTHER THAN RETCONN PERSONNEL WITHOUT WRITTEN AUTHORIZATION FROM RETCONN INC., TORRINGTON, CT.

UNLESS OTHERWISE SPECIFIED  
TOLERANCES: 3 PLACE DECIMALS  $\pm.005$  2 PLACE DECIMALS  $\pm.010$   
FRACTIONS  $\pm 1/64$  ANGLE  $\pm 2^\circ$   
ALL DIMENSIONS PRIOR TO PLATING  
CHAMFER 1ST THREAD  $45^\circ$  TO ROOT DIAMETER  
REMOVE ALL BURRS AND SHARP EDGES  
ALL DIAMETERS TO BE CONCENTRIC WITHIN .003 TIR  
SURFACE FINISH SHALL BE 63 MICROINCHES MAXIMUM  
DIMENSIONS IN INCHES DO NOT SCALE PRINT

<b>SALES DRAWING</b>					
		<b>RETCONN</b>			
A SUBSIDIARY OF SPM 199 W. PEARL ROAD TORRINGTON, CT. 06790 TEL. (860) 489-1220 FAX (860) 496-7307					
TITLE <b>31 SERIES R/A CABLE RECEPTACLE</b>					
DRAWN	JED	DATE	10/15/97	CHECKED	JMC
SCALE	4:1		FSCM	ODWJ4	
APPR.	AT	DWG. NO.	313-910-0631G		REV. A

REV.	DESCRIPTION OF CHANGE	DATE	DRN	APPR	MATERIAL
A	ECN 2162	12/23/98	JED	AT	
-	RELEASED PER NPR 578	10/15/97	JED	AT	
REVISIONS					SEE NOTES
					SEE NOTES