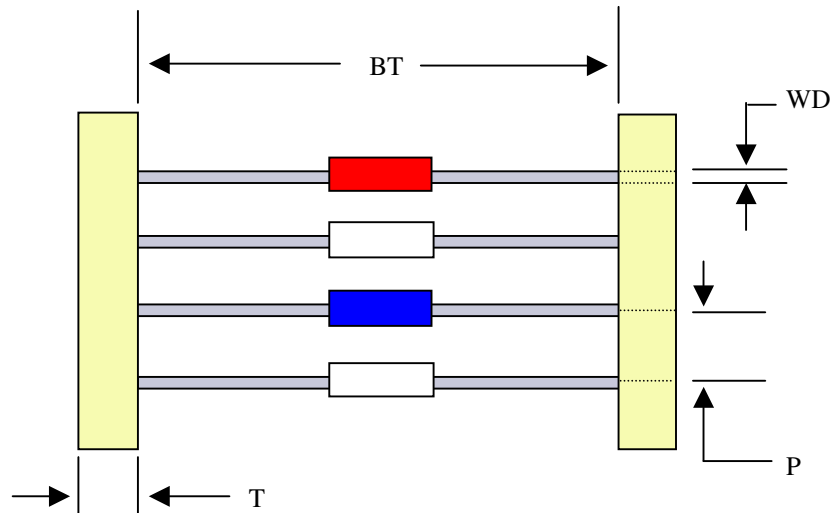


VESTAL PART NUMBER	AWG	WIRE DIAMETER (WD)	PITCH (P)	TAPE WIDTH (T)	BETWEEN TAPE (BT)	MATERIAL	PLATING	INSULATION LENGTH +/- .030"	MAXIMUM INSULATION DIAMETER	QTY PER 14" REEL
IA-22-200-(R/W/B)	22	.025"	.200"	.250"	2.062"	SOLID COPPER	TIN	.200"	.100"	7,000
IA-22-250-(R/W/B)	22	.025"	.200"	.250"	2.062"	SOLID COPPER	TIN	.250"	.100"	7,000
IA-22-400-(R/W/B)	22	.025"	.200"	.250"	2.062"	SOLID COPPER	TIN	.400"	.100"	7,000
IA-22-500-(R/W/B)	22	.025"	.200"	.250"	2.062"	SOLID COPPER	TIN	.500"	.100"	7,000
IA-22-600-(R/W/B)	22	.025"	.200"	.250"	2.062"	SOLID COPPER	TIN	.600"	.100"	7,000
IA-22-800-(R/W/B)	22	.025"	.200"	.250"	2.062"	SOLID COPPER	TIN	.800"	.100"	7,000
IA-22-200-26MM-(R/W/B)	22	.025"	.200"	.250"	1.024"	SOLID COPPER	TIN	.200"	.100"	7,000
IA-22-250-26MM-(R/W/B)	22	.025"	.200"	.250"	1.024"	SOLID COPPER	TIN	.250"	.100"	7,000
IA-22-600-47W	22	.025"	.200"	.250"	2.062"	SOLID COPPER	TIN	.600"	.050"	7,000



NOTES :

1. Irradiated PVC Insulation
2. All products are RoHS compliant
3. All taping dimensions and tolerances conform to EIA-296F unless otherwise noted
4. All wire meets ASTM-B33 for solderability
5. Available insulation colors; red, white or blue (unless otherwise noted)

Title: Insulated Axial Jumper Wire
 Drawing No. VED004
 Rev: C
 Revision Date: 01.02.06
 Approval: WHK

VESTAL

Vestal Electronic Devices, LLC
 635 Dickson Street
 Endicott, NY 13760
 Phone: 607-773-8461 ~ Fax: 607-772-8184
 Email: vedsales@vestalelectronics.com