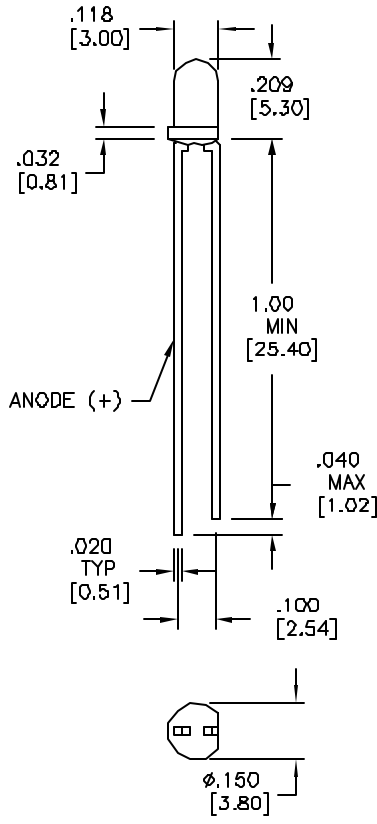
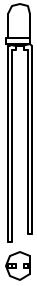


LTR	REVISION	DATE	APPD
-	RELEASED	09-17-01	
A	RVSD PER ECR 012202-RM02	01-22-02	RM
B	RVSD PER ECR 030702-RM02	03-07-02	RM

Actual Size



NOTES:

1. ALL DIMS ARE IN INCHES (MILLIMETERS).
2. TOLERANCE IS ± 0.010 " (± 0.25 mm) UNLESS OTHERWISE SPECIFIED.
3. LEAD SPACING IS MEASURED WHERE LEADS EMERGE FROM THE PACKAGE.
4. LEADS TO BE SOLDERABLE AND CAPABLE OF MEETING THE SOLDERABILITY REQUIREMENTS OF MIL-STD-202, METHOD 208.
5. MANUFACTURE DATE SHALL NOT BE OLDER THAN 26 WEEKS (6 MONTHS).

LEDTRONICS PART NO.	L.E.D. RADIATION COLOR	L.E.D. APPEARANCE	ABSOLUTE MAXIMUM RATINGS (Ta=25°C)					ELECTRO-OPTICAL CHARACTERISTICS (Ta=25°C)					COORDINATES	
			Pd mW	Ip mA	If mA	Vr V	ToPr (°C)	If mA	Iv med m/n/typ	Vf=V typ/max	VIEW ANGLE 2θ1/2	Ir max μA	X	Y
L120CW3KB-22D	WHITE	WATER CLEAR	120	150	30	5	-40 TO +80	20	2400/3500	3.5/4.0	22±2	100	0.32	0.31
L120CW2KB-22D	WHITE	WATER CLEAR	120	150	30	5	-40 TO +80	20	1500/2500	3.5/4.0	22±3	100	0.32	0.31

Istg: -40°C TO +85°C
 LEAD SOLDERING TEMP: [1.6mm (.063in) FROM BODY] 260°C FOR 5 SEC.

 LEDTRONICS, INC. 23105 KASHIWA COURT TORRANCE, CA 90505	PROPRIETARY. This document contains Proprietary Information of LEDTRONICS, INC. It may not be copied, used or disclosed for any purpose without the prior express written consent of LEDTRONICS, INC.		TITLE L120CWXKB-22D			
	DWG NO DSDC0269		SCALE 2:1	SHEET 1 OF 1		DATE 09-17-01
	CODE IDENT NO. 8Z410	DWG BY RM	CHK BY PL 03-07-02	QA	MFG	CUSTOMER

.XXX ± .010 TOLERANCE PER ANSI-Y14.5
 .XX ± .025 (UNLESS OTHERWISE STATED)
 ANGLES ± 0°.30°
 FRACT. ± 1/32