

Series CN015 - Type 30

Direct Mounting, SMT Fixing (w/o Ejector)

Card Connectors

Specifications

Insulation Resistance: 1,000MΩ min. at 500V DC
 Withstanding Voltage: 500V AC rms for 1 minute
 Contact Resistance: 40mΩ max. (initial resistance) excluding conductor resistance of terminal (25mΩ)
 Voltage Rating: 250V AC
 Current Rating: 0.5A
 Operating Temp. Range: -20°C to +60°C

Materials and Finish

Contact: PB / Ni-Au
 Insulator Base: PA, black

Features

- Acceptable for mounting other components under stand-off of connector
- Acceptable for automation mounting machine
- Space saving design and low profile 4.0mm design
- SMT type terminals

Part Number (Details)

CN015 *Z - 30 1 3 - *

Series No.

Applications:

RZ = 3.3V for SmartMedia Card (3.3V)

PZ = 3.3V / 5V for SmartMedia Card (3.3V) and (5V)

Type 30

PCB Mounting: 3 = SMT Fixing Metal Pads

Height of Stand-off: ***)

0 = A(0.30mm), B(4.00mm), C(2.00mm)

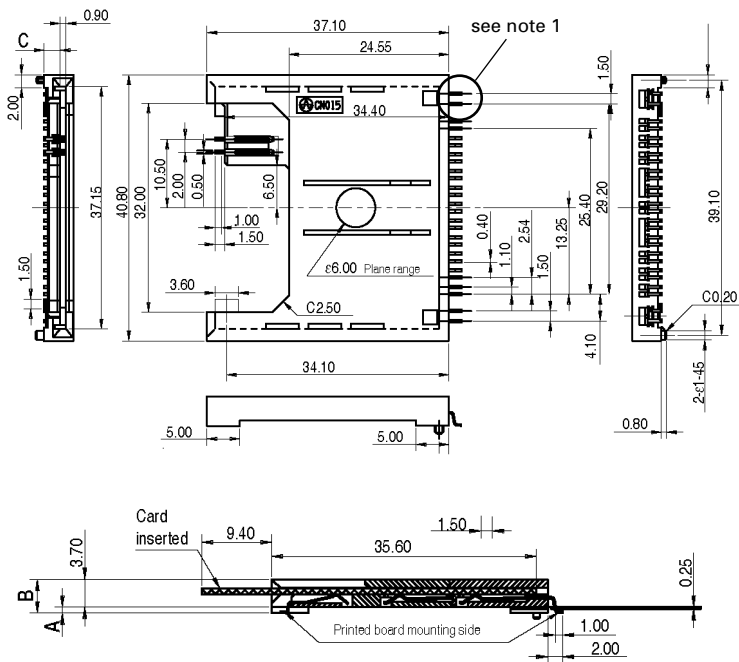
2 = A(2.00mm), B(5.70mm), C(3.70mm)

***) Dimensions A, B and C are shown in drawings below.

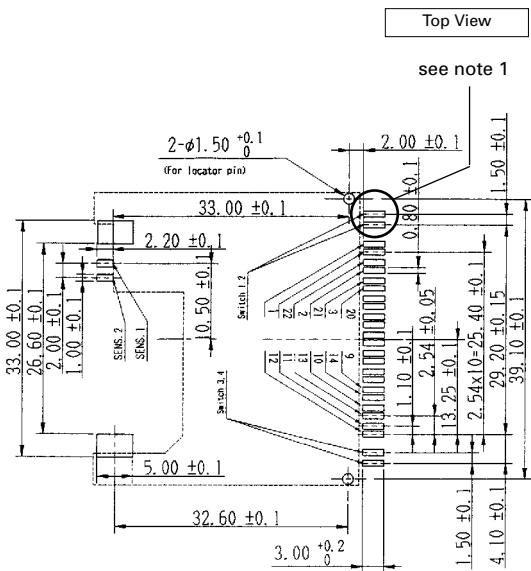
SmartMedia - SSFDC



Type 30 with SMT Metal Pads (3.3V and 3.3V/ 5V)



Recommended PCB Layout



Info:
 The Switch should be open when card is not inserted, and should be closed when card is inserted

Note 1:
 These two contacts are only for the 3.3V/5V type (CN015P) and are removed for the 3.3V model (CN015R)

Function Table

Part Number	Voltage of SmartMedia	Ejector	Mis-insertion Protection	Sequential Contact	Write Protection Switch	Pieces per Tray
CN015RZ-3013-0 CN015RZ-3013-2	3.3V	No	Yes	Yes	Yes	10 pcs.
CN015PZ-3013-0 CN015PZ-3013-2	3.3V / 5V	No	No	Yes	Yes	10 pcs.