

Customer Information Sheet

DRAWING No.: M80-690XX98

SHEET 2 OF 2

IF IN DOUBT - ASK

(C)

NOT TO SCALE

THIRD ANGLE PROJECTION

ALL DIMENSIONS IN mm

SPECIFICATION

MATERIAL

HOUSING = GLASS-FILLED POLYAMIDE 46,
UL94V-0, BLACK

ELECTRICAL

CURRENT RATING AT 25°C = 3.0A MAX

CURRENT RATING AT 85°C = 2.2A MAX

WORKING VOLTAGE = 800V AC/DC

VOLTAGE PROOF = 1200V AC/DC

CONTACT RESISTANCE = 25 mΩ MAX

INSULATION RESISTANCE = 100 MΩ MIN

MECHANICAL

DURABILITY = 400 OPERATIONS

INSERTION FORCE (∅0.5mm GAUGE) = 2.8N MAX

WITHDRAWAL FORCE (∅0.5mm GAUGE) = 0.2N MIN

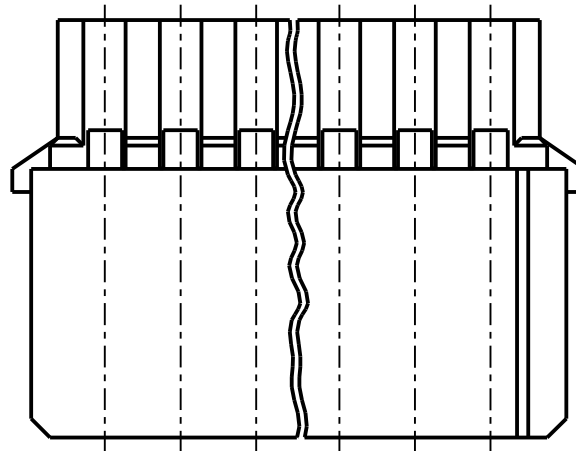
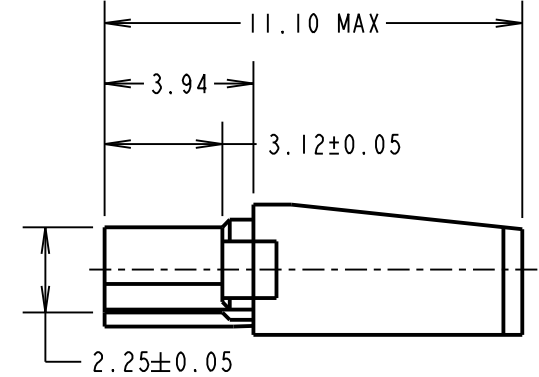
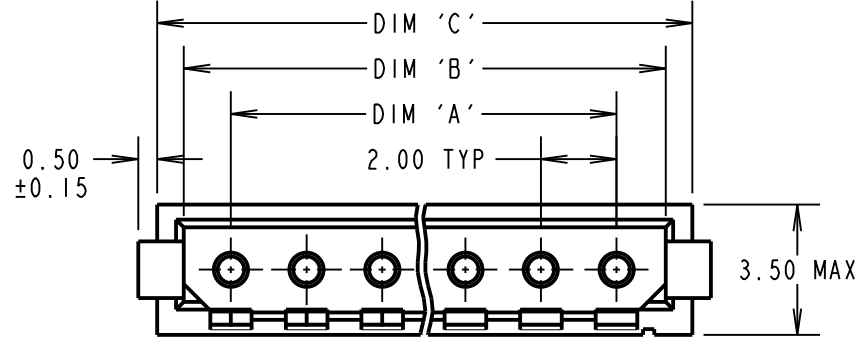
ENVIRONMENTAL

TEMPERATURE RANGE = -55°C TO +125°C

PACKING

BAG

FOR COMPLETE SPECIFICATION, SEE COMPONENT
SPECIFICATION C040XX (LATEST ISSUE)



NOTES:

- HOUSING TO BE USED WITH DATAMATE TRIO-TEK CRIMP CONTACTS:
M80-25300XX = 24-22 AWG REELED
M80-25400XX = 28-26 AWG REELED
M80-28300XX = 24-22 AWG LOOSE
M80-28400XX = 28-26 AWG LOOSE
- SPECIFICATION APPLIES WHEN HOUSING IS USED WITH THE ABOVE CONTACTS.
- CONTACT EXTRACTION TOOL = Z80-258.
- INSTRUCTION SHEETS ARE AVAILABLE.

DIMENSION

CALCULATION

DIM 'A' 2 x TOTAL No. OF CONTACT POSITIONS - 2.0

DIM 'B' 2 X TOTAL No. OF CONTACT POSITIONS + 0.6

DIM 'C' 2 x TOTAL No. OF CONTACT POSITIONS + 2.0

EXAMPLE: CONNECTOR WITH 07 CONTACT POSITIONS, M80-6900798

DIM 'A' = 12.0mm, DIM 'B' = 14.6mm, DIM 'C' = 16.0mm

ORDER CODE:

M80-690XX98

TOTAL No. OF CONTACT POSITIONS
02, 03, 04, 05, 06, 07, 17

MSP 3 07.01.16 13139

NAME ISS. DATE C/NOTE

APPROVED: M.PERREN

CHECKED: M.PLESTED

DRAWN: S.FLOWER

CUSTOMER REF.:

ASSEMBLY DRG:

HARWIN

www.harwin.com
technical@harwin.com

THIS DRAWING AND ANY INFORMATION OR DESCRIPTIVE MATTER SET OUT HEREON ARE CONFIDENTIAL AND COPYRIGHT PROPERTY OF THE HARWIN GROUP AND MUST NOT BE DISCLOSED, LOANED, COPIED OR USED FOR MANUFACTURING, TENDERING OR FOR ANY OTHER PURPOSE WITHOUT THEIR WRITTEN PERMISSION.

TOLERANCES

X. = ±1mm
X.X = ±0.50mm
X.XX = ±0.10mm
X.XXX = ±0.01mm

ANGLES = ±5°

UNLESS STATED

MATERIAL:

SEE ABOVE

FINISH:

S/AREA:

mm²

TITLE:

DATAMATE TRIO-TEK
SIL L-TEK FEMALE CRIMP HOUSING
2-WAY TO 17-WAY

DRAWING NUMBER:

M80-690XX98

SHT

2 OF 2