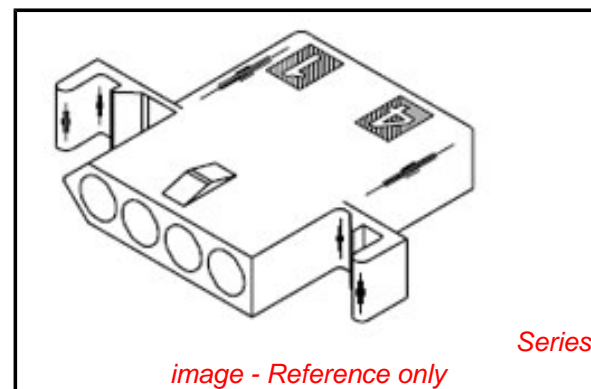


PLEASE CHECK WWW.MOLEX.COM FOR LATEST PART INFORMATION

Part Number: [0003091041](#)
Status: **Active**
Overview: [standard_093](#)
Description: 2.36mm (.093") Diameter Standard .093" Pin and Socket Receptacle Housing, 4 Circuits, Single Row

Documents:

3D Model	Product Specification PS-42477 (PDF)
Packaging Specification (PDF)	Product Specification PS-43660-9999 (PDF)
Drawing (PDF)	RoHS Certificate of Compliance (PDF)
Product Specification PS-02-09 (PDF)	



Agency Certification

CSA	LR19980
UL	E29179

General

Product Family	Crimp Housings
Series	1490
Comments	14.0A max. can be achieved when housing is used with 42477 or 42478 terminals
MolexKits	Yes
Overview	standard_093
Product Name	Standard .093"

Physical

Circuits (maximum)	4
Circuits Detail	(1 x 4)
Color - Resin	Natural
Flammability	94V-2
Gender	Dual
Glow-Wire Compliant	No
Material - Resin	Nylon
Number of Rows	1
Packaging Type	Bag
Panel Mount	Yes
Pitch - Mating Interface (in)	0.198 In
Pitch - Mating Interface (mm)	5.03 mm
Stackable	No
Temperature Range - Operating	-40°C to +105°C

Electrical

Current - Maximum per Contact	11A
-------------------------------	-----

Material Info

Old Part Number	1490-R
-----------------	--------

Reference - Drawing Numbers

Packaging Specification	PK-1490-001
Product Specification	PS-02-09, PS-42477, PS-43660-9999
Sales Drawing	SD-1490-*

EU RoHS

ELV and RoHS Compliant
REACH SVHC
Contains SVHC: No
Halogen-Free Status

China RoHS



Need more information on product environmental compliance?

Email productcompliance@molex.com
 For a multiple part number RoHS Certificate of Compliance, [click here](#)

Please visit the [Contact Us](#) section for any non-product compliance questions.

Search Parts in this Series

[1490Series](#)

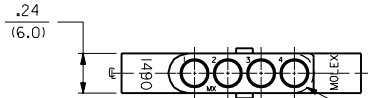
Mates With

[3099](#) shrouded PCB connector, [1490p](#)

Use With

[1189](#) Crimp Terminals, [1190](#) Crimp Terminals, [1376](#) Male PC Tail Terminals, [1377](#) Female PC Tail Terminals, [1380](#) Male Crimp Terminals, [1381](#) Female Crimp Terminals, [1433](#) Crimp Terminals, [1434](#) Male Crimp Terminals, [1973](#) , [2151](#) , [2273](#) , [2870](#) , [2871](#) , [4272](#) , [4550](#) , [6271](#) , [6310](#) , [42477](#) , [42478](#)

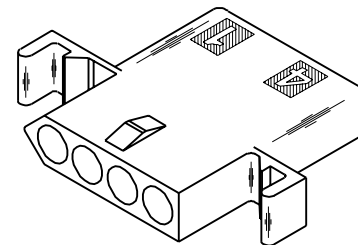
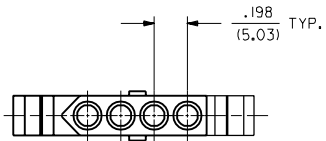
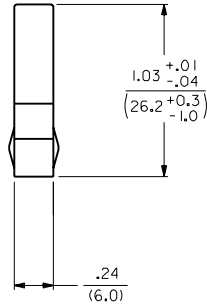
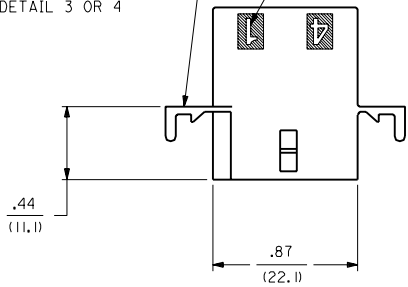
RECEPTACLE



ALTERNATE CONFIGURATION

OPTIONAL MOUNTING EAR (2 PL.)
(STD. MOUNTING EAR SHOWN)
SEE DETAIL 3 OR 4

CIRCUIT I.D.



RECEPTACLE HOUSING

DIMENSIONS SHOWN (METRIC) INCH		$\nabla = 0$	$\blacktriangledown = 0$	REVISE ONLY ON CAD SYSTEM
UNLESS OTHERWISE SPECIFIED TOLERANCES: ANGULAR $\pm .004$ TO		TITLE		
		.093/(2.36) HOUSING, PLUG AND RECEPTACLE, 4 CKT. $\pm .198$ /(5.03) CTRS.		
		MOLEX INCORPORATED		SHEET NO. 2
		LITTLE ROCK, AR 60532 U.S.A.		DATE 3/10/88
		PART NO. SD-1490-0		DRWG. NO.
		SEE CHART		SD-1490-0
		FILE NAME SD1490X2.DWG		DIV. CP
		THIS DRAWING CONTAINS INFORMATION THAT IS PROPRIETARY TO MOLEX INC. AND SHOULD NOT BE USED WITHOUT WRITTEN PERMISSION.		SIZE

INCH	METRIC
3 PLACE $\pm .010$	---
2 PLACE $\pm .014$	± 0.25
1 PLACE ---	± 0.35

DRAFT WHERE APPLICABLE MUST REMAIN WITHIN DIMENSIONS

DRW. BY CEP	CHKD. BY RW
APP'D. BY RAS	SCALE 2 : 1

LTR.	REVISIONS	LTR.	REVISIONS

PLUG	
PART NO.	ENG. NO.
03-09-2041	I490-P
03-09-2042	I490-PI
03-09-7041	I490-PBK
03-09-7042	I490-PIBK
PRELIMINARY	I490-P2
03-09-3042	I490-PIBU

RECEPTACLE	
PART NO.	ENG. NO.
03-09-1041	I490-R
03-09-1042	I490-R1
03-09-6041	I490-RBK
03-09-6042	I490-RIBK
03-09-1043	I490-R2
03-09-6043	I490-RBU
03-09-6045	I490-RGN

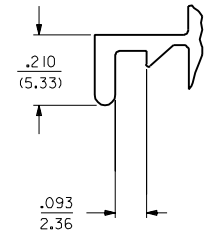
LEGEND:

I490-***-*

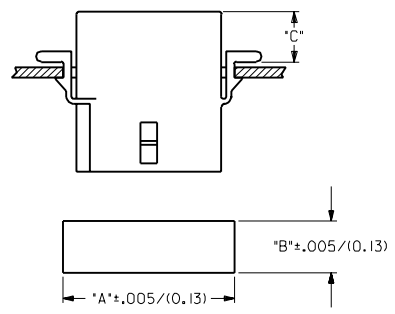
P = PLUG
R = RECEPTACLE

BLANK = WITH STANDARD EARS
1 = WITHOUT EARS
2 = WITH PREBENT EARS, PER DETAIL 4

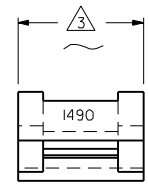
COLOR: BLANK=NATURAL COLOR
AM=AMBER BK=BLACK BU=BLUE
BN=BROWN CY=GRAY GN=GREEN
OR=ORANGE RD=RED YW=YELLOW
BLANK = MATERIAL CODE A



DETAIL 3
.093/(2.36) STANDARD MOUNTING EAR
(SCALE 4:1)



HOUSING	DIM. "A"	DIM. "B"	DIM. "C"
PLUG	1.131/(28.73)	.375/(9.52)	.36/(9.1)
RECEPTACLE	1.038/(26.36)	.312/(7.92)	.37/(9.4)



DETAIL 4
.093/(2.36) PREBENT MOUNTING EAR
(SCALE 4:1)

NOTES:

- MATERIAL CODES:
A = NYLON 6/6, 94V-2
- THIS PART COMPLIES WITH MOLEX PRODUCT SPEC. 02-09.
- FOR DIMENSION SEE SHEET 1 AND 2.
- CIRCUIT I.D. NUMBERS ON HOUSING APPEAR ON PARTS FROM TOOLS BUILT AFTER 8/7/91.

DIMENSIONS SHOWN METRIC (INCH)		UNLESS OTHERWISE SPECIFIED TOLERANCES ANGULAR ± .04° TO		▽ = 0 ▼ = 0 REVISE ONLY ON CAD SYSTEM	
INCH		METRIC		TITLE	
3 PLACE	± .010	---	---	.093/(2.36) HOUSINGS, PLUG AND RECEPTACLE, 4 CKT. ± .198/(5.03) CTRS.	
2 PLACE	± .014	± 0.25	---	MOLEX INCORPORATED	
1 PLACE	---	± 0.35	---	L1S1EJLL 60532 U.S.A. SHEET NO. 3 DATE 3/10/88	
DRAFT WHERE APPLICABLE MUST REMAIN WITHIN DIMENSIONS				PART NO. SD-1490-*	
DRAWN BY: CEP		CHKD. BY: RW		SEE CHART	
APP'D. BY: RAS		SCALE: 2 : 1		DIV. CP	
LTR. REVISIONS		LTR. REVISIONS		SIZE C	