

PLEASE CHECK WWW.MOLEX.COM FOR LATEST PART INFORMATION

Part Number: [0050362277](#)
Status: **Active**
Overview: [standard_093](#)
Description: 2.36mm (.093") Diameter, .093" Pin and Socket Plug Housing with Positive Latch, 15 Circuits, With Pull Tabs, Glow Wire Compatible

Documents:

[3D Model](#) [RoHS Certificate of Compliance \(PDF\)](#)
[Drawing \(PDF\)](#)

General

Product Family	Crimp Housings
Series	1991
Comments	Polarized to Mating Part
Overview	standard_093
Product Name	Standard .093"

Physical

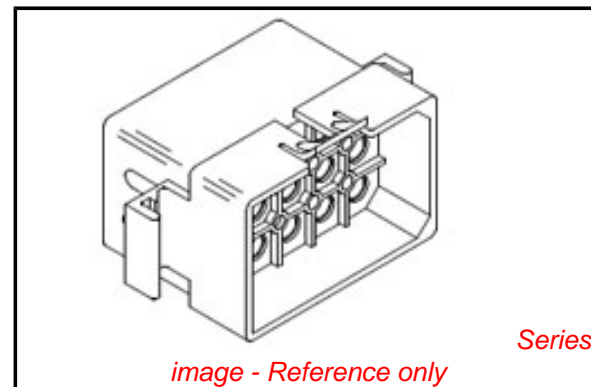
Circuits (maximum)	15
Circuits Detail	3x5
Color - Resin	Black
Gender	Plug
Glow-Wire Compliant	Yes
Keying to Mating Part	None
Lock to Mating Part	Yes
Material - Resin	Nylon
Number of Rows	3
Packaging Type	Bag
Panel Mount	Yes
Pitch - Mating Interface (in)	0.248 In
Pitch - Mating Interface (mm)	6.30 mm
Pitch - Term. Interface (in)	0.248 In
Pitch - Term. Interface (mm)	6.30 mm
Polarized to Mating Part	Yes
Stackable	No
Temperature Range - Operating	-40°C to +105°C

Material Info

Old Part Number 1991-15P-1

Reference - Drawing Numbers

Sales Drawing SD-1991-15**



EU RoHS

ELV and RoHS Compliant
REACH SVHC Contains SVHC: No
Halogen-Free Status

China RoHS



Need more information on product environmental compliance?

Email productcompliance@molex.com
 For a multiple part number RoHS Certificate of Compliance, [click here](#)

Please visit the [Contact Us](#) section for any non-product compliance questions.

Search Parts in this Series

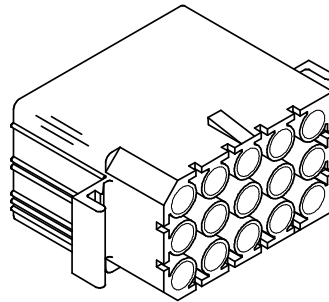
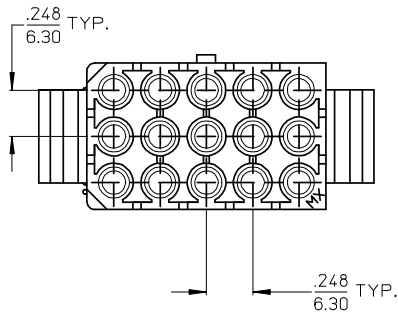
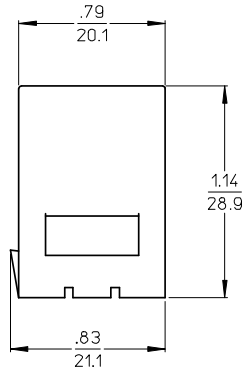
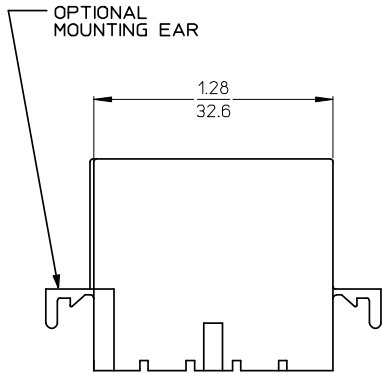
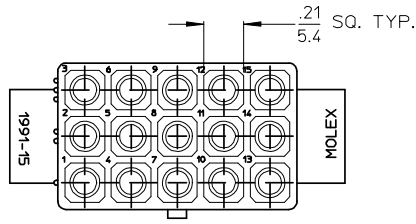
[1991Series](#)

Use With

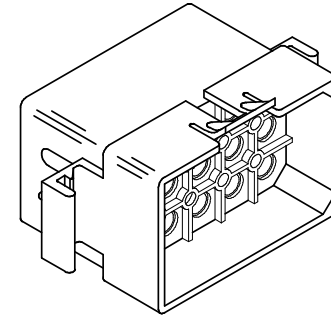
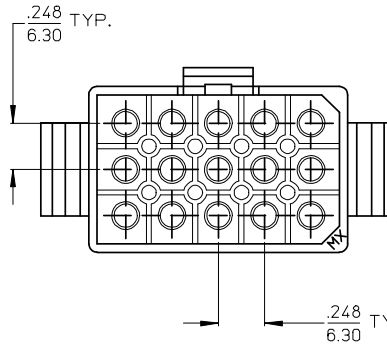
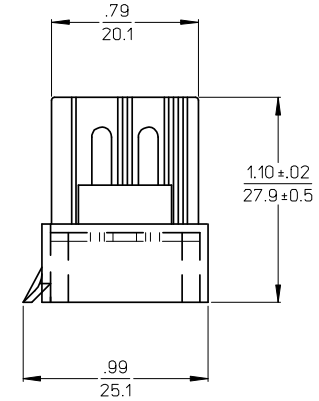
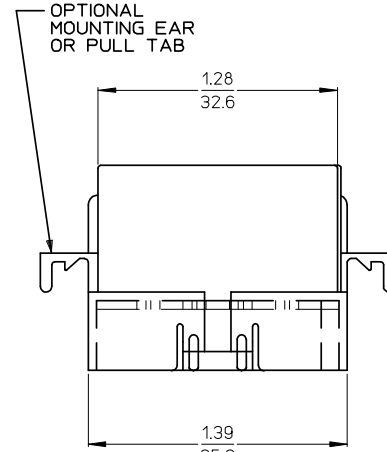
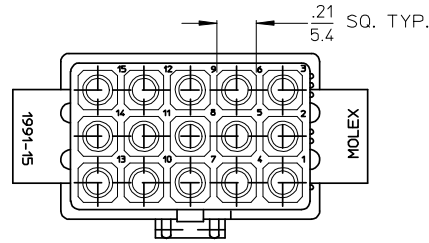
[1189](#) Crimp Terminals, [1190](#) Crimp Terminals, [1380](#) Male Crimp Terminals, [1381](#) Female Crimp Terminals, [1433](#) Crimp Terminals, [1434](#) Male Crimp Terminals, [1973](#) , [2151](#) , [2273](#) , [2870](#) , [2871](#) , [4272](#) , [4550](#) , [6271](#) , Lin

PLEASE CHECK WWW.MOLEX.COM FOR LATEST PART INFORMATION

RECEPTACLE



PLUG



2	A
1	A
SHT. REV.	

INITIAL RELEASE EC NO: UCP2008-2420 DRAWN: PRIDDER 2008/04/10 CHKD: LSCHMIDT 2008/04/16 APPR: FSMITH 2008/04/24	QUALITY SYMBOLS ▽=0 ▽=0	GENERAL TOLERANCES (UNLESS SPECIFIED) 4 PLACES ± --- ± --- 3 PLACES ± --- ± .010 2 PLACES ± 0.25 ± .014 1 PLACE ± 0.35 ± --- ANGULAR ± 1/2°	DIMENSION STYLE IN/MM	SCALE 2:1	DESIGN UNITS INCH	THIRD ANGLE PROJECTION	DRAWN BY AELHAG DATE 2008/04/02	CHECKED BY LSCHMIDT DATE 2008/04/02	APPROVED BY FSMITH DATE 2008/04/02	TITLE .093/(2.36) HOUSINGS, PLUG AND RECEPTACLE, 15 CKT .248/(6.30) CTRS.	MOLEX MOLEX INCORPORATED	MATERIAL NO. SEE CHART	DOCUMENT NO. SD-1991-15**	SHEET NO. 1 OF 2

PLUG		
ORDER NO	ENG NO	PKG. INFORMATION
50-36-2277	1991-15P-1	PK-1991-002

RECEPTACLE		
ORDER NO	ENG NO	PKG. INFORMATION
50-36-2278	1991-15R2-1	PK-1991-002

LEGEND:

1991-15****-*

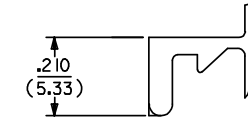
CIRCUIT SIZE

P = PLUG
R = RECEPTACLE

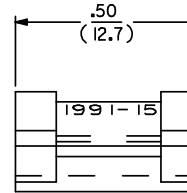
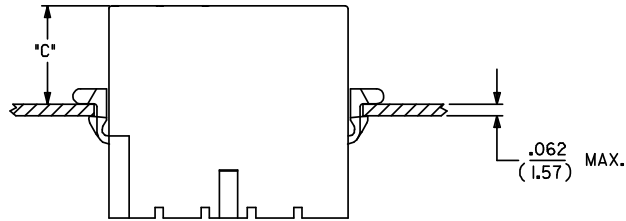
BLANK = WITH PULL TABS
1 = WITHOUT EARS/WITHOUT PULL TABS
2 = WITH STANDARD EARS
3 = WITH PREBENT EARS

COLOR: NOT APPLICABLE

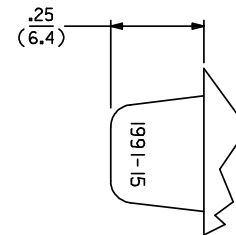
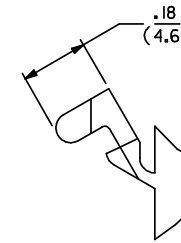
MATERIAL:
BLANK = CODE A
1 = CODE B



DETAIL A
STANDARD MOUNTING EAR
(SCALE 4:1)

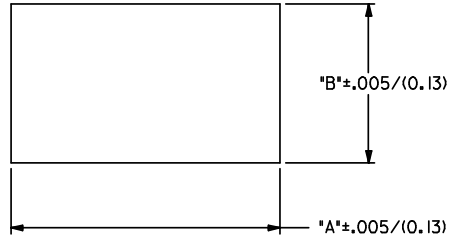


DETAIL B
PREBENT MOUNTING EAR
(SCALE 4:1)



DETAIL C

PULL TAB
(SCALE 4:1)



RECOMMENDED PANEL OPENING

HOUSING	DIM. "A"	DIM. "B"	"C" PREBENT EAR	"C" STANDARD EAR
PLUG	1.552/(39.42)	.910/(23.11)	.31/(7.9)	.30/(7.6)
RECEPT.	1.442/(36.63)	.850/(21.60)	.54/(13.7)	.53/(13.5)

NOTES:

- MATERIAL: A: SEE DRAWING SD-1991-15*.
B: NYLON (PA 6). UL94V-0. IEC 60335-1. 4TH EDITION GLOW WIRE CAPABLE. COLOR BLACK.
- FINISH: N/A
- PRODUCT SPECIFICATION: PS-02-09
- PACKAGING SPECIFICATION: SEE CHART
- HOUSINGS FOR USE WITH MOLEX STANDARD .093/(2.36) TYPE TERMINALS
- PARTS CONFORM TO CLASS B REQUIREMENTS OF COSMETIC SPECIFICATION PS-45499-002 EXCEPT MATERIAL OPTION B MEETS CLASS 'C' REQUIREMENTS FOR SINK AND DISCOLORATION.

INITIAL RELEASE EC NO: UCP2008-2420 DRAWN BY: IDDER 2008/04/10 CHKD: LSCHMIDT 2008/04/16 APPR: FSMITH 2008/04/24	QUALITY SYMBOLS ▽=0 ▽=0	GENERAL TOLERANCES (UNLESS SPECIFIED)	DIMENSION STYLE IN/MM		SCALE 2:1	DESIGN UNITS INCH	THIRD ANGLE PROJECTION
			mm	INCH	DRAWN BY AELHAG	DATE 2008/04/02	TITLE .093/(2.36) HOUSINGS, PLUG AND RECEPTACLE 15 CKT .248/(6.30) CTRS.
A	REV	DRAFT WHERE APPLICABLE MUST REMAIN WITHIN DIMENSIONS	APPROVED BY FSMITH		DATE 2008/04/02	MATERIAL NO. SEE CHART	
			APPROVED BY FSMITH		DATE 2008/04/02	DOCUMENT NO. SD-1991-15**	
SIZE C			THIS DRAWING CONTAINS INFORMATION THAT IS PROPRIETARY TO MOLEX INCORPORATED AND SHOULD NOT BE USED WITHOUT WRITTEN PERMISSION				