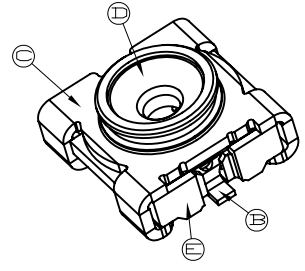
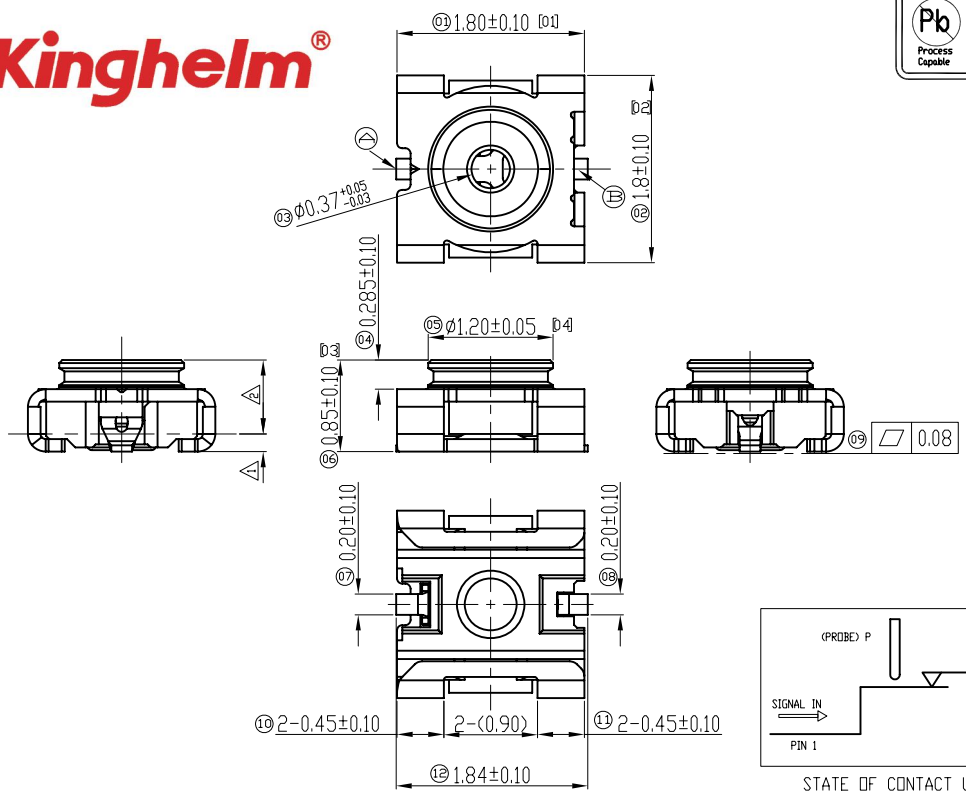
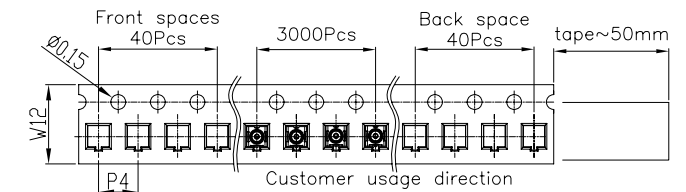
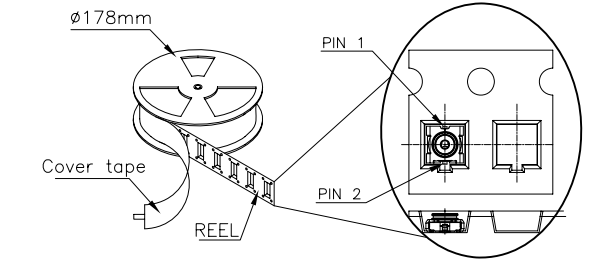


Kinghelm®

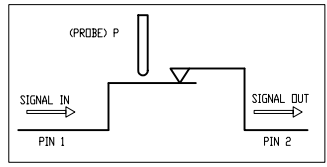


Rev.	ECN Number	Description	Date	Drawn	Checkd	Approved
C	ECN170858	新增钢网规格	05/04'17	LW	Ken	Tan

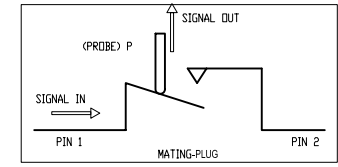
PACKING SPECIFICATION:



3D Model



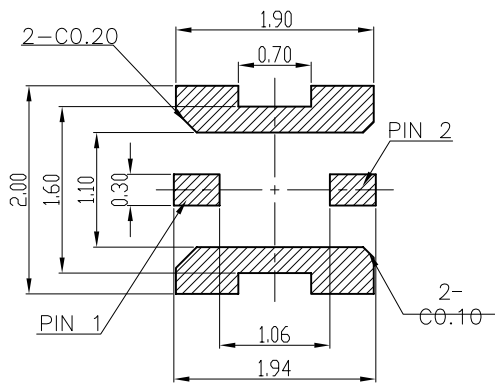
STATE OF CONTACT UNMATED



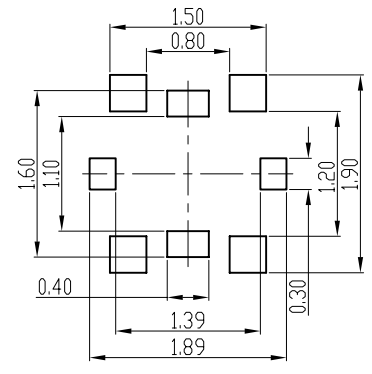
STATE OF CONTACT MATED

NOTES:

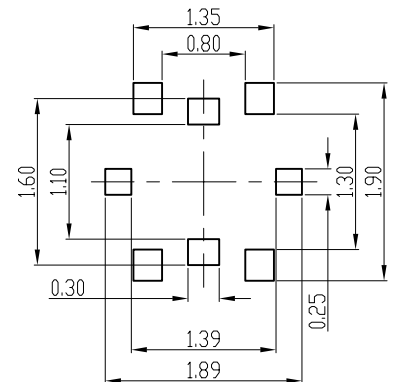
- Rated Voltage: 60V AC max.
- Frequency Range: DC~6GHz
- Impedance: 50Ω
- Power Rating: 2W
- Operating Temperature: -40°C~+85°C
- Insulation Resistance: 1000MΩ min.
- Withstanding Voltage: 100V AC & 1minute
- Initial Contact Resistance: 100 mΩ max. (Without conductor resistance)
- Voltage Standing Wave Ratio(VSWR)
 - max.(DC~3GHz)
 - max.(3~6GHz)
- Insertion loss: 0.10dBmax.(DC~3GHz), 0.20dBmax.(3~6GHz)
- Isolation: 20 dBmin.(DC~3GHz), 15 dBmin.(3~6GHz)
- Durability: 100 cycles
- Packing tape&reel 3000Pcs/Reel (Φ178mm)
- IR Reflow Cycles: 2cycles
- Allow the push force range is 1.5 to 2.5N.



RECOMMENDED PCB LAYOUT TOLERANCE ±0.05MM



RECOMMENDED METAL MASK THICKNESS 0.08MM



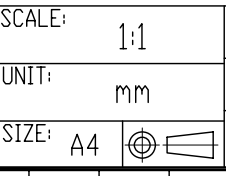
RECOMMENDED METAL MASK THICKNESS 0.10MM

ITEM	DESCRIPTION	Q'TY	MATERIAL/FINISH
①	DOWN HOUSING	1	LCP UL94V-0/BLACK
②	TOP HOUSING	1	LCP UL94V-0/BLACK
③	SHELL	1	C5191/ Ni:50u" Min
			C5191/Au:2u" Min; Ni:50u" Min
④	PIN 2	1	SUS304/Au:2u" Min; Ni:50u" Min
⑤	PIN 1	1	SUS301/Au:5u" Min; Ni:50u" Min

BOM LIST

深圳市金航标
电子有限公司

GENERAL TOLERANCE		SCALE:
XX. ±0.50		1:1
X. ±0.35	X.° ±2.0°	UNIT:
.X ±0.25	.X° ±1.0°	mm
.XX ±0.15	.XX° ±0.5°	SIZE: A4



DRAWN	LW	DATE	05/04'17
CHECK	Ken	DATE	05/04'17
APPROVE	Tan	DATE	05/04'17

DWG. NO.	600-3767-01
PARTS NO.(INTENDED USE)	KH-1818085-4

TITLE	CUSTOMER DRAWING
	MINI RF IV CONN.,
	L1.80*W1.80*H0.85mm

REV.	C
SHEET	1/1