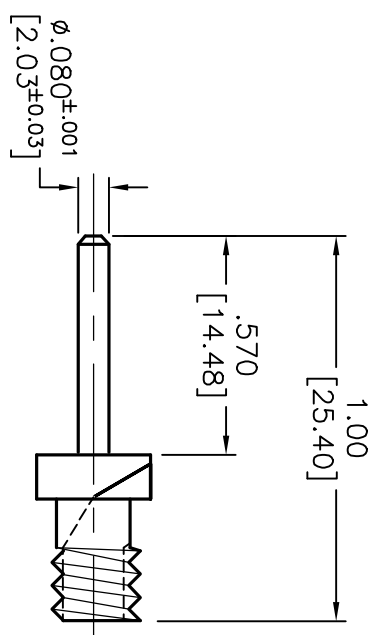
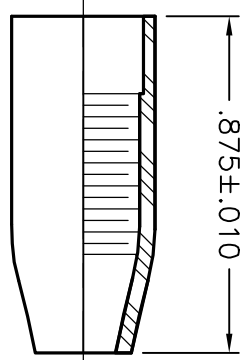


ALL RIGHTS RESERVED. NO PORTION OF THIS PUBLICATION, WHETHER IN WHOLE OR IN PART CAN BE REPRODUCED WITHOUT THE EXPRESS WRITTEN CONSENT OF SPC TECHNOLOGY.

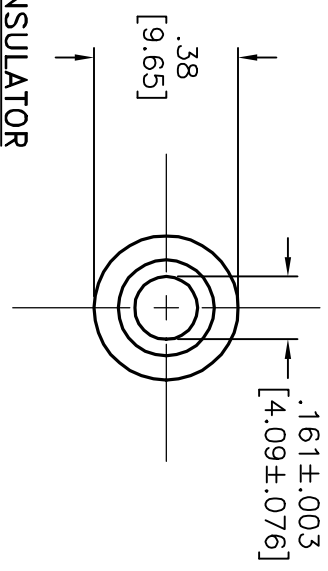
REVISIONS		DOC. NO. SPC-F005	* Effective: 12/21/98		* DCP No: 880			
DCP #	REV	DESCRIPTION	DRAWN	DATE	CHECKD	DATE	APPRVD	DATE
B		RELEASED		1/15/93				
1210	C	Renamed - was 867-*	JMM	7/27/01	JC	8/3/01	JC	8/3/01



PLUG BODY



INSULATOR



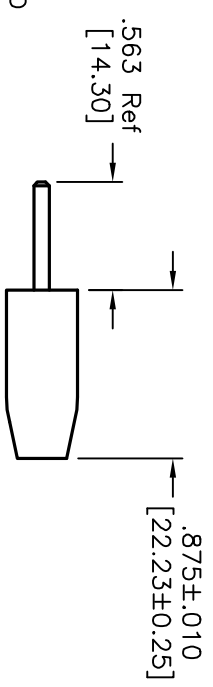
PART NUMBER	COLOR
867-BK	BLACK
867-BL	BLUE
867-GR	GREEN
867-R	RED
867-W	WHITE

867-BK	BLACK
867-BL	BLUE
867-GR	GREEN
867-R	RED
867-W	WHITE

NOTES:

1. MATERIAL: BRASS PER QQ-B-626D
2. CONTACT FINISH: NICKEL
3. CONTACT RATING: 10 AMPS
4. BREAKDOWN VOLTAGE: 3500 VRMS MINIMUM
5. CONTACT RESISTANCE: 0.010 OHMS MAXIMUM
6. FLAMMABILITY: UL94V-2
7. CONTINUOUS USE TEMPERATURE: -40°F (-40°C) TO 185°F (85°C)

ASSEMBLED PLUG



8. FOR STANDARD TIP JACK .080" [2MM]
9. RECESSED HEAD TO REDUCE SHOCK HAZARD.
10. ACCEPTS WIRE SIZES UP TO 16 GAUGE.
11. WEIGHT: .007#

DISCLAIMER:
 ALL STATEMENTS AND TECHNICAL INFORMATION CONTAINED HEREIN ARE BASED UPON INFORMATION AND/OR TESTS WE BELIEVE TO BE ACCURATE AND RELIABLE SINCE CONDITIONS OF USE ARE BEYOND OUR CONTROL. THE USER SHALL DETERMINE THE SUITABILITY OF THE PRODUCT FOR THE INTENDED USE AND ASSUME ALL RISK AND LIABILITY WHATSOEVER IN CONNECTION THEREWITH.



SPC TECHNOLOGY

Tolerances Unless Otherwise Specified:
 .X=±.015
 .XX=±.010
 .XXX=±.005

DRAWN BY: JP
 CHECKED BY: JOHN COLE
 APPROVED BY: JL

DATE: 1/15/93
 DATE: 1/18/93
 DATE: 1/19/93

DRAWING TITLE: **Tip Plug (Insulated Solderless)**

SIZE	DWG. NO.	ELECTRONIC FILE	REV
A	TA-379	TA-379.dwg	C
SCALE:	NTS	U.O.M.: INCHES [mm]	SHEET: 1 OF 1