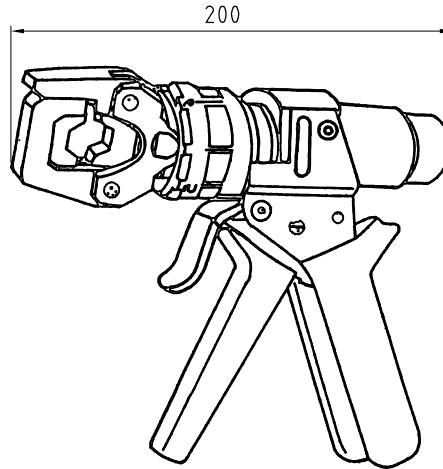


| LDC | | DIST | | REVISIONS | | | |
|-----|-----|---------------|--|-----------|-----|------|--|
| P | LTR | DESCRIPTION | | DATE | DWN | APVD | |
| | F | ECR-17-006155 | | 11MAY17 | LS | GS | |

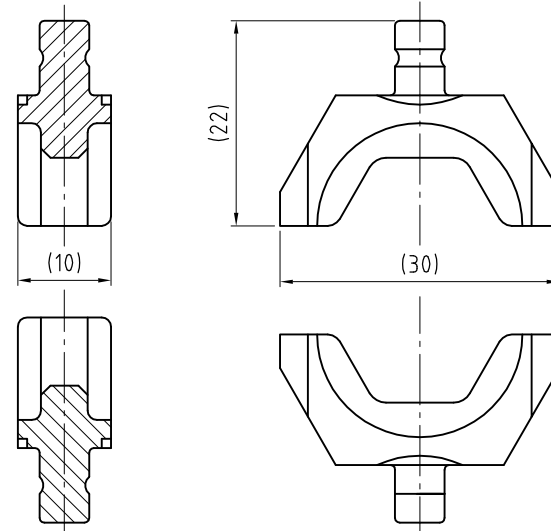
HYDRAULIC HANDTOOL, PRESS CAPACITY 30 kN
 HYDRAULISCHE HANDZANGE, PRESSKRAFT 30 kN
 (POS. 2 AS SHOWN / wie dargestellt)
 TYPE HP30



GENERAL DATA
 HYDRAULIC HAND-OPERATED TOOL
 HP 30 WITH H-COMPRESSION HEAD,
 ROTATING 360°
 - SINGLE PISTON PUMP
 - FOR ONE HAND OPERATION
 - AUTO SAFETY RELIEFVALVE TO
 AVOID VERPRESSURE
 - FORCE OF PRESSURE: 35 kN

Allgemeine Daten
 Hydraulische Handzange HP 30
 mit H-Preßkopf, 360° drehbar
 - Ein-Kolben-Pumpe
 - Für Einhandbenutzung
 - Automatisches Überdruck-Sicher-
 heitsventil
 - Preßkraft: 35 kN

HEX DIE SET FOR HYDRAULIC HANDTOOL 30 kN, CONSISTING OF 2 HEX DIE SET
 COMPONENTS (AS SHOWN) / SECHSKANT-PRESSEINSATZ FÜR HYDR. HANDZANGE
 30 kN, BESTEHEND AUS 2 PRESSEINSATZ-KOMPONENTEN (WIE GEZEICHNET)



| | | | | | |
|-----------|----|-------------|---|--------------------------|-----------------|
| 2,5 SQ.MM | - | 9-1105653-8 | D | OBSOLETE | BLACK / BRONZED |
| 70 SQ.MM | 16 | 8-1105653-8 | D | HEX DIE SET, 70MM 46235 | BLACK / BRONZED |
| 50 SQ.MM | 14 | 7-1105653-8 | C | HEX DIE SET, 50MM 46235 | BLACK / BRONZED |
| 35 SQ.MM | 12 | 6-1105653-8 | C | HEX DIE SET, 35MM 46235 | BLACK / BRONZED |
| 25 SQ.MM | 10 | 5-1105653-8 | C | HEX DIE SET, 25MM 46235 | BLACK / BRONZED |
| 16 SQ.MM | 8 | 4-1105653-8 | C | HEX DIE SET, 16MM 46235 | BLACK / BRONZED |
| 10 SQ.MM | 6 | 3-1105653-8 | C | HEX DIE SET, 10MM 46235 | BLACK / BRONZED |
| 6 SQ.MM | 5 | 2-1105653-8 | C | HEX DIE SET, 6MM 46235 | BLACK / BRONZED |
| SET 1 | - | 1-1105653-8 | D | HYDRAULIC HANDTOOL 30 kN | GREEN / BLACK |
| 4 SQ.MM | - | 1105653-8 | D | OBSOLETE | BLACK / BRONZED |

| SECTION / Querschnitt | INDEX / Kenn- zeichen | TE P/N | REV | DESCRIPTION/BEZEICHNUNG | COLOUR/FINISH FARBE/OBERFLAECHE |
|--------------------------|-----------------------------|--------|-----|-------------------------|------------------------------------|
| | | | | | |

3 IN SET ARE INCLUDED:
 - HYDR. HAND TOOL
 - CASE, 345x270x90MM

Im Set ist enthalten:
 - Hydr. Handzange
 - Transportkoffer, 345x270x90mm



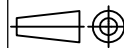
1 PACKAGING
 - TRANSPORT CASE
 345 x 270 x 90MM

Verpackt
 - Transportkoffer
 345 x 270 x 90mm

2. CUSTOMER MANUAL WILL BE
 INCLUDED IN CASE,
 IN LANGUAGE ENGLISH AND
 GERMAN
 Bedienungsanleitung ist dem
 Koffer beigelegt, in der
 Landessprache englisch und
 deutsch.

THIS DRAWING IS A CONTROLLED DOCUMENT.

DIMENSIONS:
mm



MATERIAL

TOLERANCES UNLESS
OTHERWISE SPECIFIED:
 0 PLC ± -
 1 PLC ± -
 2 PLC ± -
 3 PLC ± -
 4 PLC ± -
 ANGLES ± -

FINISH

DWN B.Muth 25AUG09
 CHK L. Bauer 25AUG09
 APVD L. Bauer 25AUG09
 PRODUCT SPEC
 APPLICATION SPEC
 WEIGHT



HYDRAULIC HANDTOOL 30KN,
 HEX DIE SETS DIN 48083

SIZE A3 CAGE CODE 00779 C=1105653

RESTRICTED TO

CUSTOMER DRAWING

SCALE

SHEET

1 OF 1

REV F