

Silicon NPN Power Transistors

MJE4340/4341/4342/4343

DESCRIPTION

- With TO-3PN package
- Respectively complement to type MJE4350/4351/4352/4353
- DC current gain $h_{FE}=8(\text{Min})@I_C=16\text{A}$

APPLICATIONS

- For use in high power audio amplifier and switching regulator circuits

PINNING

PIN	DESCRIPTION
1	Base
2	Collector;connected to mounting base
3	Emitter

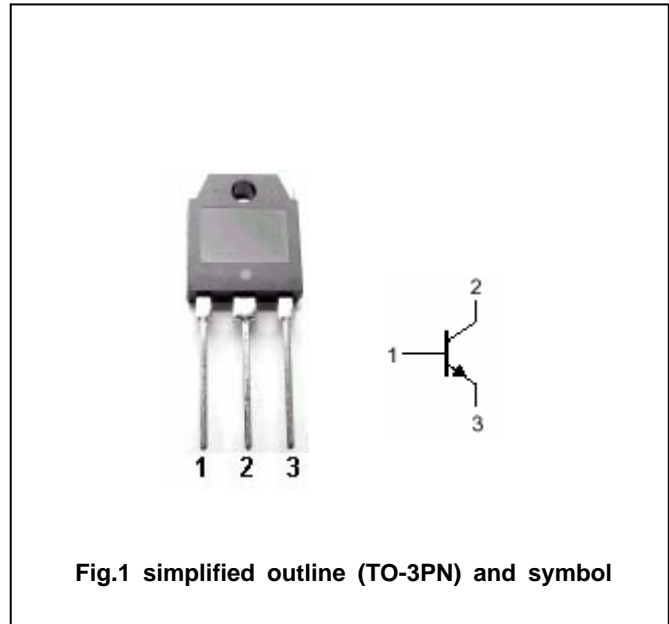


Fig.1 simplified outline (TO-3PN) and symbol

Absolute maximum ratings(Ta=)

SYMBOL	PARAMETER	CONDITIONS	VALUE	UNIT
V _{CB0}	Collector-base voltage	MJE4340	100	V
		MJE4341	120	
		MJE4342	140	
		MJE4343	160	
V _{CEO}	Collector-emitter voltage	MJE4340	100	V
		MJE4341	120	
		MJE4342	140	
		MJE4343	160	
V _{EBO}	Emitter-base voltage	Open collector	7	V
I _C	Collector current		16	A
I _{CM}	Collector current-peak		20	A
I _B	Base current		5	A
P _C	Collector power dissipation	T _C =25	125	W
T _j	Junction temperature		150	
T _{stg}	Storage temperature		-65~150	

THERMAL CHARACTERISTICS

SYMBOL	PARAMETER	MAX	UNIT
R _{th j-c}	Thermal resistance junction to case	1.0	/W

Silicon NPN Power Transistors

MJE4340/4341/4342/4343

CHARACTERISTICS

T_j=25 unless otherwise specified

SYMBOL	PARAMETER	CONDITIONS	MIN	TYP.	MAX	UNIT	
V _{CEO(SUS)}	Collector-emitter sustaining voltage	MJE4340	100			V	
		MJE4341	120				
		MJE4342	140				
		MJE4343	160				
V _{CEsat-1}	Collector-emitter saturation voltage	I _C =8A ; I _B =0.8A			2.0	V	
V _{CEsat-2}	Collector-emitter saturation voltage	I _C =16A ; I _B =2.0A			3.5	V	
V _{BEsat}	Base-emitter saturation voltage	I _C =16A ; I _B =2.0A			3.9	V	
V _{BE}	Base-emitter on voltage	I _C =16A ; V _{CE} =4V			3.9	V	
I _{CEO}	Collector cut-off current	MJE4340	V _{CE} =50V ; I _B =0			0.75	mA
		MJE4341	V _{CE} =60V ; I _B =0				
		MJE4342	V _{CE} =70V ; I _B =0				
		MJE4343	V _{CE} =80V ; I _B =0				
I _{CEX}	Collector cut-off current	V _{CE} =RatedV _{CBO} ; V _{BE} =1.5V T _C =150			1.0 5.0	mA	
I _{CBO}	Collector cut-off current	V _{CB} =RatedV _{CB} ; I _E =0			0.75	mA	
I _{EBO}	Emitter cut-off current	V _{EB} =7V ; I _C =0			1.0	mA	
h _{FE-1}	DC current gain	I _C =8A ; V _{CE} =2V	15				
h _{FE-2}	DC current gain	I _C =16A ; V _{CE} =4V	8				
C _{OB}	Output capacitance	I _E =0 ; V _{CB} =10V ; f=0.1MHz			800	pF	
f _T	Transition frequency	I _C =-1A ; V _{CE} =20V ; f=0.5MHz	1.0			MHz	

Silicon NPN Power Transistors

MJE4340/4341/4342/4343

PACKAGE OUTLINE

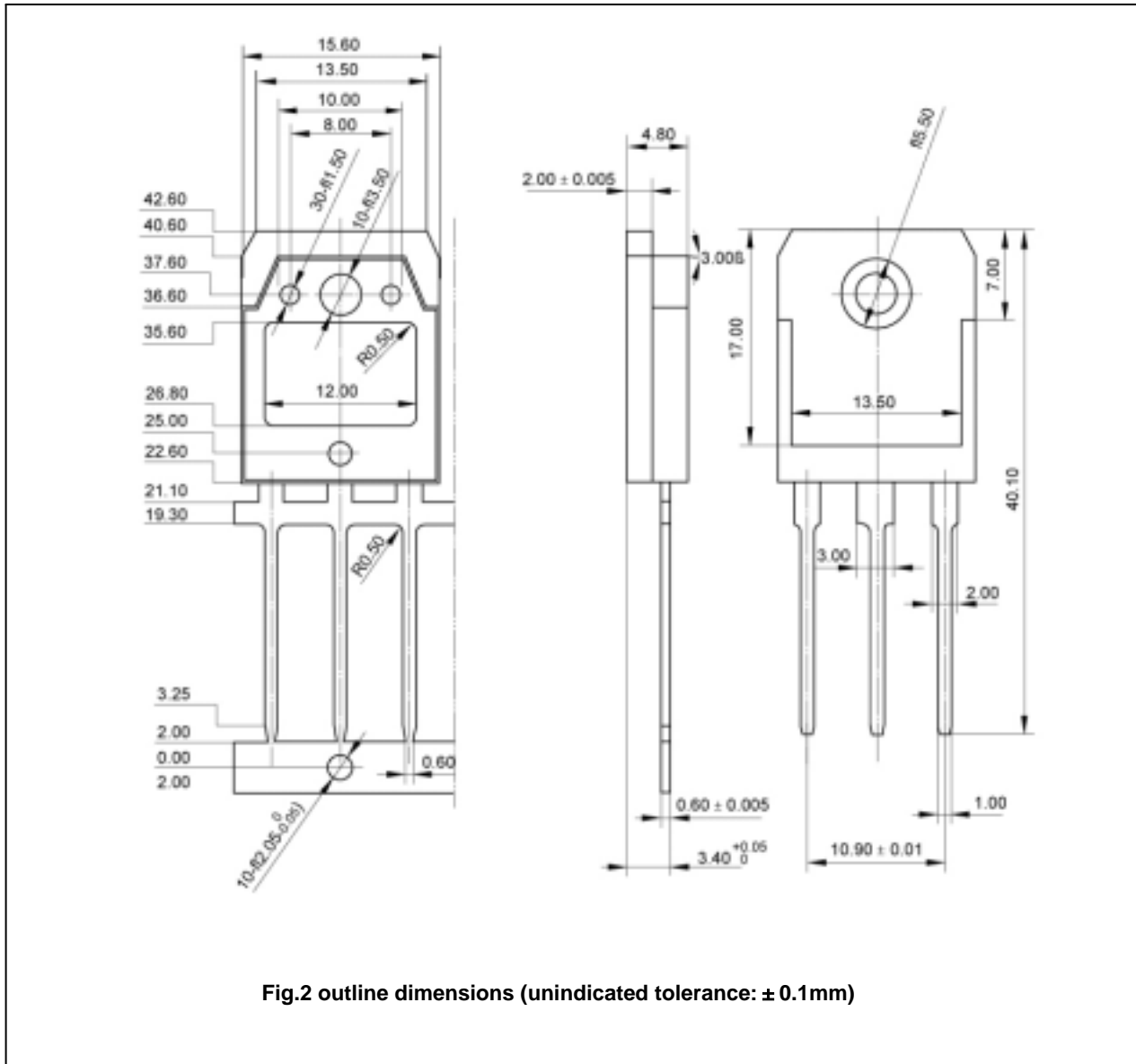


Fig.2 outline dimensions (unindicated tolerance: $\pm 0.1\text{mm}$)