

CMSH3-20MA
 CMSH3-40MA
 CMSH3-60MA
 CMSH3-100MA

**SURFACE MOUNT
 SCHOTTKY BARRIER SILICON
 RECTIFIER
 3.0 AMP, 20 THRU 100 VOLTS**

**HIGH DENSITY™
 SCHOTTKY**

SUPERmini™



SMA CASE

Central™

Semiconductor Corp.

FEATURES:

- HIGH CURRENT CAPABILITY
- FLAMMABILITY CLASSIFICATION UL94V-0
- HIGH DENSITY, SUPERmini™ DEVICE
- SUPERIOR LOT TO LOT CONSISTENCY
- LOW COST
- "C" BEND CONSTRUCTION PROVIDES STRAIN RELIEF WHEN MOUNTED ON PC BOARD
- HIGH RELIABILITY

DESCRIPTION:

The CENTRAL SEMICONDUCTOR 3.0 Amp Surface Mount Silicon Schottky Rectifier is a high quality, well constructed, highly reliable component designed for use in all types of commercial, industrial, entertainment, computer, and automotive applications. To order devices on 12mm Tape and Reel (5000/13" Reel), add TR13 suffix to part number.

MARKING CODE: SEE MARKING CODE TABLE ON FOLLOWING PAGE

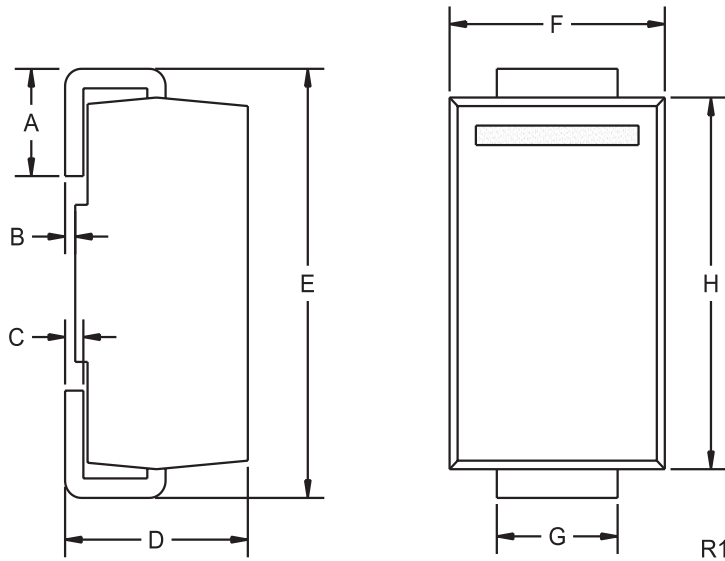
MAXIMUM RATINGS: (T_A=25°C unless otherwise noted)

	SYMBOL	CMSH3 -20MA	CMSH3 -40MA	CMSH3 -60MA	CMSH3 -100MA	UNITS
Peak Repetitive Reverse Voltage	V _{RRM}	20	40	60	100	V
DC Blocking Voltage	V _R	20	40	60	100	V
RMS Reverse Voltage	V _{R(RMS)}	14	28	42	71	V
Average Forward Current (T _L =75°C)	I _O			3.0		A
Peak Forward Surge Current (8.3ms)	I _{FSM}			80		A
Operating and Storage						
Junction Temperature	T _J , T _{stg}			-65 to +150		°C
Thermal Resistance	θ _{JL}			30		°C/W

ELECTRICAL CHARACTERISTICS: (T_A=25°C unless otherwise noted)

SYMBOL	TEST CONDITIONS	MIN	TYP	MAX	UNITS
I _R	V _R =Rated V _{RRM}			500	μA
I _R	V _R =Rated V _{RRM} , T _A =100°C			20	mA
V _F	I _F =3.0A (CMSH3-20MA and CMSH3-40MA)			0.50	V
V _F	I _F =3.0A (CMSH3-60MA)			0.70	V
V _F	I _F =3.0A (CMSH3-100MA)			0.85	V
C _J	V _R =4.0V, f=1.0MHz		280		pF

SMA CASE - MECHANICAL OUTLINE



MARKING CODES:

DEVICE	MARKING CODE
CMSH3-20MA	CS320MA
CMSH3-40MA	CS340MA
CMSH3-60MA	CS360MA
CMSH3-100MA	CS3100MA

SYMBOL	DIMENSIONS		MILLIMETERS	
	INCHES		MIN	MAX
A	0.030	0.060	0.76	1.52
B	0.004	0.008	0.10	0.20
C	0.006	0.012	0.15	0.30
D	0.078	0.103	1.98	2.62
E	0.188	0.220	4.78	5.59
F	0.090	0.115	2.29	2.92
G	0.050	0.070	1.27	1.78
H	0.157	0.181	3.99	4.60

SMA (REV: R1)

R1 (14-November 2002)