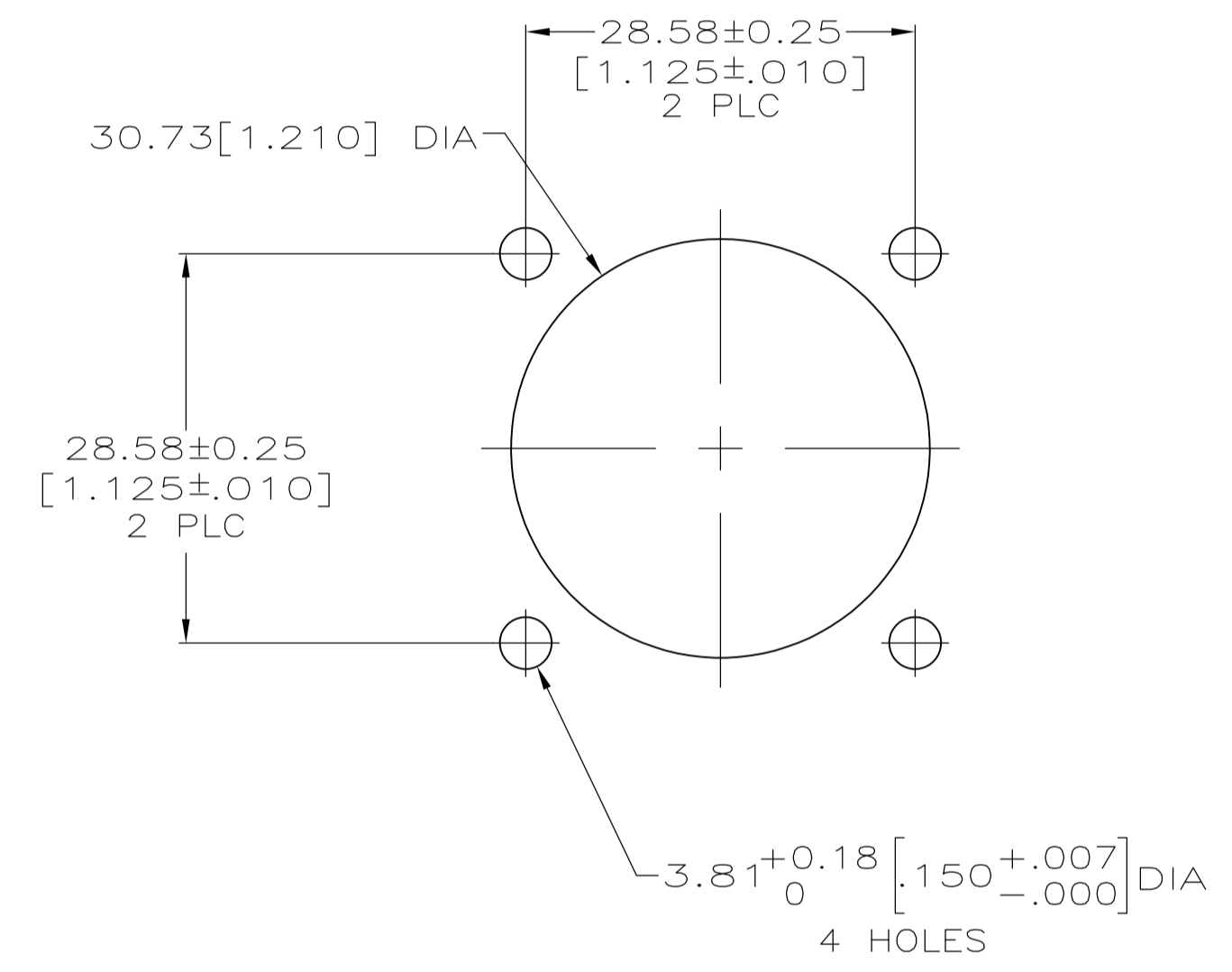
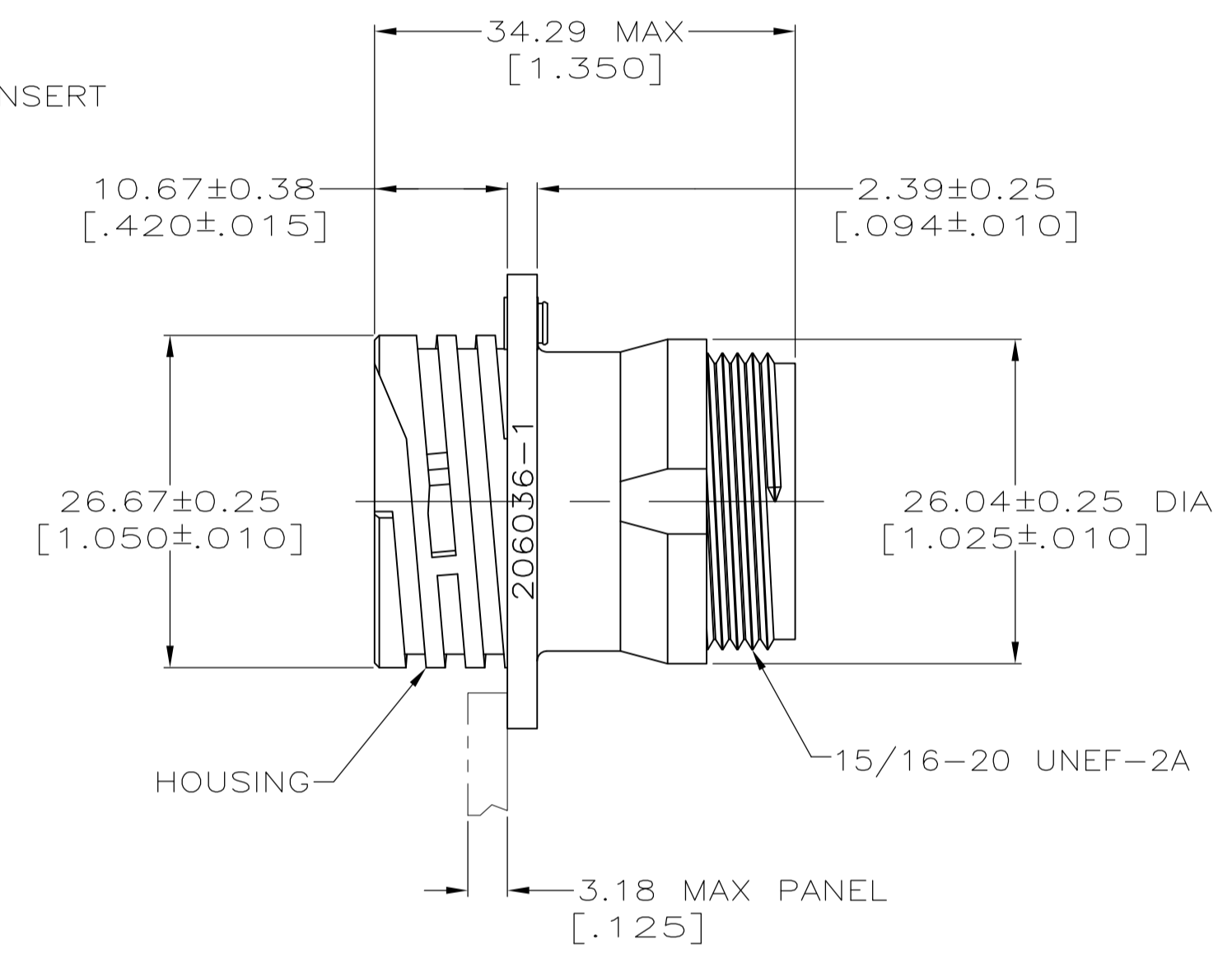
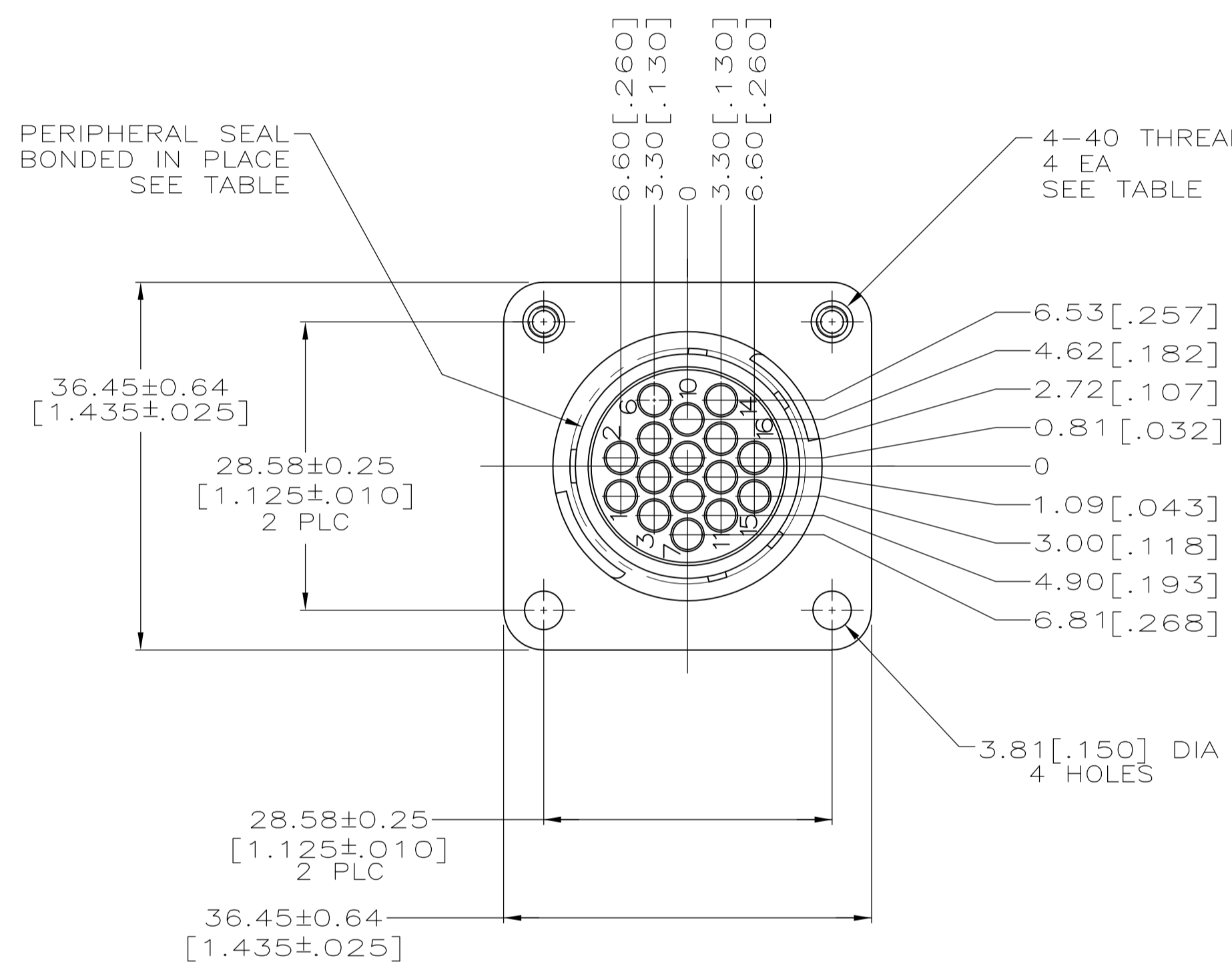


- 1 HOUSING: NYLON, BLACK.
PERIPHERAL SEAL: ELASTOMER, GRAY.
THREADED INSERTS: BRASS.
- 2 CAVITY IDENTIFICATION ON FRONT AND REAR FACE.
- 3 WILL ACCEPT (16) MULTIMATE PIN CONTACTS.
- 4 HOUSING: NYLON, BLUE.
PERIPHERAL SEAL: ELASTOMER, GRAY.
THREADED INSERTS: BRASS.
- 5 OBSOLETE PARTS: OBSOLETE CIS STREAMLINING PER D.RENAUD/D.SINISI



RECOMMENDED PANEL CUTOUT

OBSOLETE	STANDARD	NO	YES	206036-9
	STANDARD	YES	NO	206036-8
	SMALL PACK	NO	NO	206036-7
	STANDARD	NO	YES	206036-4
	STANDARD	NO	NO	206036-1
MATERIAL	PACKAGING	4-40 THREADED INSERTS	PERIPHERAL SEAL	PART NUMBER

THIS DRAWING IS A CONTROLLED DOCUMENT.

D. GELTZ 07/27/93
R. STONE 7-22-93

STE TE Connectivity

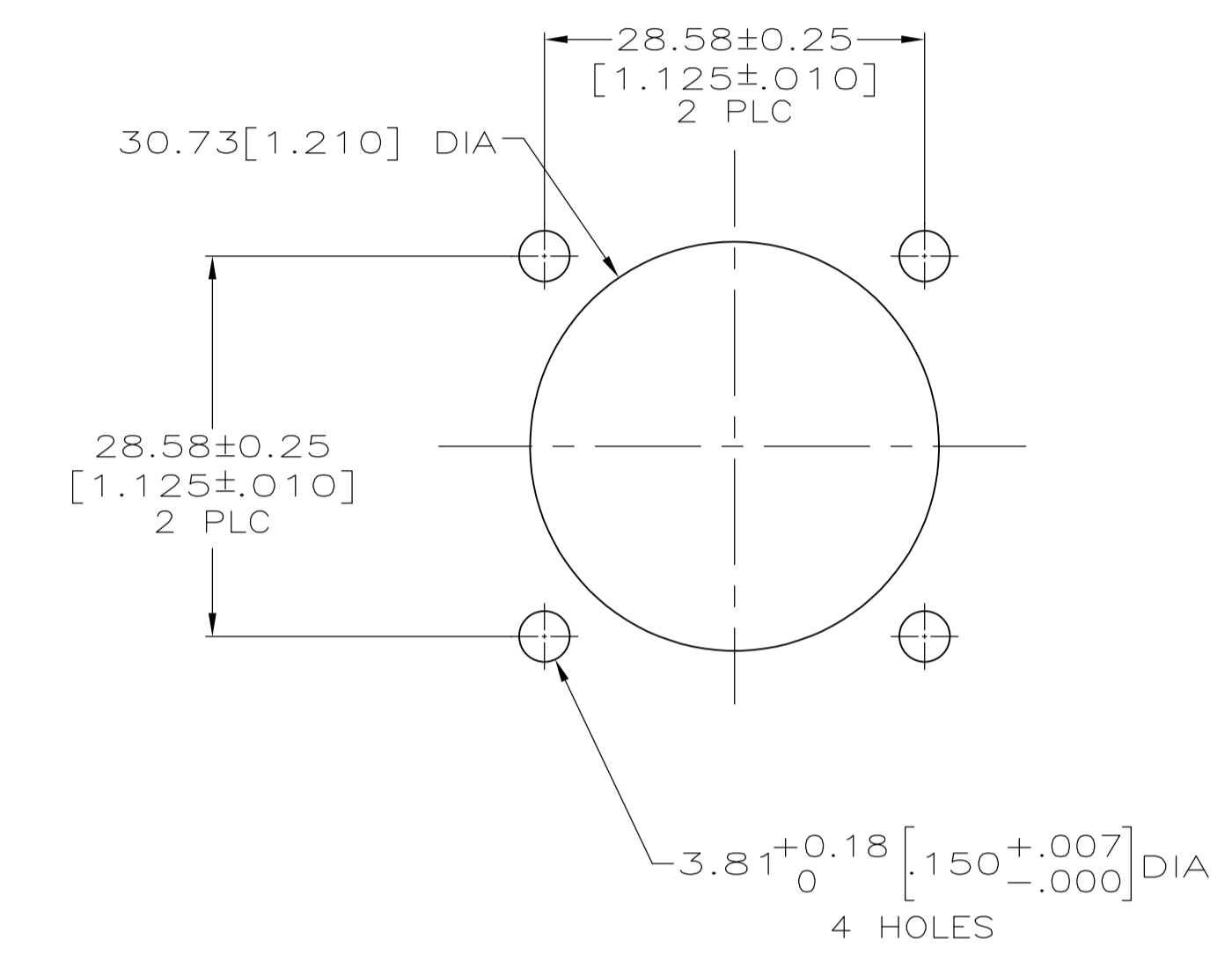
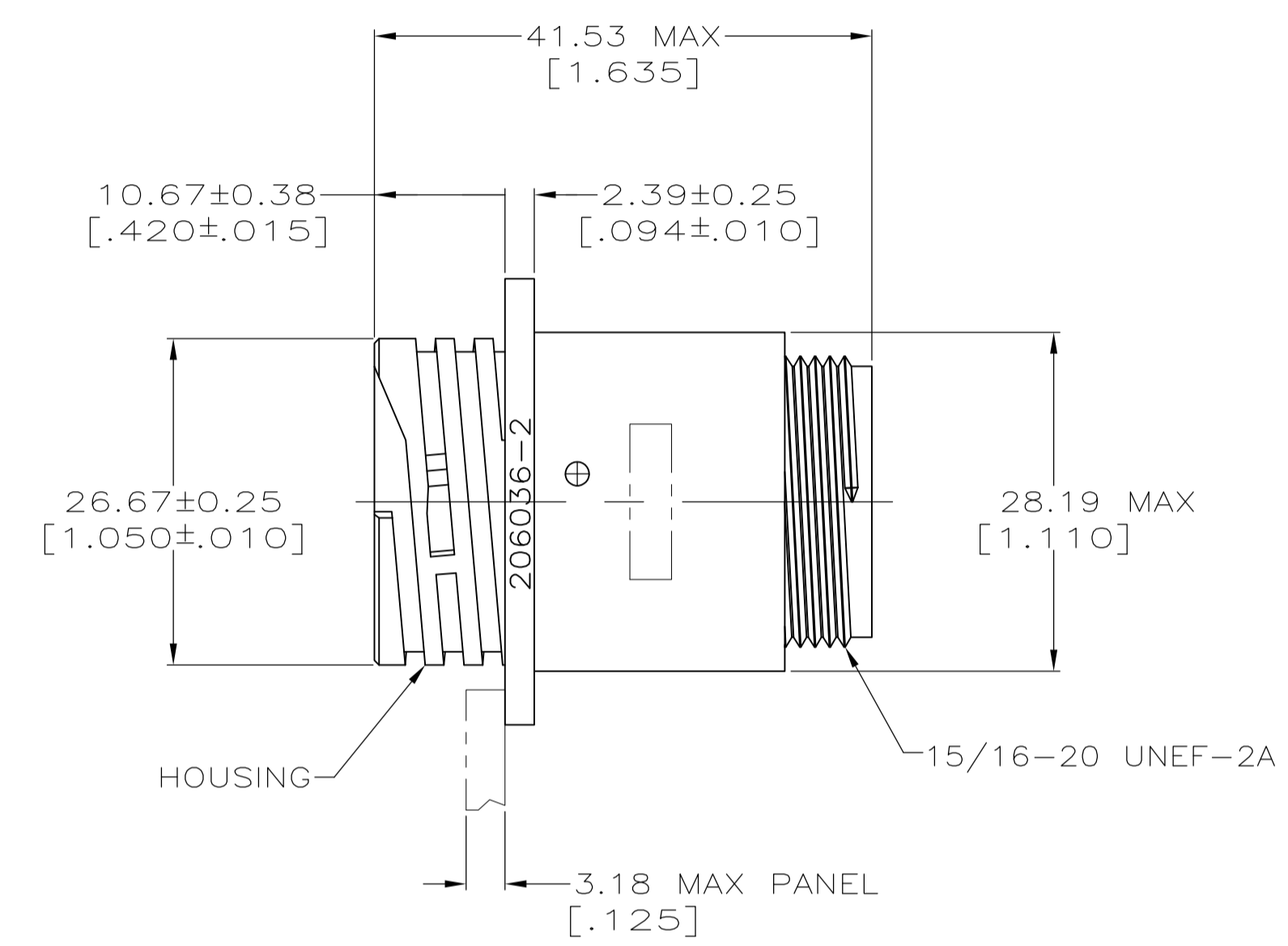
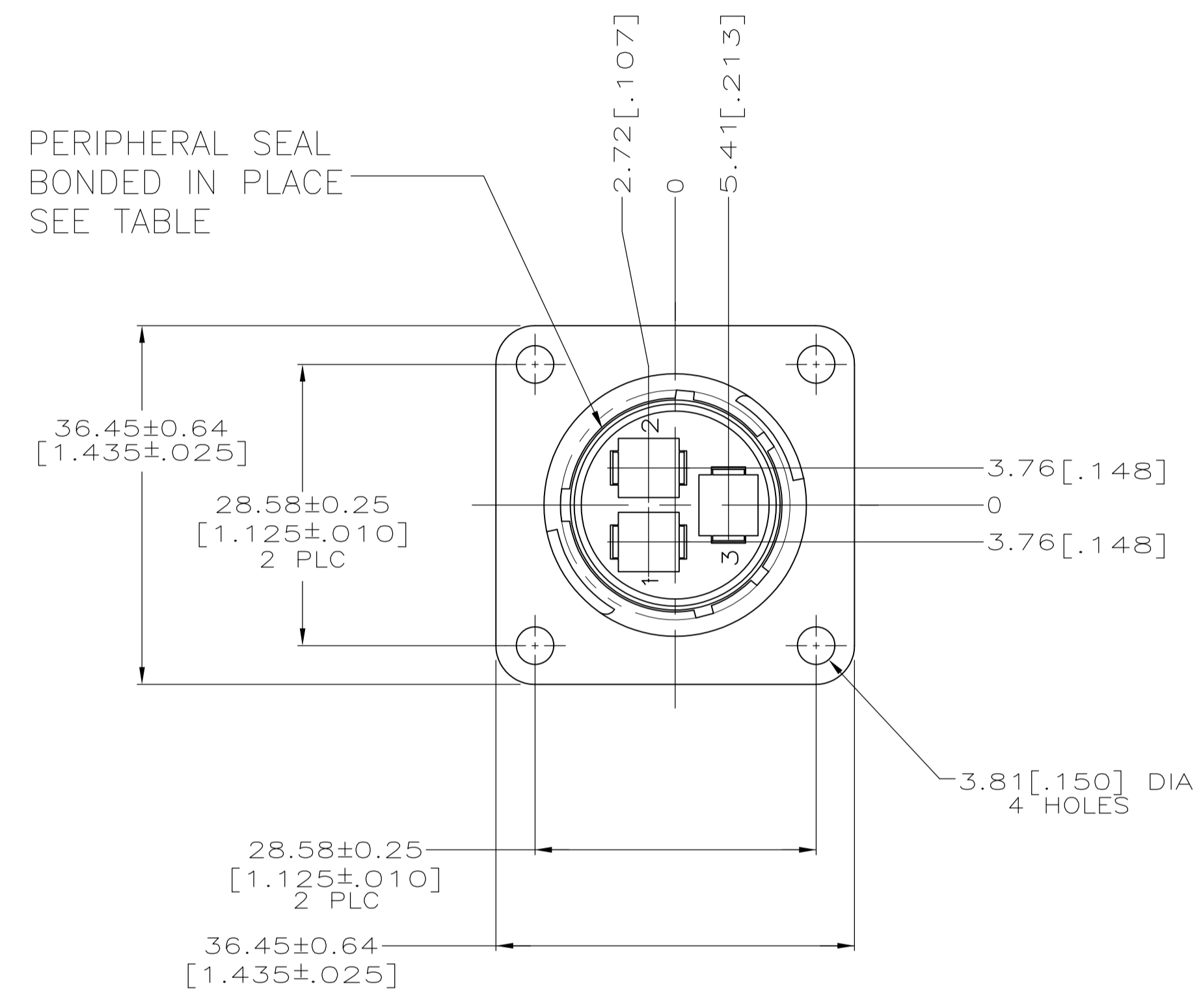
RECEPTACLE HOUSING, STD SEX, SHELL SIZE 17, CPC

108-10024

SCALE 2:1 SHEET 1 OF 3 REV T

LOC	DIST	REVISIONS				
FT	0	REV	DESCRIPTION	DATE	BY	APPROV
-	-	1	SEE SHEET 1	-	-	-

- 1 CAVITY IDENTIFICATION ON FRONT AND REAR FACE.
- 2 WILL ACCEPT (3) TYPE XII PIN CONTACTS.
- 3 HOUSING: NYLON, BLACK.
PERIPHERAL SEAL: ELASTOMER, GRAY.

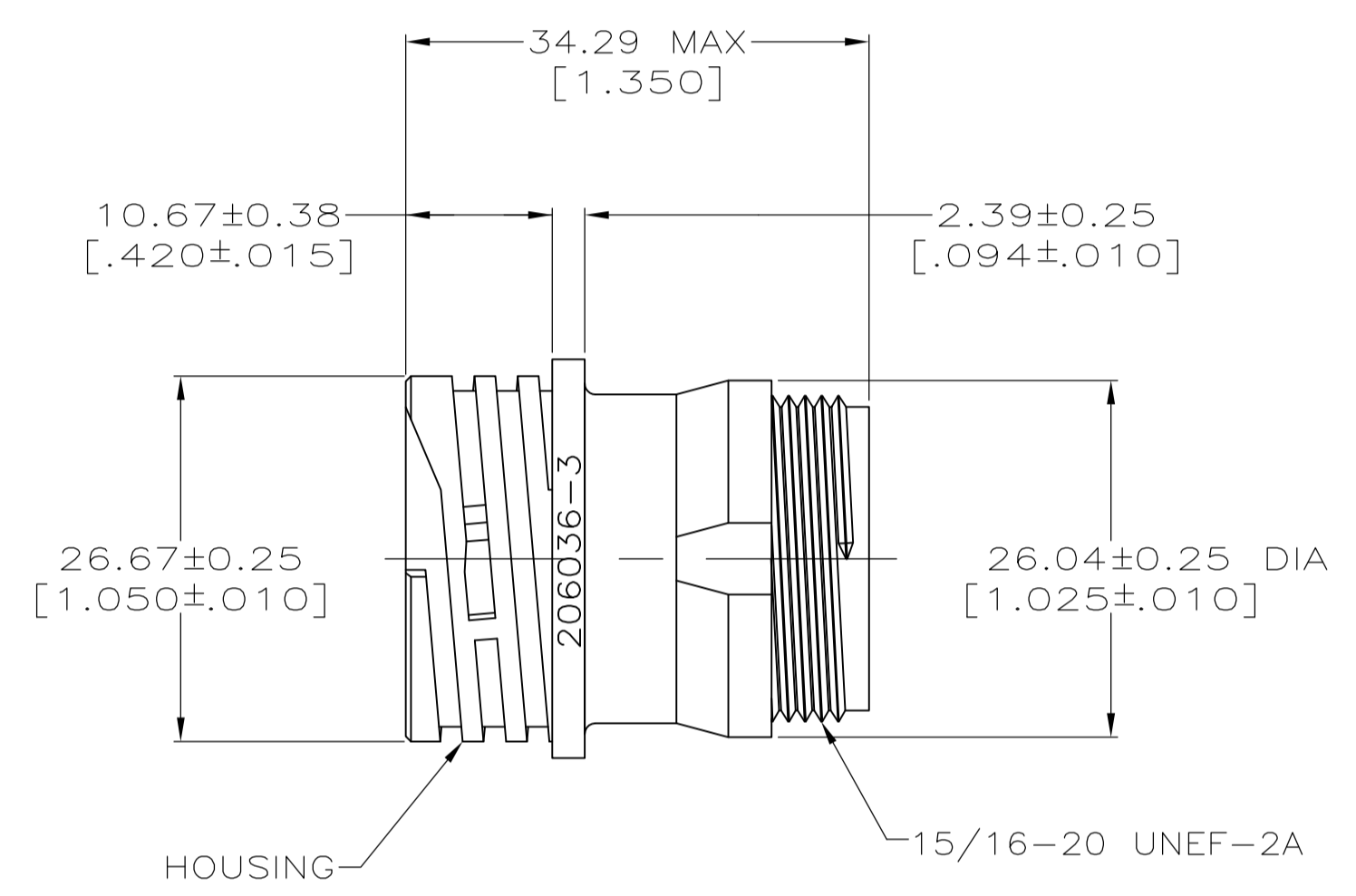
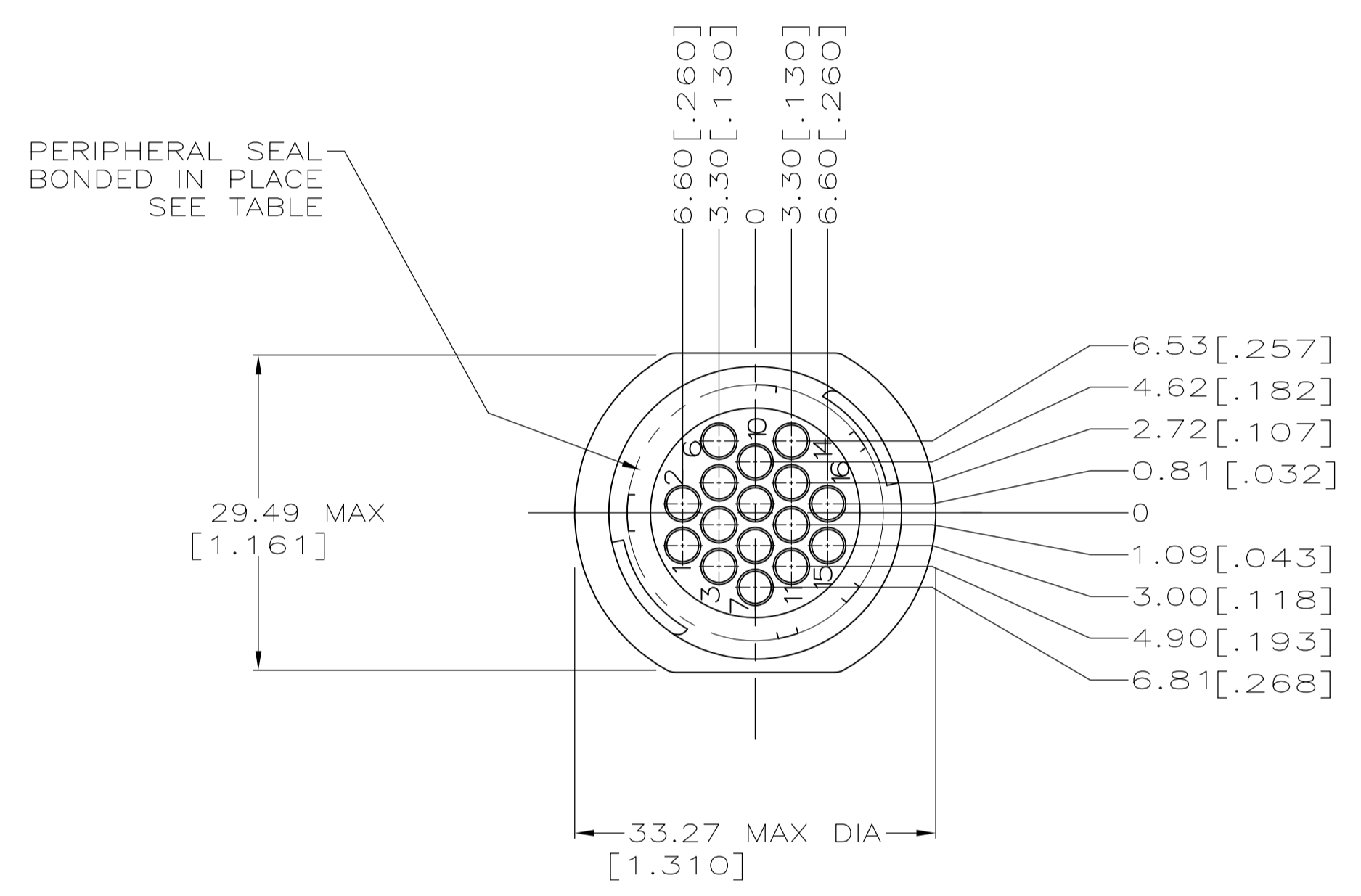


RECOMMENDED PANEL CUTOUT

PRELIMINARY	<input type="checkbox"/>	NO	YES	1-206036-6
	<input type="checkbox"/>	NO	NO	206036-2
MATERIAL	4-40 THREADED INSERTS	PERIPHERAL SEAL	PART NUMBER	
THIS DRAWING IS A CONTROLLED DOCUMENT.		DIN D. GELTZ 07/27/93 CJK R. STONE 7-22-93 APVO A. FRANTUM 8-12-93 NAME RECEPTACLE HOUSING, STD SEX, SHELL SIZE 17, CPC PRODUCT SPEC 108-10024 APPLICATION SPEC -		STE TE Connectivity SIZE CAGE CODE DRAWING NO RESTRICTED TO A1 00779 C=206036 -
DIMENSIONS: mm(INCHES)	TOLERANCES UNLESS OTHERWISE SPECIFIED:	CUSTOMER DRAWING SCALE 2:1 SHEET 2 OF 3 REV T		
0 PLC ± - 1 PLC ± - 2 PLC ± 0.13 [.005] 3 PLC ± - 4 PLC ± - ANGLES ± -	WEIGHT - FINISH -			

LOC	DIST	REVISIONS			
FT	O	REV	DESCRIPTION	DATE	BY
-	-	1	SEE SHEET 1	-	-

- 1 CAVITY IDENTIFICATION ON FRONT AND REAR FACE.
- 2 WILL ACCEPT (16) MULTIMATE PIN CONTACTS.
- 3 HOUSING: NYLON, BLACK.
PERIPHERAL SEAL: ELASTOMER, GRAY.
- 4 HOUSING: POLYESTER, PBT, BLACK.
PERIPHERAL SEAL: ELASTOMER, GRAY.



OBSOLETE	MATERIAL	PERIPHERAL SEAL	PART NUMBER
NO			1-206036-3
YES			206036-5
NO			206036-3

THIS DRAWING IS A CONTROLLED DOCUMENT.

DIMENSIONS: mm(INCHES)	TOLERANCES UNLESS OTHERWISE SPECIFIED:	DIN D. GELTZ 07/27/93	STE TE Connectivity
0 PLC ± -	1 PLC ± -	CIK 7-22-93	NAME RECEPTACLE HOUSING, STD SEX, SHELL SIZE 17, CPC
2 PLC ± -	3 PLC ± 0.13 [.005]	APVD A. FRANTUM 8-12-93	PRODUCT SPEC 108-10024
4 PLC ± -	ANGLES ± -	APPLICATION SPEC	SIZE A1
MATERIAL -	FINISH -	WEIGHT -	SCALE 2:1
CUSTOMER DRAWING		00779C=206036	SHEET 3 OF 3