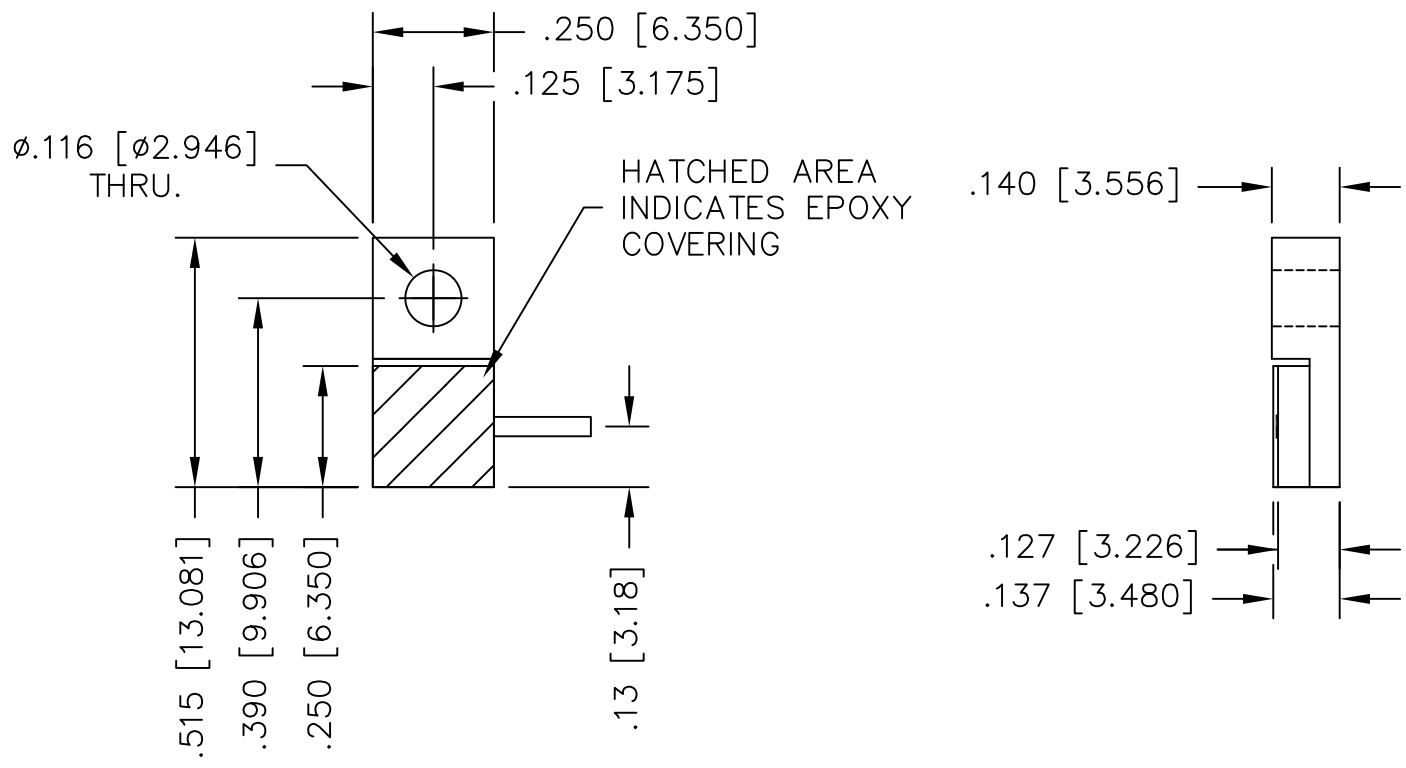


UNAUTHORIZED USE OF THIS
DRAWING IS STRICTLY PROHIBITED

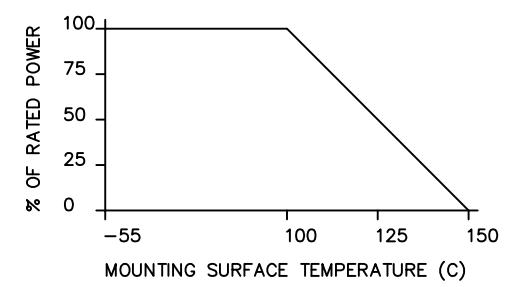
DAR	REV	DESCRIPTION	APPVD	DATE
3516	F	SEE DAR	DG	2-12
3927	G	SEE DAR	TJD	9-12
5813	H	SEE DAR	DG	9-15



NOTES:

1. LEAD MATERIAL: 99.99% PURE SILVER, .040 [1.016] WIDE x .005 [.127] THICK x .150 [3.810] MIN. LONG.
2. SUBSTRATE MATERIAL: BeO
3. COVER MATERIAL: EPOXY
4. FLANGE MATERIAL: COPPER
5. LEAD(S) WELDED TO SUBSTRATE.
6. PLATING: NICKEL
7. RoHS COMPLIANT.

POWER DERATING CURVE



PART NO.	VALUE	INPUT POWER	FREQUENCY	VSWR
IPP-TB220R-50	50 OHMS ±5%	100 WATT	DC-6.0 GHZ.	1.10:1 DC-4.2GHZ 1.25:1 DC-6.0GHZ
IPP-TB220R-100	100 OHMS ±5%	100 WATT	DC-6.0 GHZ.	2(±0.25):1

MATERIAL [2] [3]	DWN DG	DATE 6-07	
	ENG TJD	DATE 6-07	
FINISH [3]	MANUF TP	DATE 6-07	TITLE TERMINATION, 100 WATT, FLANGE
	CAGE CODE: 437R2		P/N IPP-TB220R-XXX
TOLERANCE IN [MM]	.XX ±.02 [.50] .XXX ±.010 [.254]	SHEET OF 1 1	SCALE 4:1
			REV. H