

**PLEASE CHECK WWW.MOLEX.COM FOR LATEST PART INFORMATION**

**Part Number:** [0192150027](#)  
**Status:** **Active**  
**Description:** 12-10 TO 16-14 STEP DN BUTT TP (CB-346T)

**Documents:**

[Drawing \(PDF\)](#) [RoHS Certificate of Compliance \(PDF\)](#)

**Agency Certification**

UL E32244

**General**

Product Family Splices  
 Series [19215](#)  
 Comments Step down: 10/12 to 14/16 AWG  
 Crimp Quality Equipment Yes  
 Mil-Spec N/A  
 Product Name Butt - Step Down

**Physical**

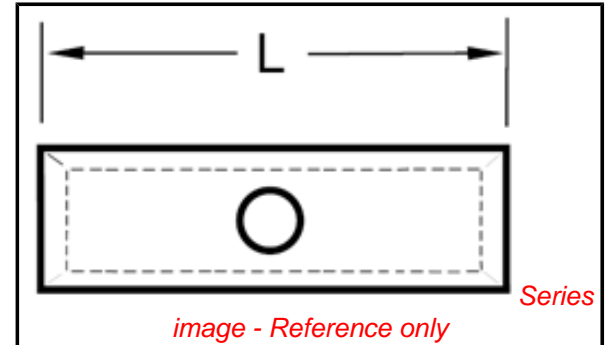
Barrel Type Closed  
 Insulation None  
 Packaging Type Adhesive Tape on Reel  
 Wire Insulation Diameter N/A  
 Wire Size AWG 10, 12, 14, 16

**Material Info**

Old Part Number CB-346T

**Reference - Drawing Numbers**

Sales Drawing SD-19215-004



**EU RoHS**

**ELV and RoHS  
Compliant**

**REACH SVHC**

**Contains SVHC: No**

**Halogen-Free**

**Status**

**Not Reviewed**

**China RoHS**



**Need more information on product  
environmental compliance?**

Email [productcompliance@molex.com](mailto:productcompliance@molex.com)  
 For a multiple part number RoHS Certificate of  
 Compliance, [click here](#)

Please visit the [Contact Us](#) section for any  
 non-product compliance questions.

**Search Parts in this Series**

[19215Series](#)

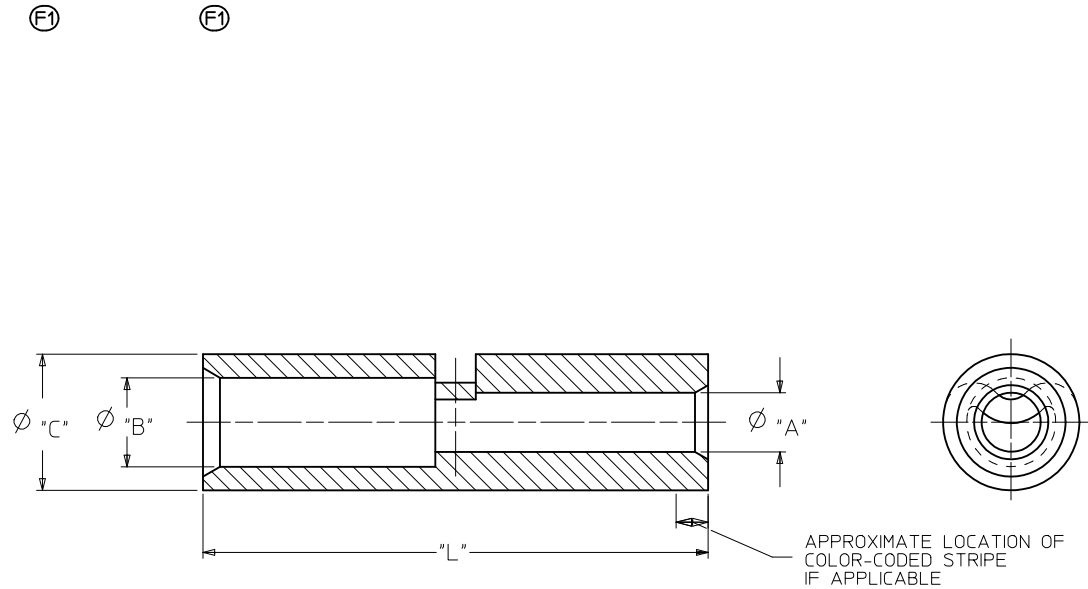
**Application Tooling | [FAQ](#)**

*Tooling specifications and manuals are  
found by selecting the products below.  
Crimp Height Specifications are then  
contained in the Application Tooling  
Specification document.*

**Global**

Description	Product #
ATP Perishable Tool Kit, Used in ATP Presses that Process Product on Tape	<a href="#">0190270088</a>
Mini-Mac™ Applicator	<a href="#">0638851000</a>

MATERIAL NUMBER	ENG. NUMBER	CODE STRIPE COLOR	"A"		"B"		"C" MAX.	"L" MAX.	CMA RANGE	
			AWG.	MIN. DIA.	AWG.	MIN. DIA.			LARGE I.D. TO	SMALL I.D.
I92150013	BA-331	RED	22-18	.071/1.80	16-14	.088/2.24	.160/4.06	.675/17.15	2050-5180	TO 509-2600
I92150023	CB-346	BLUE	16-14	.097/2.46	12-10	.137/3.48	.223/5.66	.827/21.0	5180-13,100	TO 2050-5180
I92150037	DC-354	YELLOW	12-10	.139/3.53	#8	.172/4.37	.291/7.39	.854/21.69	13,100-20,800	TO 5180-13,100
I92150042	ED-362	RED	#8	.182/4.62	#6	.237/6.02	.375/9.53	1.045/26.54	20,800-33,100	TO 13,100-20800



# SALES DRAWING

- NOTES:
- MATERIAL: COPPER  
FINISH: ELECTRO-TIN
  - DELETED
  - PART IS ROHS COMPLIANT.

(F1)

<b>CORRECTED DIMS</b> EC NO: WNA2010-0735 DRW: HETHRODAHL 2010/05/26 CHKD: JMAGNEIL 2010/05/26 APPR: JMAGNEIL 2010/06/04	QUALITY SYMBOLS	GENERAL TOLERANCES (UNLESS SPECIFIED)	DIMENSION STYLE	SCALE	DESIGN UNITS	THIRD ANGLE PROJECTION															
	$\nabla=0$ $\nabla=0$	<table border="1"> <tr> <th></th> <th>mm</th> <th>INCH</th> </tr> <tr> <td>4 PLACES</td> <td>± .005</td> <td>± .0005</td> </tr> <tr> <td>3 PLACES</td> <td>± .005</td> <td>± .0005</td> </tr> <tr> <td>2 PLACES</td> <td>± .005</td> <td>± .0005</td> </tr> <tr> <td>1 PLACE</td> <td>± .005</td> <td>± .0005</td> </tr> </table>		mm	INCH	4 PLACES	± .005	± .0005	3 PLACES	± .005	± .0005	2 PLACES	± .005	± .0005	1 PLACE	± .005	± .0005	IN/MM	5:1	INCH	
		mm	INCH																		
	4 PLACES	± .005	± .0005																		
3 PLACES	± .005	± .0005																			
2 PLACES	± .005	± .0005																			
1 PLACE	± .005	± .0005																			
DESCRIPTION	<table border="1"> <tr> <th>DRAWN BY</th> <th>DATE</th> </tr> <tr> <td>RMARSHALL</td> <td>91/10/28</td> </tr> <tr> <th>CHECKED BY</th> <th>DATE</th> </tr> <tr> <td>RDEROSS</td> <td>91/10/28</td> </tr> <tr> <th>APPROVED BY</th> <th>DATE</th> </tr> <tr> <td>RDEROSS</td> <td>91/10/28</td> </tr> </table>	DRAWN BY	DATE	RMARSHALL	91/10/28	CHECKED BY	DATE	RDEROSS	91/10/28	APPROVED BY	DATE	RDEROSS	91/10/28	TITLE	STEP DOWN BUTT CONNECTOR VERSAKRIMP						
DRAWN BY	DATE																				
RMARSHALL	91/10/28																				
CHECKED BY	DATE																				
RDEROSS	91/10/28																				
APPROVED BY	DATE																				
RDEROSS	91/10/28																				
REV	MATERIAL NO.	SEE CHART	DOCUMENT NO.	MOLEX INCORPORATED																	
F1	SIZE	B	SD-19215-004	SHEET NO. 1 OF 1																	
	THIS DRAWING CONTAINS INFORMATION THAT IS PROPRIETARY TO MOLEX INCORPORATED AND SHOULD NOT BE USED WITHOUT WRITTEN PERMISSION																				