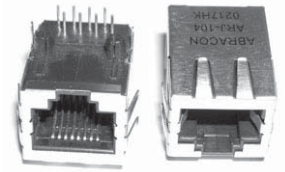


# GIGABIT RJ45 LAN MAGNETIC

## ARJ-10XX SERIES



### FEATURES:

- Low cost 1x1 Tab-Down RJ45
- Available with or without LED
- Suitable CAT 5 & 6 cable and UTP
- Comply IEEE 802.3ab

### OPTIONS:

- PVC tube package

### APPLICATIONS:

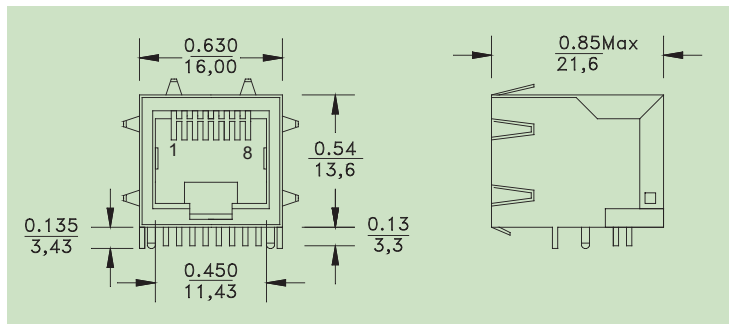
- LAN Magnetic with RJ45
- 1000Base-T Intergrated Magnetic
- NIC, LoM and PC

### STANDARD SPECIFICATIONS:

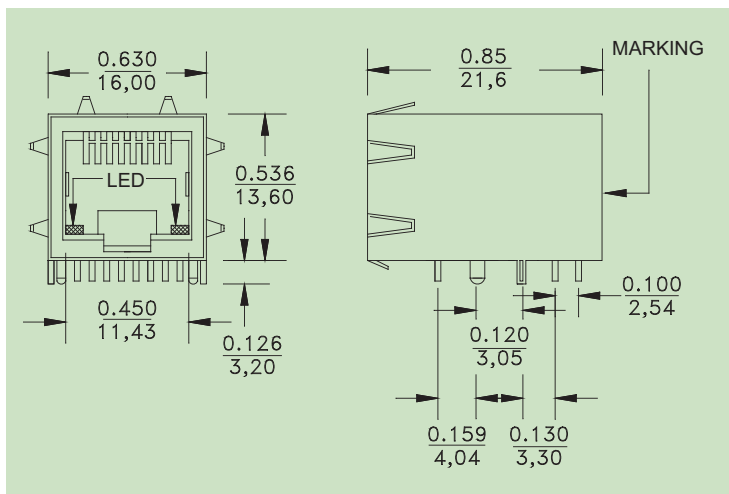
Part No.	Turns Ratio ( $\pm 2\%$ )		Return Loss (dB Min) MHz				CMRR (dB Min) MHz			Xtalk (dB Min)MHz	
	TX	RX	1-30	40	50	60-80	30	60	100	1-60	60-80
ARJ-1001	1CT:1CT	1CT: 1CT	-16	-13.5	-11.5	-10	-35	-32	-30	-40	-38
ARJ-1002	1CT:1CT	1CT: 1CT	-16	-13.5	-11.5	-10	-35	-32	-30	-40	-38
ARJ-1003	1CT:1CT	1CT: 1CT	-16	-13.5	-11.5	-10	-35	-32	-30	-40	-38
ARJ-1004	1CT:1CT	1CT: 1CT	-16	-13.5	-11.5	-10	-35	-32	-30	-40	-38

Part No.	Xtalk (dB Min)MHz			Schematic
	30	60	100	
ARJ-1001	-40	-36	-30	A
ARJ-1002	-40	-36	-30	B
ARJ-1003	-40	-36	-30	C
ARJ-1004	-40	-36	-30	D

### DIMENSIONS WITHOUT LED:



### DIMENSIONS WITH LED:



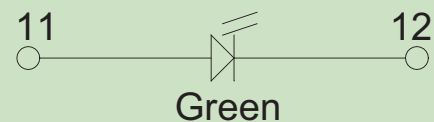
### TECHNICAL INFORMATION:

- I.L.: -1.1 dB Max @ 1MHz to 100MHz
- OCL: 350 $\mu$ H min @ 100KHz, 0.1V<sub>RMS</sub> 8mA DC
- Hipot: 1500 V<sub>RMS</sub> 1 Minute min
- Add D after the part number for with LED  
2.1V 10mA forward typical
- Operating Temperature: 0°C to +70°C
- Extended temperature subject to request

### NOTES:

1. Tolerance comply with F.C.C. dimension requirement
2. Housing material: Glass filled polyester UL94V-0
3. Contact material: Phosphor bronze  
t = 0.014 inch / 0.35 mm
4. Plating:
  - a. Contact area selective ( 30  $\mu$ inch ) gold plating
  - b. Tail ~150  $\mu$ inch tin-lead min over 150  $\mu$ inch nickel
5. Operating life: 750 cycles min

Note: All specifications subject to change without notice.



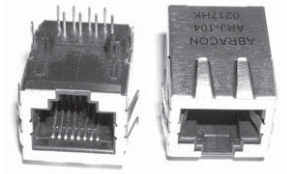
Green



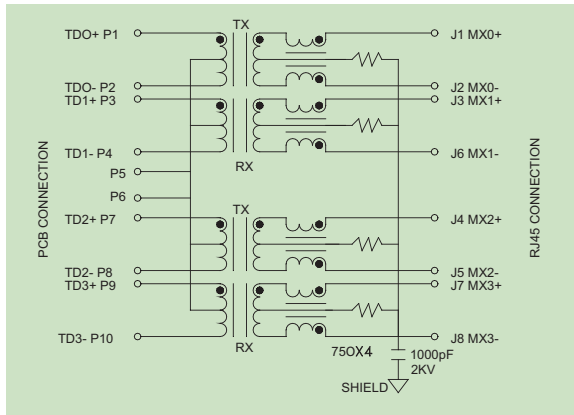
Yellow

# GIGABIT RJ45 LAN MAGNETIC

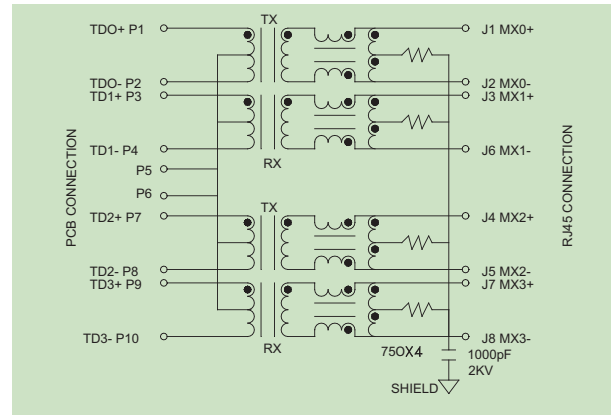
## ARJ-10XX SERIES



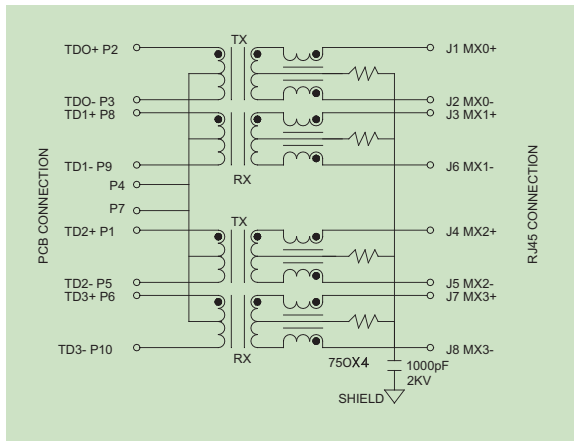
### SCHEMATIC A:



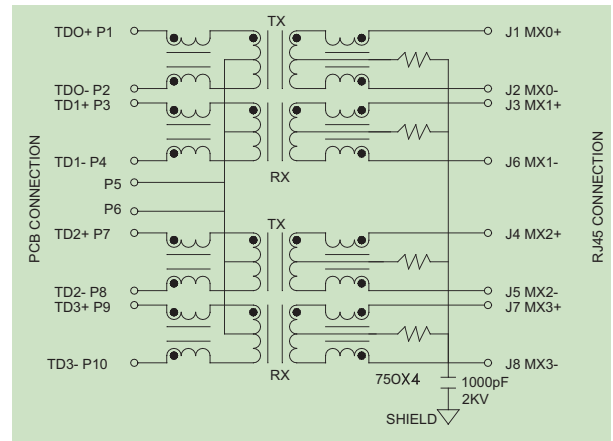
### SCHEMATIC C:



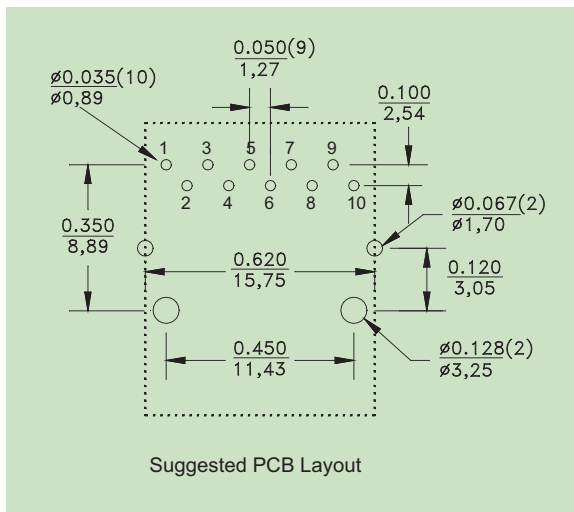
### SCHEMATIC B:



### SCHEMATIC D:



### LANDED PATTERN WITHOUT LED:



### LANDED PATTERN WITH LED:

