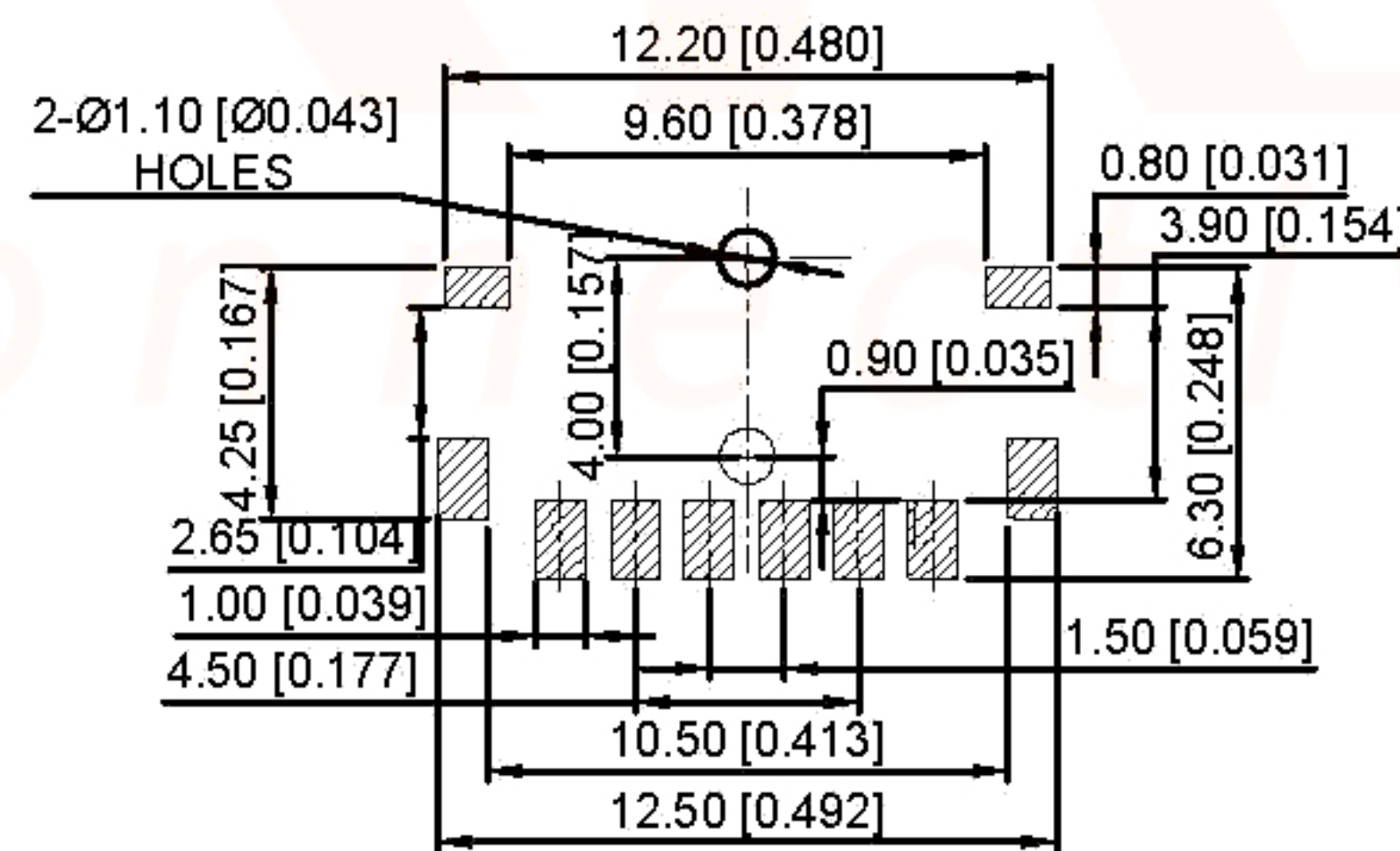
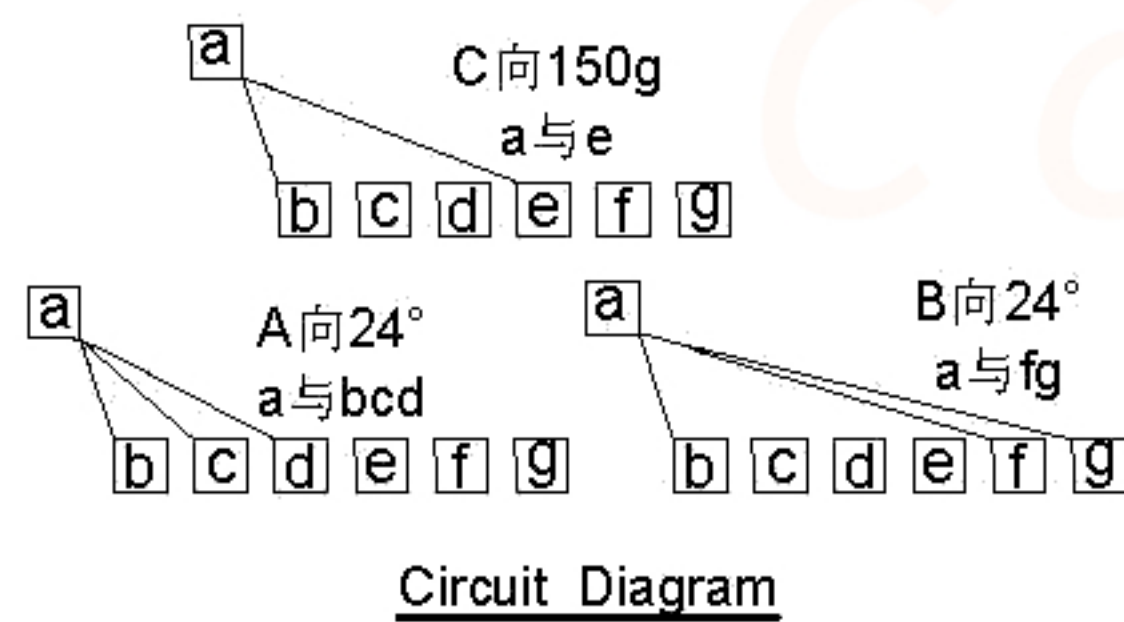


NOTE:  
Operating Force:  
lever portion  $70 \pm 40$  gf  
Push portion  $200 \pm 40$  gf



P.C.B Mounting  
Pattern Dimension

ITEM	PAPT NAMF	TER.NO	QTY	MATERIAL	FINISHING	REMARK
⑥	Terminal	—	8	Brass	Plating silver	—
⑤	Contact	—	1	F.ag/Brass	Plating silver	—
④	Base	—	1	Pa46	—	—
③	Spring	—	1	Sus	Natural	—
②	Cover	—	1	Sus	Natural	—
①	Keystake	—	1	Pa46	—	—

MARK	DESCRIPTION	DATE	REVISED	APPROVED	UNSPECIFIED TOLERANCES	DSND	DATE	SCALE: N/A	MODEL TYPE: MULTI-FUNCTIONAL SWITCH
ΔX					ANGLAR ±5°	DWN	DATE	VIEW:	PART NO.:
ΔX					L ≤ 4 ±0.2	CHKD	DATE	UNIT: mm/in	DWG NO.:
ΔX					4 < L ≤ 16 ±0.3	APPD	DATE	SIZE: A4	TM-2103
					16 < L ≤ 63 ±0.4				
					L > 63 ±0.5				
						XKB INDUSTRIAL PRECISION CO., LIMITED			WEIGHT 1.0g
									SHEET 1/1
									REVISION A0