

# OC 025

## Optocoupler • Axial Leaded • Epoxy Molded

### ABSOLUTE MAXIMUM RATINGS

#### LED

- Forward DC Current 50 mA
- Surge Current (tp = 10 μs) 500 mA
- Reverse Voltage 5 V
- Power Dissipation (25°C) 100 mW

#### Photodiode

- Reverse Voltage 2,500 V
- Power Dissipation 125 mW

- Storage Temperature -40°C to +125°C
- Operating Temperature -40°C to +100°C
- Isolation Test Voltage 6 kV (From Pins 5 & 6 to Pins 1 - 4)

### ELECTRICAL CHARACTERISTICS

#### LED

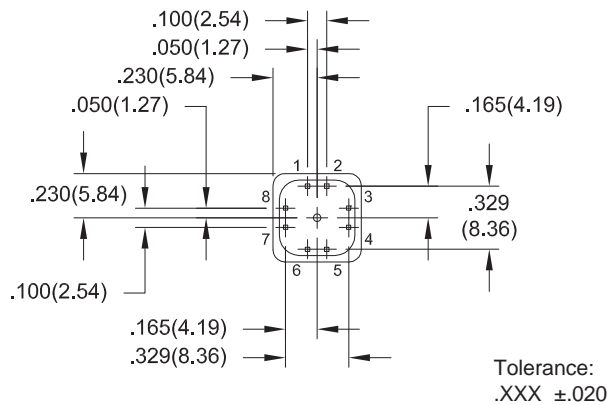
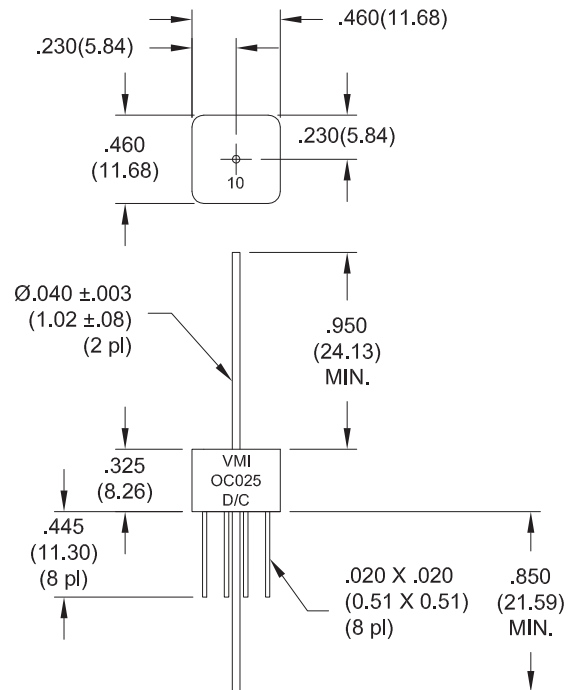
- Forward Voltage 1.7 V MAX  
(If = 100 mA, tp = 20 μs)
- Reverse Leakage Current 10 μA MAX  
VR = 5 V

#### Photodiode

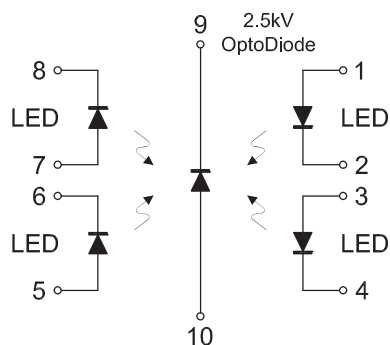
- Forward Voltage (If = 25 mA) 6.0 V MAX
- Reverse Leakage Current  
VR = 2,500 kV, I<sub>LED</sub> = 0 mA 100 nA Typical  
VR = 2,500 kV, I<sub>LED</sub> = 50 mA 450 μA Typical

#### Coupled

- DC Current Transfer Ratio 0.76% MIN  
(I<sub>LED</sub> = 50 mA, VR = 10 kV)
- t<sub>ON</sub> (Typical) 2 μs
- t<sub>OFF</sub> (Typical) 2 μs  
(25°C UNLESS OTHERWISE NOTED)



### Simplified Circuit Schematic



Dimensions: In. (mm) • All temperatures are ambient unless otherwise noted. • Data subject to change without notice.



Voltage Multipliers Inc.

8711 W. Roosevelt Ave.  
Visalia, CA 93291 USA

Tel: 559.651.1402  
Fax: 559.651.0740

[www.voltagemultipliers.com](http://www.voltagemultipliers.com)  
[www.highvoltagepowersupplies.com](http://www.highvoltagepowersupplies.com)

