

# Class 2 UL5085-3 Transformer

## 5VA - 30VA, Inherently Energy Limited

### Series: CL - Lead Wires & Quick-Connects

- Power Rating 5VA to 30VA with Lead wires
- Power Rating 10VA to 30VA with Quick-Connect Terminals
- No Secondary Fusing Required
- Frequency 50/60Hz
- Insulation Class F (155°C)



#### Agency Approvals:

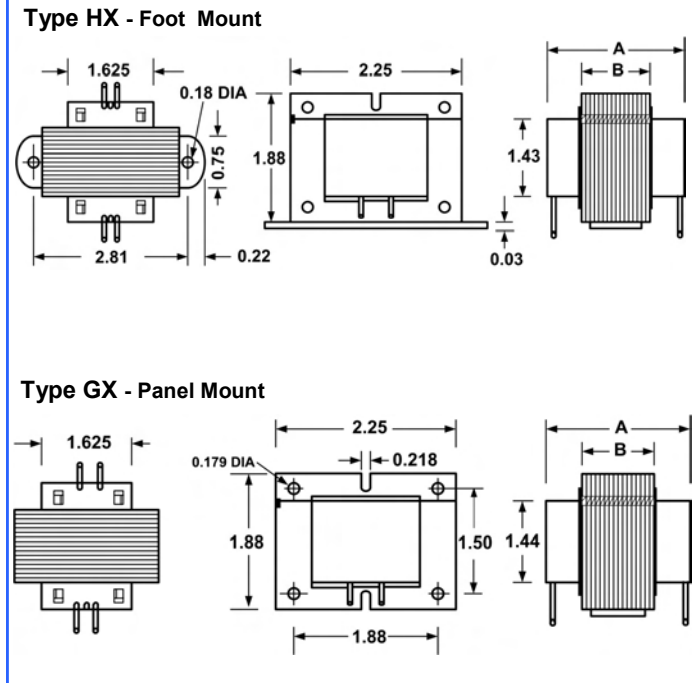
- UL/cUL 5085-3 Class 2 Recognized (File E49606)
- Insulation File No. E95662



\* Multi voltage combinations are available - consult factory.

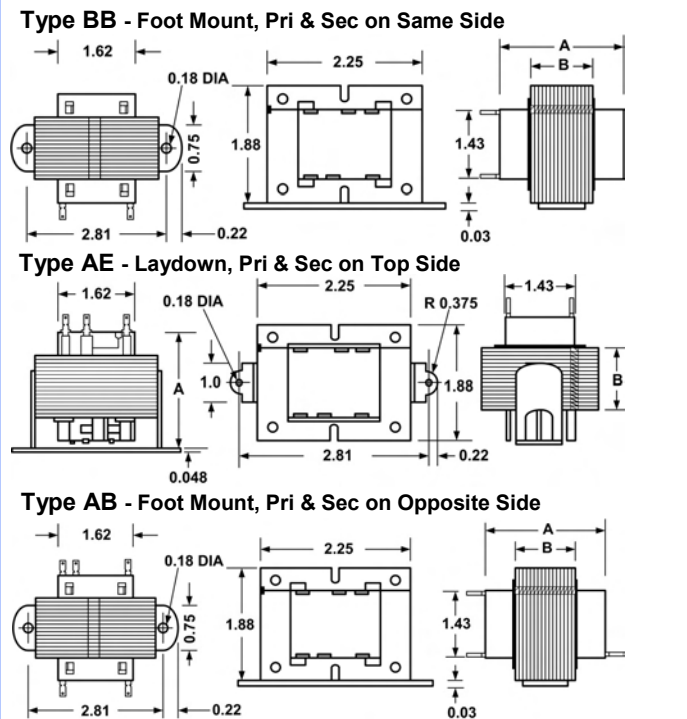
#### Lead Wires

**Type HX** Foot Mount - Steel bracket welded to the bottom of the laminations for easy mounting  
**Type GX** Panel Mount - 0.179" (4.55 mm) diameter holes in each corner to allow direct mounting to a panel.  
**Lead Wires:** All leads are 18 AWG stranded 2/64" (0.794 mm) insulation thickness. Standard parts have 12" (305 mm) total length with 1/2" (12.7 mm) strip.



#### Quick-Connects

**Type BB** Foot Mount, Pri & Sec on Same Side - Quick connect terminals with line and load terminations on the same side of transformer.  
**Type AE** Laydown, Pri & Sec on Top Side - Quick connect terminals with line and load terminations on the top of transformer.  
**Type AB** Foot Mount, Pri & Sec on Opposite Side - Quick connect terminals with line and load terminations on opposite sides of transformer  
**Terminals:**  
 Standard male quick connects - 0.250" x 0.032" (6.35 x 0.81 mm)  
 Other available quick connects - 0.187" x 0.032" (4.75 x 0.81 mm)



Dimensions (Inches)	5VA	10VA	15VA	20VA	30VA
A	1.660	1.660	1.760	1.790	2.160
B	0.500	0.500	0.625	0.625	1.000
Weight (Lbs)	0.710	0.740	0.889	0.968	1.260

Any application, Any requirement, Contact us for our Custom Designs

**Class 2 UL5085-3 Transformer**  
**5VA - 30VA, Inherently Energy Limited**  
**Series: CL - Lead Wires & Quick-Connects**



**Partial Selection Guide**

Primary Voltage	Secondary Voltage	5 VA Size - 3/4" X 1/2"	UL	10 VA Size - 3/4" X 1/2"	UL	15VA Size - 3/4" X 1/2"	UL	20 VA Size - 3/4" X 5/8"	UL	30 VA Size - 3/4" X 1.0"	UL
208/230	24Vct	CL05X00-0CT*	✓	CL10A00-000*	-	CL15B00-000*	-	CL20C00-000*	✓	CL30M00-000*	✓
120	24	CL05X01-000*	✓	CL10A01-000*	✓	CL15B01-000*	-	CL20C01-000*	✓	CL30M01-000*	-
	24Vct	CL05X01-0CT*	✓	-	-	-	-	-	-	-	-
	12	CL05X11-000*	✓	CL10A11-000*	✓	CL15B11-000*	✓	CL20C11-000*	✓	CL30M11-000**	✓
277	24	CL05X02-000*	✓	CL10A02-000*	-	CL15B02-000*	-	CL20C02-000*	-	CL30M02-000*	-
	24Vct	CL05X02-0CT*	✓	-	-	-	-	-	-	-	-
120/208/240	24	CL05X03-000*	✓	CL10A03-000*	-	CL15B03-000*	-	CL20C03-000*	-	CL30M03-000*	-
	24Vct	CL05X03-0CT*	✓	-	-	-	-	-	-	-	-
480	24	CL05X04-000*	-	CL10A04-000*	-	CL15B04-000*	-	CL20C04-000*	-	CL30M04-000*	-
600	24	CL05X06-000*	✓	CL10A06-000*	-	CL15B06-000*	-	CL20C06-000*	-	CL30M06-000*	-
	24Vct	CL05X06-0CT*	✓	-	-	-	-	-	-	-	-
120/240	24	CL05X07-000*	✓	CL10A07-000*	-	CL15B07-000*	-	CL20C07-000*	-	CL30M07-000*	-
	24Vct	CL05X07-0CT*	✓	-	-	-	-	-	-	-	-
380	24	CL05X09-000*	-	CL10A09-000*	-	-	-	CL20C09-000*	-	CL30M09-000*	-
240	24	CL05X40-000*	✓	CL10A40-000*	-	CL10B40-000*	-	CL20C40-000*	-	CL30M40-000*	-
	24Vct	CL05X40-0CT*	✓	-	-	-	-	-	-	-	-
	12	CL05X10-000*	✓	CL10A10-000*	✓	CL15B10-000*	✓	CL20C10-000*	✓	CL30M10-000**	✓
208/240	24	CL05X15-000*	✓	CL10A15-000*	-	CL15B15-000*	-	CL20C15-000*	-	CL30M15-000*	-
	24Vct	CL05X15-0CT*	✓	-	-	-	-	-	-	-	-
	12	CL05X50-000*	✓	CL10A50-000*	✓	CL15B50-000*	✓	CL20C50-000*	✓	CL30M50-000**	✓
415	24	CL05X16-000*	-	CL10A16-000*	-	-	-	CL20C16-000*	-	CL30M16-000*	-
380/415	24	CL05X17-000*	-	CL10A17-000*	-	-	-	CL20C17-000*	-	CL30M17-000*	-
575	24	CL05X21-000*	✓	CL10A21-000*	-	CL15B21-000*	-	CL20C21-000*	-	CL30M21-000*	-
	24Vct	CL05X21-0CT*	✓	-	-	-	-	-	-	-	-
208/240/277	24	CL05X23-000*	✓	CL10A23-000*	-	-	-	CL20C23-000*	-	CL30M23-000*	-
	24Vct	CL05X23-0CT*	✓	-	-	-	-	-	-	-	-
240/480	24	CL05X24-000*	-	CL10A24-000*	-	-	-	CL20C24-000*	-	CL30M24-000*	-
380/415/575	24	CL05X27-000*	-	CL10A27-000*	-	-	-	CL20C27-000*	-	CL30M27-000*	-
460	24	CL05X28-000*	-	CL10A28-000*	-	-	-	CL20C28-000*	-	CL30M28-000*	-
200/230	24	CL05X31-000*	✓	CL10A31-000*	-	CL15B31-000*	-	CL20C31-000*	-	CL30M31-000*	-
	24Vct	CL05X31-0CT*	✓	-	-	-	-	-	-	-	-

\* Refer to page number 7. Must complete part number to specify voltages, termination, mounting & fusing.  
 For custom designs 3 digit customer ID will be added at the end of the part number.

Continued...

\*\* Non-Inherently Energy Limited (secondary fusing required).

**Lead Wire Details:**

Primary Voltage	COM	110,115,120	200,208,215	220, 230, 240	265, 277	380	400, 415	460, 480	575	600
Color	Black	White	Red	Orange	Brown	Violet	Red/White	Grey	Black/Red	Black/White
Secondary Voltage	COM	12	24	Standard leads: All leads are 12.0" L.O.C (length out of coil) 1/2" strip						
Color	Blue	Yellow	Blue							

**Any application, Any requirement, Contact us for our Custom Designs**



**Class 2 UL5085-3 Transformer**  
**5VA - 30VA, Inherently Energy Limited**  
**Series: CL - Lead Wires & Quick-Connects**



**Partial Selection Guide (Continued)**

Primary Voltage	Secondary Voltage	5 VA Size - 3/4" X 1/2"	UL	10 VA Size - 3/4" X 1/2"	UL	15VA Size - 3/4" X 1/2"	UL	20 VA Size - 3/4" X 5/8"	UL	30 VA Size - 3/4" X 1.0"	UL
120/208/240/277	24	CL05X36-000*	✓	CL10A36-000*	-	—	-	CL20C36-000*	-	CL30M36-000*	-
	24Vct	CL05X36-0CT*	✓	—	-	—	-	—	-	—	-
120/277	24	CL05X41-000*	✓	CL10A41-000*	-	CL15B41-000*	-	CL20C41-000*	-	CL30M41-000*	-
	24Vct	CL05X41-0CT*	✓	—	-	—	-	—	-	—	-
208/277/480	24	CL05X42-000*	-	CL10A42-000*	-	—	-	CL20C42-000*	-	CL30M42-000*	-
277/380/415	24	CL05X43-000*	-	CL10A43-000*	-	—	-	CL20C43-000*	-	CL30M43-000*	-
208/240/480	24	CL05X44-000*	-	CL10A44-000*	-	CL15B44-000*	-	CL20C44-000*	-	CL30M44-000*	-
208	24	CL05X45-000*	✓	CL10A45-000*	-	CL15B45-000*	-	CL20C45-000*	-	CL30M45-000*	-
	24Vct	CL05X45-0CT*	✓	—	-	—	-	—	-	—	-
100	24	CL05X48-000*	✓	CL10A48-000*	-	CL15B48-000*	-	CL20C48-000*	-	CL30M48-000*	-
	24Vct	CL05X48-0CT*	✓	—	-	—	-	—	-	—	-
220	24	CL05X49-000*	✓	CL10A49-000*	-	CL15B49-000*	-	CL20C49-000*	-	CL30M49-000*	-
	24Vct	CL05X49-000*	✓	—	-	—	-	—	-	—	-
115	24	CL05X51-000*	✓	CL10A51-000*	-	CL15B51-000*	-	CL20C51-000*	-	CL30M51-000*	-
	24Vct	CL05X51-0CT*	✓	—	-	—	-	—	-	—	-
265	24	CL05X52-000*	✓	CL10A52-000*	✓	CL15B52-000*	✓	CL20C52-000*	✓	CL30M52-000*	-
	24Vct	CL05X52-0CT*	✓	CL10A52-0CT*	✓	CL15B52-0CT*	✓	CL20C52-0CT*	✓	—	-
346	24	CL05X53-000*	-	CL10A53-000*	-	CL15B53-000*	-	CL20C53-000*	-	CL30M53-000*	-
208/230/460	24	CL05X54-000*	-	CL10A54-000*	-	CL15B54-000*	-	CL20C54-000*	-	CL30M54-000*	-
400	24	CL05X55-000*	-	—	-	—	-	—	-	—	-
575/600	24	CL05X56-000*	✓	CL10A56-000*	-	—	-	CL20C56-000*	-	CL30M56-000*	-
	24Vct	CL05X56-0CT*	✓	—	-	—	-	—	-	—	-
230/460	24	CL05X59-000*	-	CL10A59-000*	-	—	-	CL20C59-000*	-	CL30M59-000*	-
115/230	24	CL05X62-000*	✓	CL10A62-000*	-	—	-	CL20C62-000*	-	CL30M62-000*	-
	24Vct	CL05X62-0CT*	✓	—	-	—	-	—	-	—	-
230	24	CL05X63-000*	✓	CL10A63-000*	-	CL15B63-000*	-	CL20C63-000*	-	CL30M63-000*	-
	24Vct	CL05X63-0CT*	✓	—	-	—	-	—	-	—	-
240/277/480	24	CL05X64-000*	-	CL10A64-000*	-	—	-	CL20C64-000*	-	CL30M64-000*	-

\* Refer to page number 7. Must complete part number to specify voltages, termination, mounting & fusing.  
 For custom designs 3 digit customer ID will be added at the end of the part number.

**Lead Wire Details:**

<b>Primary Voltage</b>	COM	110,115,120	200,208,215	220, 230, 240	265, 277	380	400, 415	460, 480	575	600
<b>Color</b>	Black	White	Red	Orange	Brown	Violet	Red/White	Grey	Black/Red	Black/White
<b>Secondary Voltage</b>	COM	12	24	Standard leads: All leads are 12.0" L.O.C (length out of coil) 1/2" strip						
<b>Color</b>	Blue	Yellow	Blue							

**Any application, Any requirement, Contact us for our Custom Designs**

