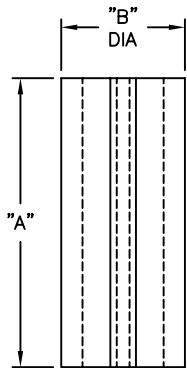
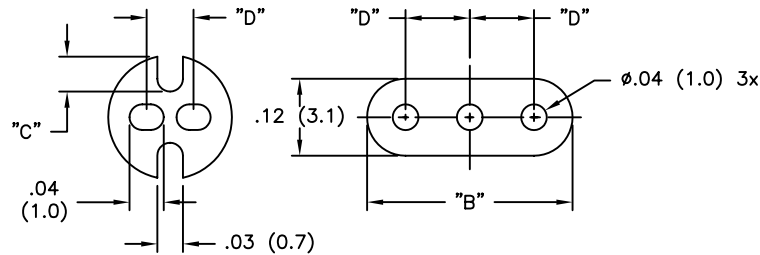
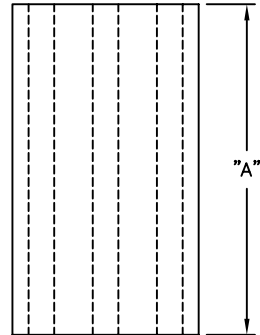


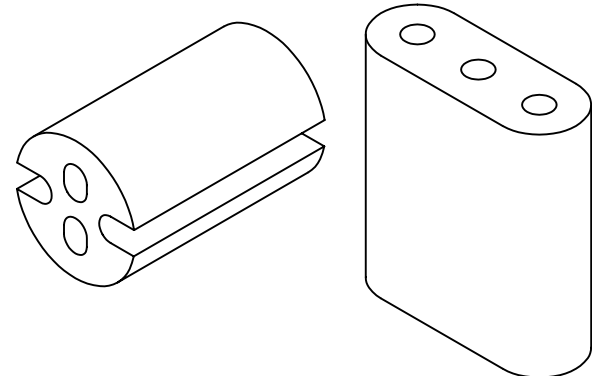
LEDS1/2



LEDS3



PART NO.	"A"±.020	"B"±.020	"C"	"D"	LED TYPE
LEDS1-4-26	1/4 (6.4)	.156 (4.0)	.047 (1.2)	.06 (1.5)	T-1
LEDS1-6-26	3/8 (9.5)				
LEDS1-8-26	1/2 (12.7)				
LEDS2-4-26	1/4 (6.4)	.188 (4.8)	.060 (1.5)	.10 (2.5)	T-13/4
LEDS2-6-26	3/8 (9.5)				
LEDS2-8-26	1/2 (12.7)				
LEDS2-10-26	5/8 (15.9)				
LEDS2-12-26	3/4 (19.1)	.32 (8.1)	-	.10 (2.5)	T-1 & T-13/4
LEDS3-3-26	3/16 (4.8)				
LEDS3-4-26	1/4 (6.4)				
LEDS3-6-26	3/8 (9.5)				
LEDS3-8-26	1/2 (12.7)				
LEDS3-10-26	5/8 (15.9)				
LEDS3-12-26	3/4 (19.1)				



NOTES:

1. MATERIAL: FLEXIBLE PVC, (RMS-26).
2. COLOR: BLACK.

TITLE: LED SPACERS		DWG IN IN (MM)		FINAL		PRINT TYPE		
E	SEE ECN #1337 FOR CHANGES	SK 07.10.07	TOLERANCES UNLESS NOTED	FILE # LEADS	DWN: S.M.	APP:	PART # SEE TABLE	
D	SEE ECN #488 FOR CHANGES	SM 10.15.02	.XX=±.020	MAT'L: SEE NOTES	DT: 03/06/01	DT:		
C	ADDED "FLEXIBLE" TO NOTE 1.	SM 04.05.01	.XXX=±.015	RE: RICHCO, INC.	RICHCO INC.			
B	COMPLETELY RE-DRAWN	SM 03.08.01	FRAC=±1/32	PO BOX 804238, CHICAGO, 60680		CA		
A	RELEASED TO PRODUCTION	SM 03.06.01	ANG=±1°	(773) 539-4060				
REV	DESCRIPTION	ENGR DATE						