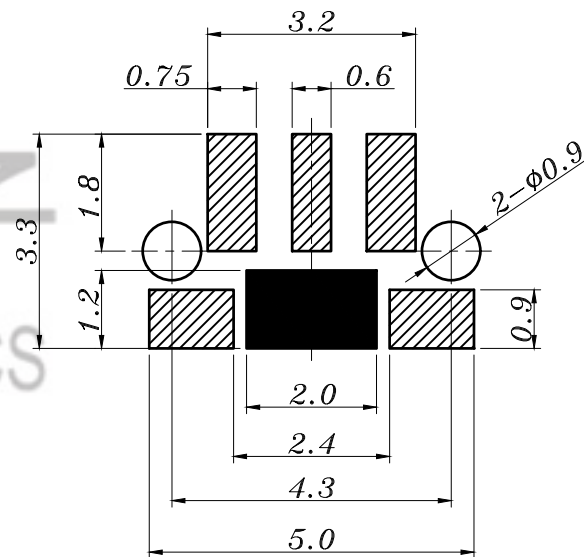
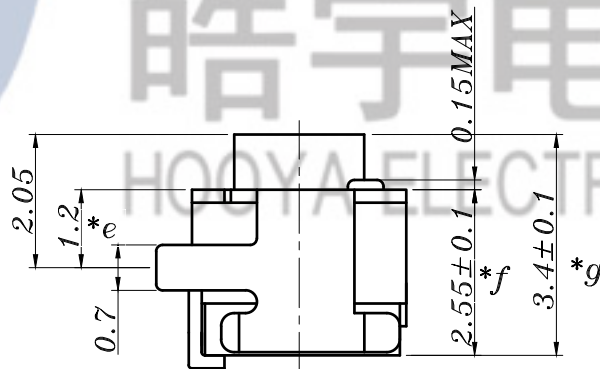




CIRCUIT DIAGRAM



P.C.B LAND DIMENSION

					TOLERANCE UNLESS SPECIFIED							
					UP TO 5mm: ±0.1	ANGULAR	1					
					ABOVE 5mm: ±0.2	±1°	NO	DATE	REVISIONS	BY	APPD	
4	CONTACT FOOT	BRASS	3	Ag-Plated	TITLE: TACT SWITCH			UNIT : MM	ROHS COMPLIANT	DWN		
3	COAT	BRASS	1	Ag-Plated	MODEL: TS-1178-C			SCALE: 1:1	CHK'D			
2	BUTTON	LCP	1		 <b>HAOYU(HONGKONG)LIMITED</b> 皓宇(香港)有限公司						APPD	
1	HOUSING	LCP	1								PRO.AGL:	
NO.	PART NAME	MATERIAL	QTY	FINISHING								