

8-Bit, 18 MSPS, Video A/D Converter with 3.3V Power Supply Operation

August 1997

Features

- Resolution 8-Bit $\pm 1/2$ LSB (DL)
- Maximum Sampling Frequency 18 MSPS
- Low Power Consumption at 18 MSPS (Typ) (Reference Current Excluded) 18mW
- Synchronizing Clamp Function
- Clamp ON/OFF Function
- Reference Voltage Self-Bias Circuit
- Input CMOS Compatible
- Three-State TTL Compatible Output
- Power Supply 3.3V Single
- Low Input Capacitance 8pF
- Reference Impedance 330 Ω (Typ)
- Direct Replacement for Sony CXD2300

Applications

- Portable Equipment
- Hand-Held Instruments

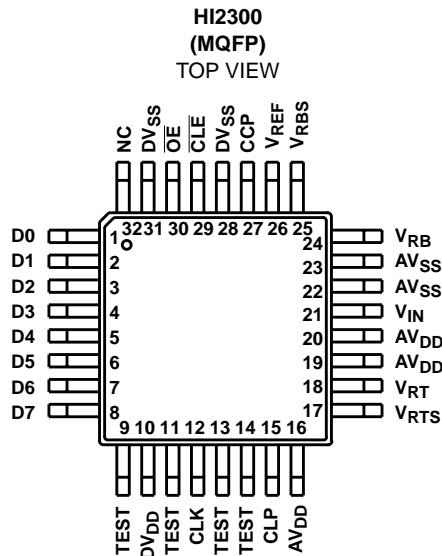
Description

The HI2300 is an 8-bit, CMOS A/D converter for video with synchronizing clamp function and can operate on 3.3V power supply. The adoption of 2 step-parallel method achieves ultra-low power consumption and a maximum conversion speed of 18 MSPS.

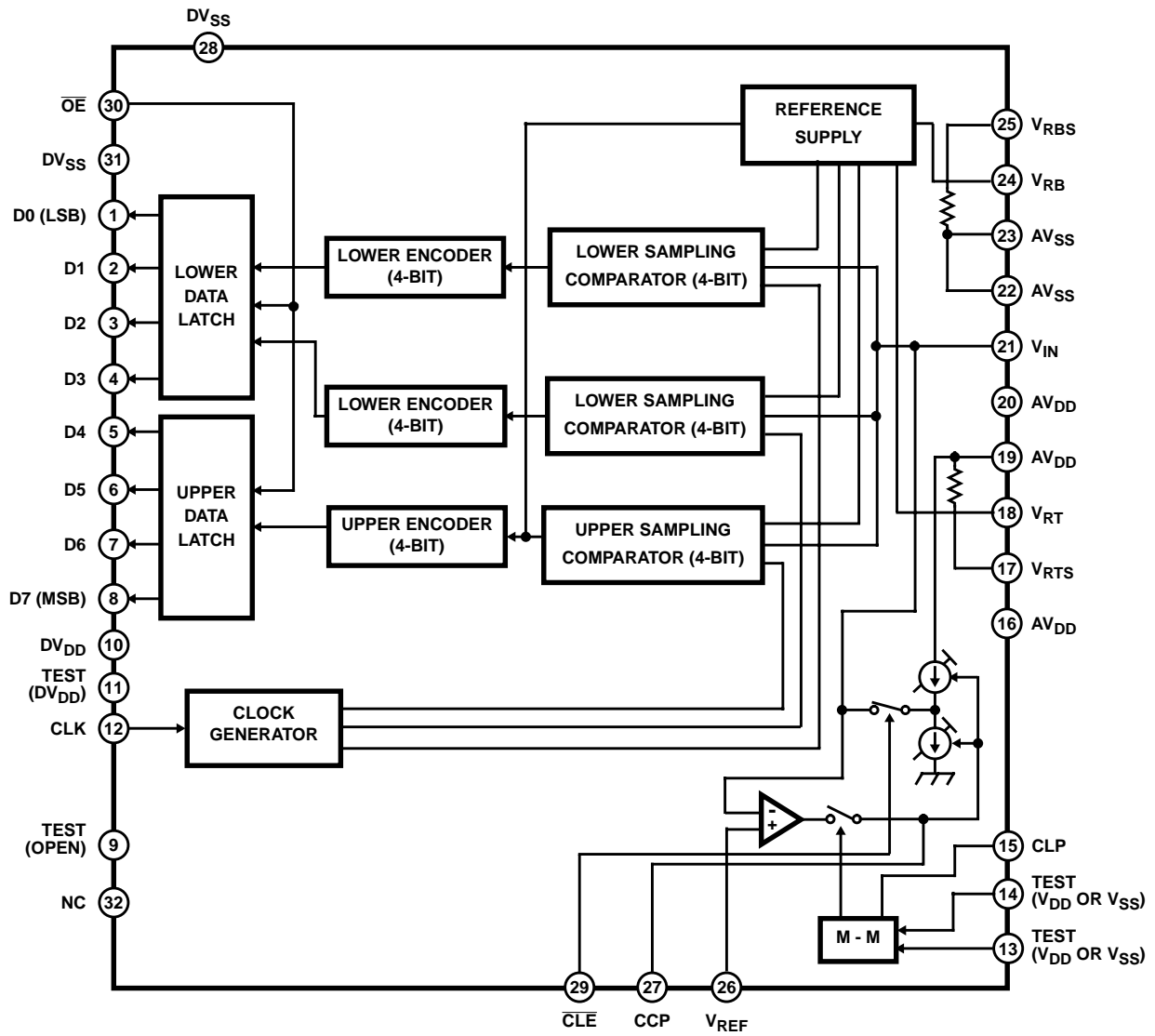
Ordering Information

PART NUMBER	TEMP. RANGE (°C)	PACKAGE	PKG. NO.
HI2300JCQ	-40 to 85	32 Ld MQFP	Q32.7x7-S

Pinout

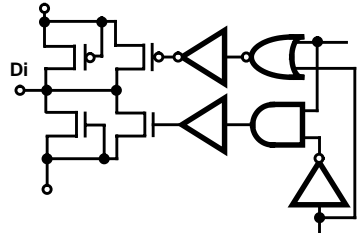
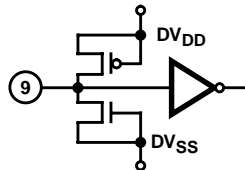
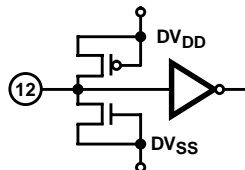
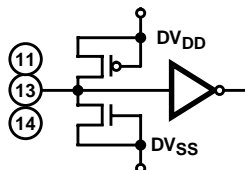
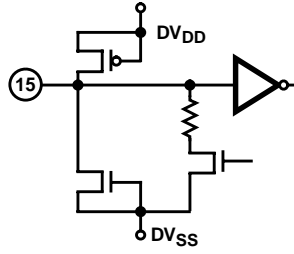
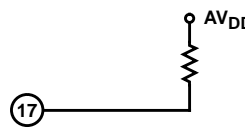
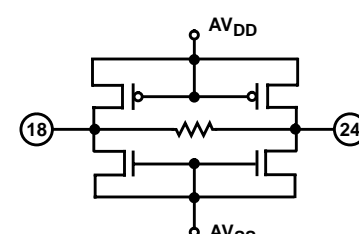


Functional Block Diagram



HI2300

Pin Descriptions

PIN NUMBER	SYMBOL	EQUIVALENT CIRCUIT	DESCRIPTION
1 to 8	D0 to D7		D0 (LSB) to D7 (MSB) Output.
9	TEST		Leave open during normal usage.
10	DV _{DD}		Digital +3.3V.
12	CLK		Clock Input.
11, 13, 14	TEST		Fix Pin 11 to V _{DD} , Pins 13 and 14 to V _{DD} or V _{SS} during normal usage.
15	CLP		Inputs Clamp Pulse to Pin 15 (CLP). Clamps the signal voltage during Low interval.
16, 19, 20	AV _{DD}		Analog +3.3V
17	V _{RTS}		Generates approximately +1.8V when shorted with V _{RT} .
18	V _{RT}		Reference Voltage (Top).
24	V _{RB}		Reference Voltage (Bottom).

Pin Descriptions (Continued)

PIN NUMBER	SYMBOL	EQUIVALENT CIRCUIT	DESCRIPTION
21	V_{IN}		Analog Input.
25	V_{BRS}		Generates approximately +0.4V when shorted with V_{RB} .
26	V_{REF}		Clamp Reference Voltage Input. Clamps so that the reference voltage and the input signal during clamp interval are equal.
27	CCP		Integrates the clamp control voltage. The relationship between the changes in CCP voltage and in V_{IN} voltage is positive phase.
28, 31	DV_{SS}		Digital Ground.
29	\overline{CLE}		The clamp function is enabled when $\overline{CLE} = \text{Low}$. The clamp function is set to off and the converter functions as a normal A/D converter when $\overline{CLE} = \text{High}$. The clamp pulse can be measured by connecting \overline{CLE} to DV_{DD} through a several-hundred-ohm resistor.
30	\overline{OE}		Data is output when $\overline{OE} = \text{Low}$. Pins D0 to D7 are at high impedance when $\overline{OE} = \text{High}$.
32	NC		No Connect pin.

HI2300

Absolute Maximum Ratings $T_A = 25^\circ\text{C}$

Supply Voltage (V_{DD})	7V
Reference Voltage (V_{RT}, V_{RB})	$V_{DD} + 0.5\text{V}$ to $V_{SS} - 0.5\text{V}$
Input Voltage, Analog (V_{IN})	$V_{DD} + 0.5\text{V}$ to $V_{SS} - 0.5\text{V}$
Input Voltage, Digital (V_{IH}, V_{IL})	$V_{DD} + 0.5\text{V}$ to $V_{SS} - 0.5\text{V}$
Output Voltage, Digital (V_{OH}, V_{OL})	$V_{DD} + 0.5\text{V}$ to $V_{SS} - 0.5\text{V}$

Thermal Information

Thermal Resistance (Typical, Note 1)	θ_{JA} ($^\circ\text{C}/\text{W}$)
MQFP Package	122
Maximum Junction Temperature (Plastic Package)	150 $^\circ\text{C}$
Maximum Storage Temperature Range	-65 $^\circ\text{C}$ to 150 $^\circ\text{C}$
Maximum Lead Temperature (Soldering 10s)	300 $^\circ\text{C}$ (MQFP - Lead Tips Only)

Recommended Operating Conditions

Temperature Range (t_{OPR})	-40 $^\circ\text{C}$ to 85 $^\circ\text{C}$	Analog Input (ADIN)	V_{RT} to V_{RB}
Supply Voltage ($IDV_{SS} - AV_{SS}$)	0 to 100mV	Clock Pulse width (t_{PW1})	27ns (Min)
Power Supply (DV_{DD}, DV_{SS})(AV_{DD}, AV_{SS})	3.14V to 4.0V	(t_{PW0})	27ns (Min)
Reference Input Voltage (V_{RB})	0.4V		
(V_{RT})	1.8V		

CAUTION: Stresses above those listed in "Absolute Maximum Ratings" may cause permanent damage to the device. This is a stress only rating and operation of the device at these or any other conditions above those indicated in the operational sections of this specification is not implied.

NOTE:

- θ_{JA} is measured with the component mounted on an evaluation PC board in free air.

Electrical Specifications

When using a single power supply; $f_C = 18$ MSPS, $V_{DD} = 3.3\text{V}$, $V_{RB} = 0\text{V}$, $V_{RT} = 1.5\text{V}$, $T_A = 25^\circ\text{C}$

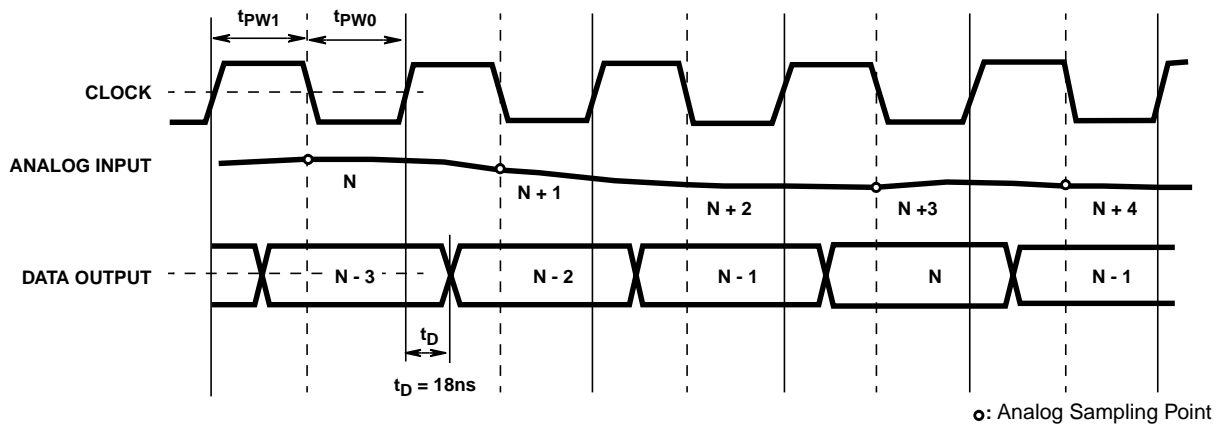
PARAMETER	SYMBOL	TEST CONDITIONS	MIN	TYP	MAX	UNITS	
Maximum Conversion Rate	f_C Max	$V_{IN} = 0$ to 1.5V	18	32	-	MSPS	
Minimum Conversion Rate	f_C Min	$f_{IN} = 1\text{kHz}$ Ramp	-	32	0.5	MSPS	
Supply Current	I_{DD}	$f_C = 18$ MSPS, NTSC Ramp Wave Input	-	5.5	10	mA	
Reference Pin Current	I_{REF}		3.3	4.6	6.6	mA	
Analog Input Band Width	BW	$V_{IN} = 1.4\text{V}_{P-P}$, 17.9MHz	-	-9	-	dB	
Analog Input Capacitance	C_{IN}	$V_{IN} = 0.75\text{V} + 0.07 V_{RMS}$	-	8	-	pF	
Reference Resistance (V_{RT} to V_{RB})	R_{REF}		230	330	440	Ω	
Self Bias I	V_{RB1}	Shorts V_{RB} and V_{RBS}	0.33	0.36	0.39	V	
	$V_{RT1} - V_{RB1}$	Shorts V_{RT} and V_{RTS}	1.30	1.39	1.48	V	
Offset Voltage	E_{OT}		-45	-25	-5	mV	
	E_{OB}		40	60	80	mV	
Digital Input Voltage	V_{IH}		2.5	-	-	V	
	V_{IL}		-	-	0.5	V	
Digital Input Current	I_{IH}	$V_{DD} = \text{Max}$			5	μA	
	I_{IL}	$V_{IL} = 0\text{V}$			-	μA	
Digital Output Current	I_{OH}	$\overline{OE} = V_{SS}$			-	mA	
	I_{OL}	$V_{DD} = \text{Min}$			-	mA	
Digital Output Current	I_{OZH}	$\overline{OE} = V_{DD}$			16	μA	
	I_{OZL}	$V_{DD} = \text{Max}$			16	μA	
Output Data Delay	t_{DL}	With TTL 1 Gate and 10pF Load	8	18	30	ns	
Three-State Output Enable Time	t_{PZH}	$R_L = 1\text{k}\Omega$, $C_L = 20\text{pF}$, $\overline{OE} = 3\text{V} \rightarrow 0\text{V}$					
	t_{PZL}						
Three-State Output Disable Time	t_{PHZ}	$R_L = 1\text{k}\Omega$, $C_L = 20\text{pF}$, $\overline{OE} = 0\text{V} \rightarrow 3\text{V}$					
	t_{PLZ}						
Integral Nonlinearity Error	E_L	$f_C = 18$ MSPS $V_{IN} = 0$ to 1.5V	-	+0.5	± 1.3	LSB	
Differential Nonlinearity Error	E_D	$f_C = 18$ MSPS $V_{IN} = 0$ to 1.5V	-	± 0.3	± 0.5	LSB	
Aperture Jitter	t_{AJ}		-	30	-	ps	
Sampling Delay	t_{SD}		-	4	-	ns	
Clamp Offset Voltage	E_{OC}	$V_{IN} = \text{DC}$ $PWS = 3\mu\text{s}$	$V_{REF} = 0.5\text{V}$	-20	0	+20	mV
			$V_{REF} = 1.5\text{V}$	-30	-10	+10	mV
Clamp Pulse Delay	t_{CPD}		-	25	-	ns	

Digital Output

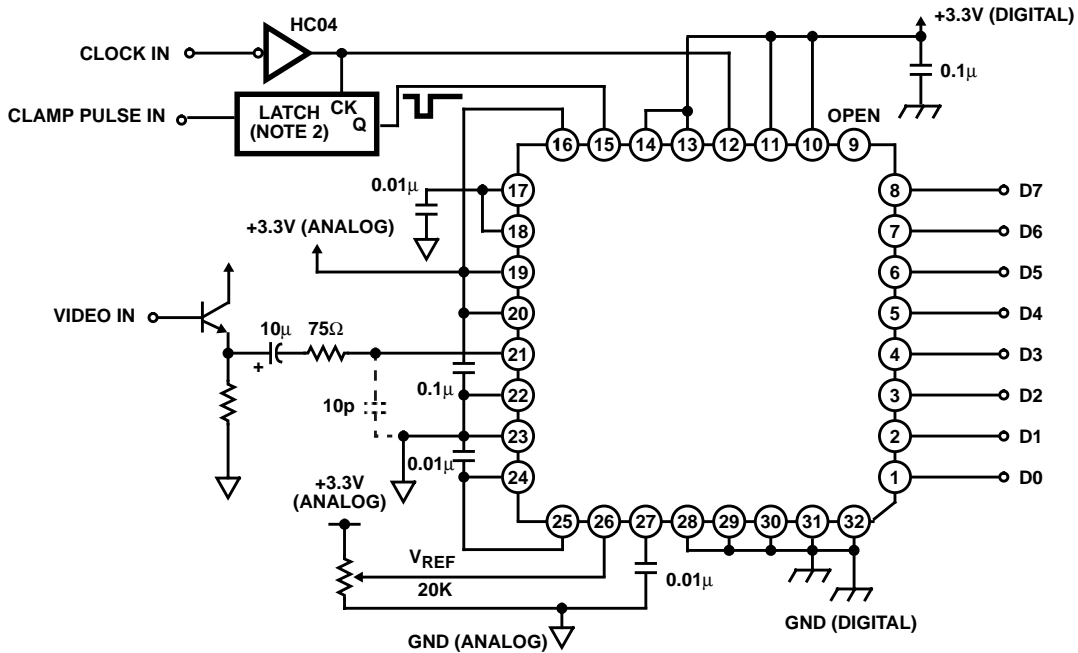
The following table shows the relationship between analog input voltage and digital output code.

INPUT SIGNAL VOLTAGE	STEP	DIGITAL OUTPUT CODE							
		MSB				LSG			
V_{RT}	0	1	1	1	1	1	1	1	1
•	•					•			
•	•					•			
•	•					•			
•	127	1	0	0	0	0	0	0	0
•	128	0	1	1	1	1	1	1	1
•	•					•			
•	•					•			
•	•					•			
V_{RB}	255	0	0	0	0	0	0	0	0

Timing Chart



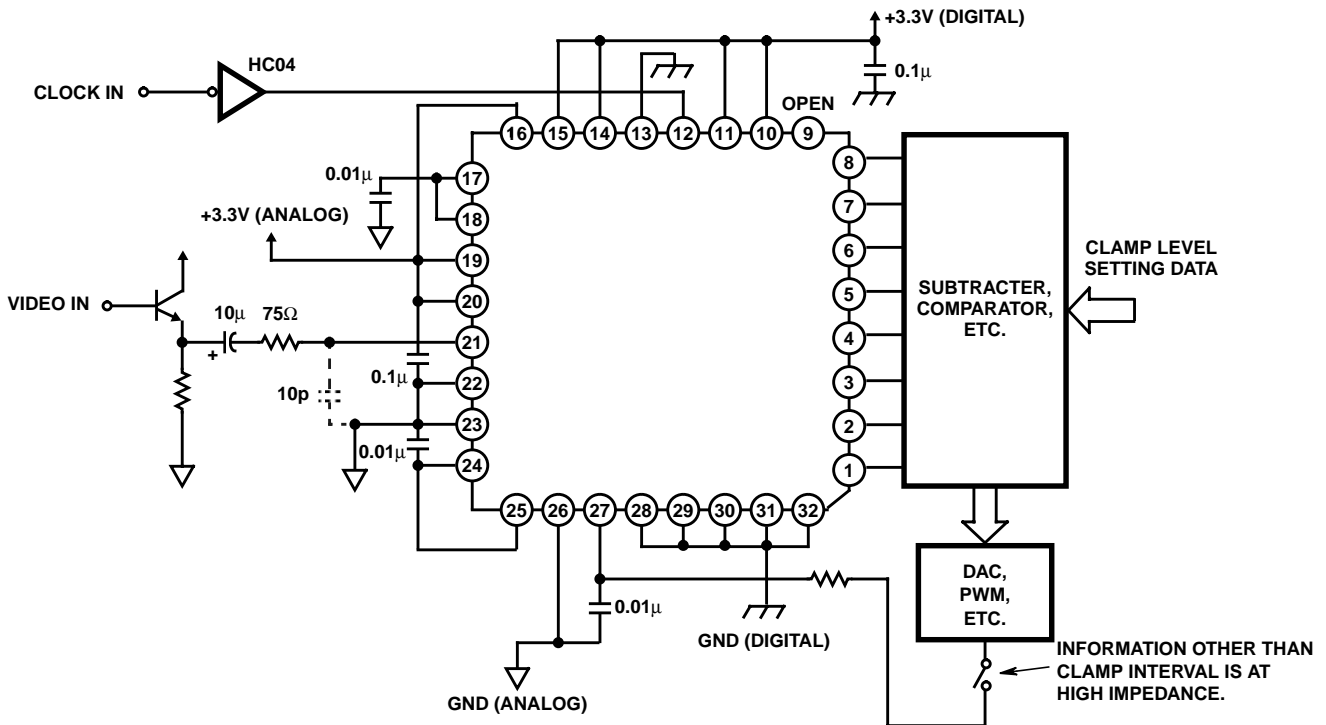
Typical Application Circuits



NOTE:

1. The clamp pulse is latched by the sampling clock of ADC, but that is not necessary for basic clamp operation. However, slight small beat may be generated as Vertical sag according to the relationship between the sampling frequency and the clamp pulse frequency. At such time, the latch circuit is effective in this case.

FIGURE 1. WHEN CLAMP IS USED (SELF BIAS)



NOTES:

2. The relationship between the changes in CCP voltage (Pin 27) and in V_{IN} voltage is positive phase.
3. $\Delta V_{IN} / \Delta V_{CCP} = 3.0$ ($f_s = 20$ MSPS).

FIGURE 2. DIGITAL CLAMP (SELF BIAS)

Typical Application Circuits (Continued)

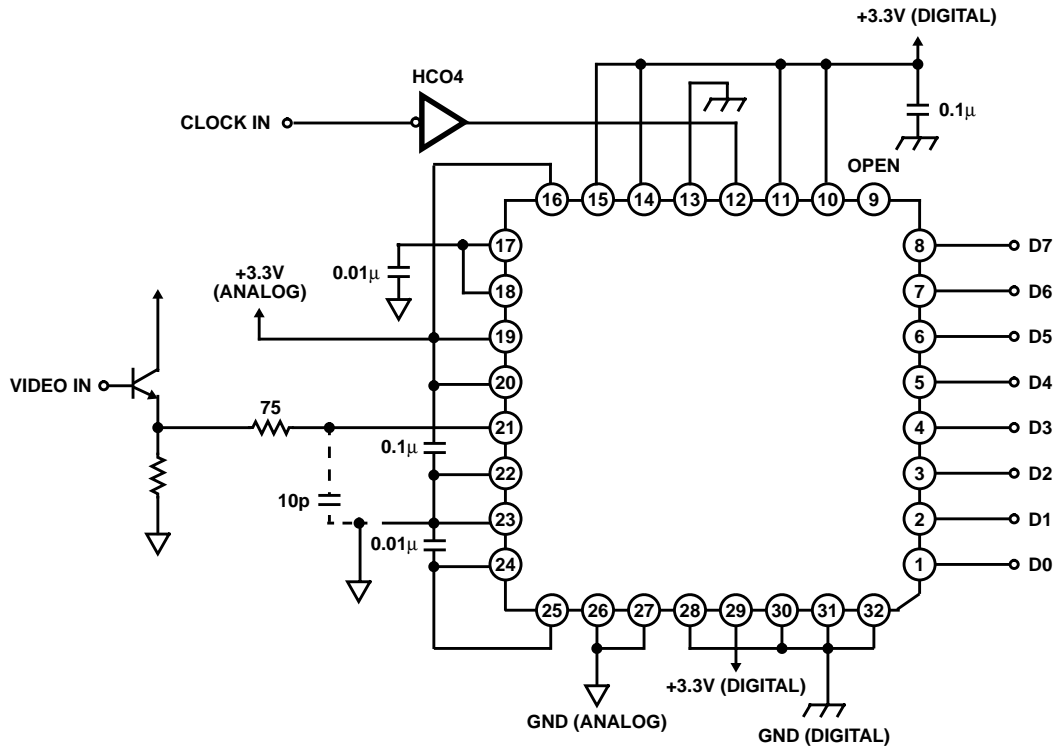


FIGURE 3. WHEN CLAMP IS NOT USED (SELF BIAS)

All Intersil semiconductor products are manufactured, assembled and tested under **ISO9000** quality systems certification.

Intersil products are sold by description only. Intersil Corporation reserves the right to make changes in circuit design and/or specifications at any time without notice. Accordingly, the reader is cautioned to verify that data sheets are current before placing orders. Information furnished by Intersil is believed to be accurate and reliable. However, no responsibility is assumed by Intersil or its subsidiaries for its use; nor for any infringements of patents or other rights of third parties which may result from its use. No license is granted by implication or otherwise under any patent or patent rights of Intersil or its subsidiaries.

For information regarding Intersil Corporation and its products, see web site <http://www.intersil.com>