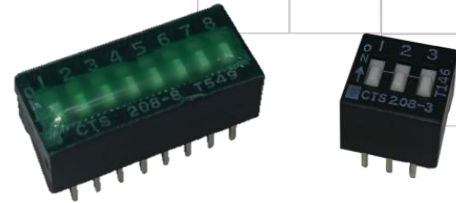




Series 208 Through-Hole DIP Switch

- Available with SPST circuit choices
- Available with low profile, standard, or extended actuator heights. Consult the ordering information for options.
- Black housing
- RoHS compliant
- Optional top tape seal for board spray washing



Description

The terminals are molded into the thermoset base and provide an electrostatic discharge shield rating to 22KV when front row of terminals are connected to ground. Tin plated contact design incorporates a dimple-to-flat surface wiping interface for contact corrosion resistance, making it the economical choice for many applications.

Ordering Information

Series	Number of Switch Positions	Actuator Height	Bottom Epoxy Seal	Top Tape Seal	Actuation Preset
208-	1	E	S	T	N

Code	No. of switch positions
1	1 position
2	2 positions
3	3 positions
4	4 positions
5	5 positions
6	6 positions
7	7 positions
8	8 positions
9	9 positions
10	10 positions
12	12 positions

Code	Spec.
Blank	Standard (0.89mm/.035")
E	Extended (3.43mm/.135")
LP	Low profile (Flush)

Code	Bottom epoxy seal
Blank	No epoxy seal
S	Epoxy seal (Required for 208-1S)

Code	Top tape seal
Blank	No top tape seal
T	Top tape seal (Not available for extended actuator or 1-position SPST DIP switch)

Code	Spec.
BLANK	Ship at OFF position
N	Ship at ON position

Notes: 1.Contact CTS for other common features not listed.



Electrical Specifications

Parameter	Conditions & Remarks	Min	Max	Unit
Contact Resistance	Initial		100	milliohms
	At end of life		500	
Insulation Resistance	Between insulated terminals	1000		Megohms
Dielectric Strength	500 VAC between adjacent switches		1	minute
Switch Capacitance	Between adjacent closed switches		5.0	pF
Nonswitching Rating			100	mA
			or 50	or VDC
Circuit	SPST	1	12	Position

Mechanical and Environmental

Actuation Life	2,000 cycles switching 50mA @ 24VDC
Soldering	Maximum wave temperature, 260°C for 5 seconds
Shock	Per MIL-STD-202F, method 213B, condition A(50G's) with no contact inconsistencies greater than 1 microsecond
Vibration	Per MIL-STD-202F, method 204D, condition B (.06" or 15G's between 10 HZ to 2K HZ) with no contact inconsistencies greater than 1 microsecond
Seal	Bottom epoxy seal optional Optional top tape seal for board spray washing
Marking	Special side or top marking available-consult CTS
Packaging:	Standard anti-static tube packaging
Operating Temperature Range	-55°C to +85°C
Storage Temperature Range	-55°C to +85°C

Mechanical Specifications

Figure 1 - SPST

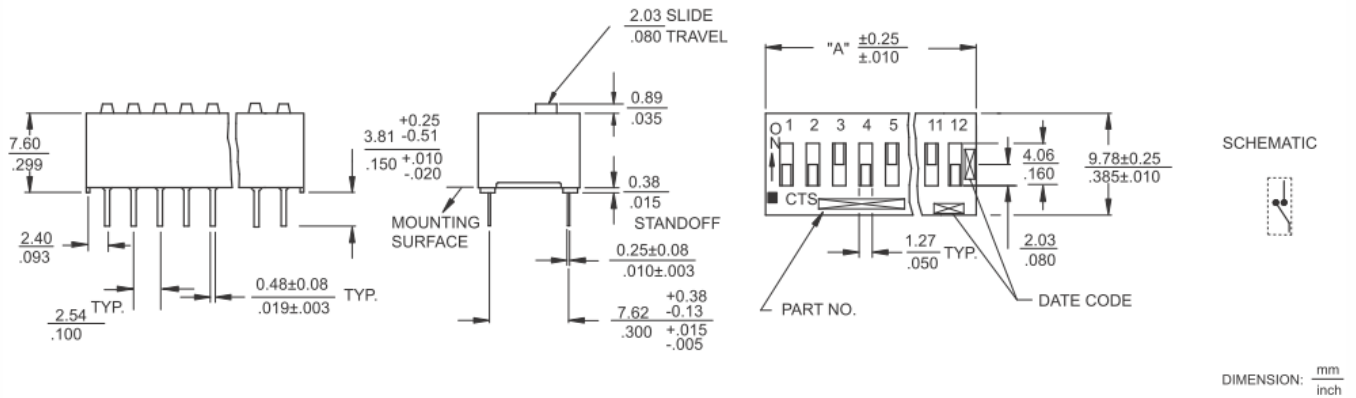


Figure 2 – Low Profile Actuators

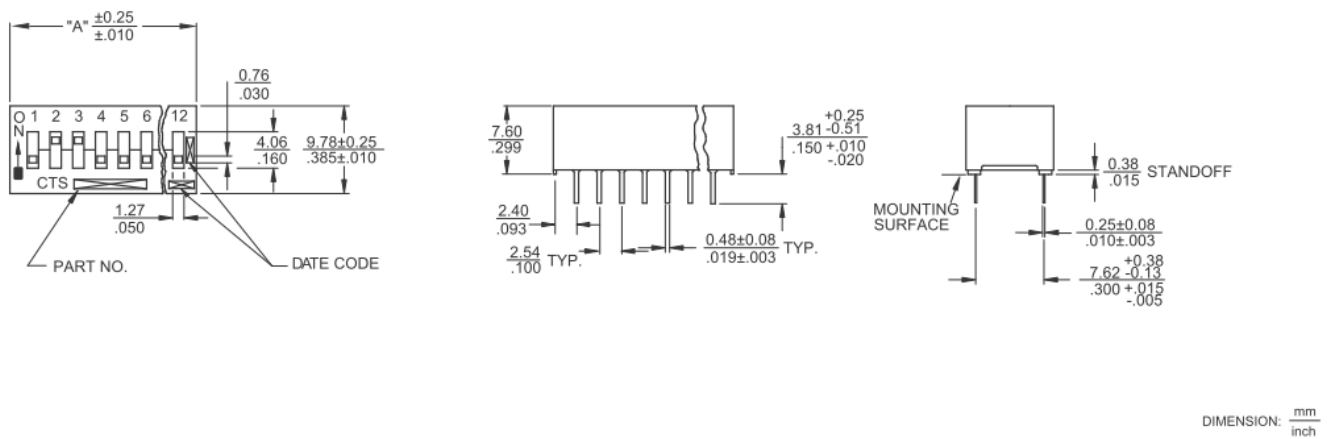
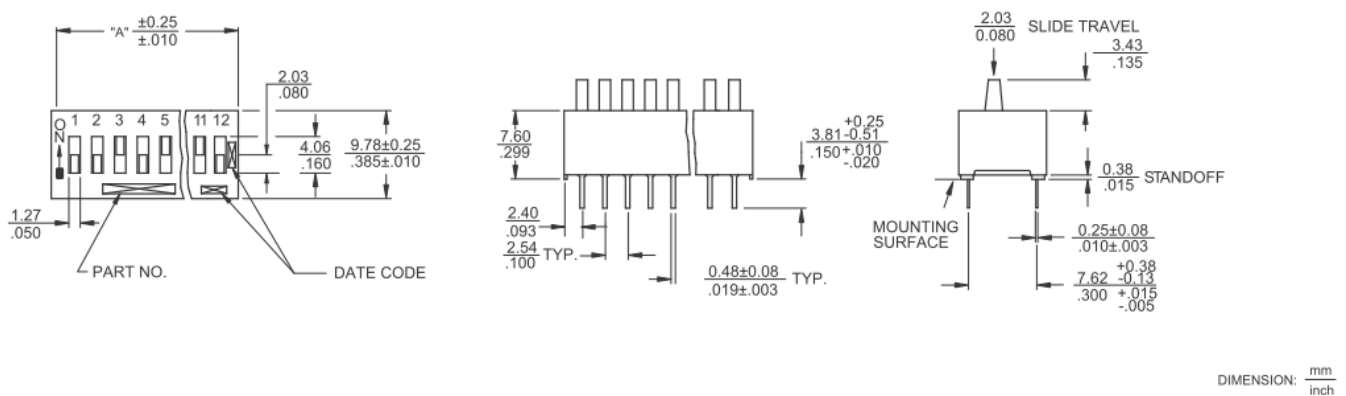


Figure 3 – Extended Actuators





"A" Overall Dimensions	Number of Switch Positions	Actuation	Part Number	Both Bottom and Top Sealed	Low Profile Both Bottom and Top Sealed
3.96 / .156		SPST	208-1S	-	-
7.26 / .286	2	SPST	208-2	208-2ST	208-2LPST
9.80 / .386	3	SPST	208-3	208-3ST	208-3LPST
12.34 / .486	4	SPST	208-4	208-4ST	208-4LPST
14.88 / .586	5	SPST	208-5	208-5ST	208-5LPST
17.42 / .686	6	SPST	208-6	208-6ST	208-6LPST
19.96 / .786	7	SPST	208-7	208-7ST	208-7LPST
22.50 / .886	8	SPST	208-8	208-8ST	208-8LPST
25.04 / .986	9	SPST	208-9	208-9ST	208-9LPST
27.58 / 1.086	10	SPST	208-10	208-10ST	208-10LPST
32.66 / 1.286	12	SPST	208-12	208-12ST	208-12LPST