

isc N-Channel MOSFET Transistor

SPW21N50C3

ISPW21N50C3

• FEATURES

- Static drain-source on-resistance:
 $R_{ds(on)} \leq 190m\Omega$
- Enhancement mode:
- 100% avalanche tested
- Minimum Lot-to-Lot variations for robust device performance and reliable operation

• DESCRIPTION

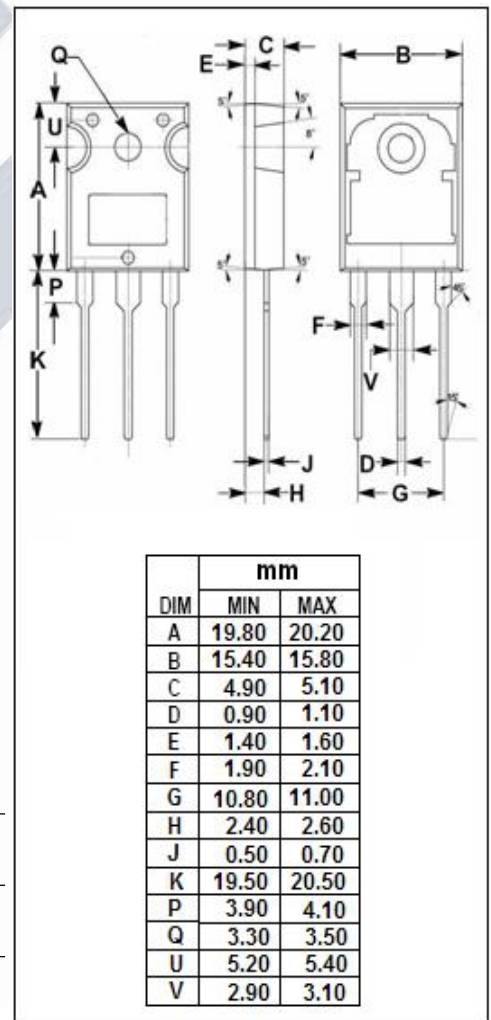
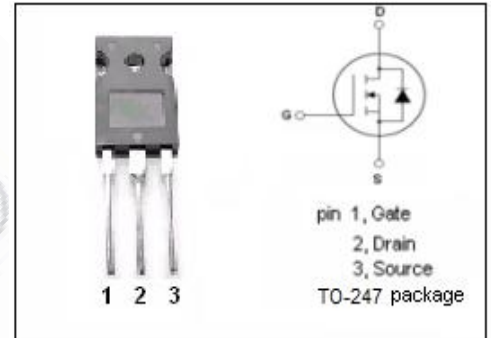
- Improved Transconductance

• ABSOLUTE MAXIMUM RATINGS(T_a=25°C)

SYMBOL	PARAMETER	VALUE	UNIT
V _{DSS}	Drain-Source Voltage	500	V
V _{GS}	Gate-Source Voltage	±20	V
I _D	Drain Current-Continuous	21	A
I _{DM}	Drain Current-Single Pulsed	63	A
P _D	Total Dissipation @T _c =25°C	208	W
T _j	Max. Operating Junction Temperature	150	°C
T _{stg}	Storage Temperature	-55~150	°C

• THERMAL CHARACTERISTICS

SYMBOL	PARAMETER	MAX	UNIT
R _{th(j-c)}	Channel-to-case thermal resistance	0.6	°C/W
R _{th(j-a)}	Channel-to-ambient thermal resistance	62	°C/W



isc N-Channel MOSFET Transistor
SPW21N50C3
ISPW21N50C3
ELECTRICAL CHARACTERISTICS

 T_c=25°C unless otherwise specified

SYMBOL	PARAMETER	CONDITIONS	MIN	TYP	MAX	UNIT
BV _{DSS}	Drain-Source Breakdown Voltage	V _{GS} =0V; I _D =0.25mA	500			V
V _{GS(th)}	Gate Threshold Voltage	V _{DS} =V _{GS} ; I _D =1000 μ A	2.1		3.9	V
R _{DS(on)}	Drain-Source On-Resistance	V _{GS} =10V; I _D =13.1A			190	mΩ
I _{GSS}	Gate-Source Leakage Current	V _{GS} = 20V; V _{DS} = 0V			0.1	μ A
I _{DSS}	Drain-Source Leakage Current	V _{DS} =500V; V _{GS} = 0V			1	μ A
V _{SD}	Diode forward voltage	I _F =I _S , V _{GS} = 0V			1.2	V