

**PLEASE CHECK WWW.MOLEX.COM FOR LATEST PART INFORMATION**

**Part Number:** [0357607110](#)  
**Status:** **Active**  
**Description:** Wire Splice, 16-20 AWG, Post-Tin Plating

**Documents:**

[Packaging Specification \(PDF\)](#)      [Product Specification PS-35760-003 \(PDF\)](#)  
[Drawing \(PDF\)](#)      [RoHS Certificate of Compliance \(PDF\)](#)

**General**

Product Family	Splices
Series	<a href="#">35760</a>
Crimp Quality Equipment	Yes
Mil-Spec	N/A
Product Name	N/A

**Physical**

Barrel Type	Open
Insulation	None
Material - Metal	Brass
Packaging Type	Reel
Temperature Range - Operating	-30°C to +105°C
Wire Insulation Diameter	3.5mm (.138")
Wire Size AWG	16, 18, 20
Wire Size mm <sup>2</sup>	0.50 - 1.50

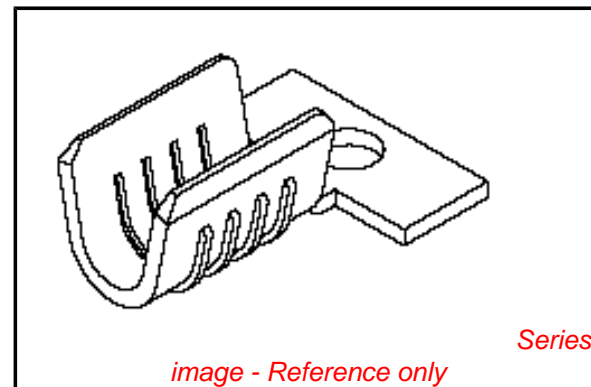
**Electrical**

Voltage - Maximum	200V AC (RMS)/DC
-------------------	------------------

**Material Info**

**Reference - Drawing Numbers**

Product Specification	PS-35760-003
Sales Drawing	SD-35760-002



**EU RoHS**

**ELV and RoHS  
Compliant**  
**REACH SVHC  
Contains SVHC: No**  
**Halogen-Free  
Status**

**China RoHS**



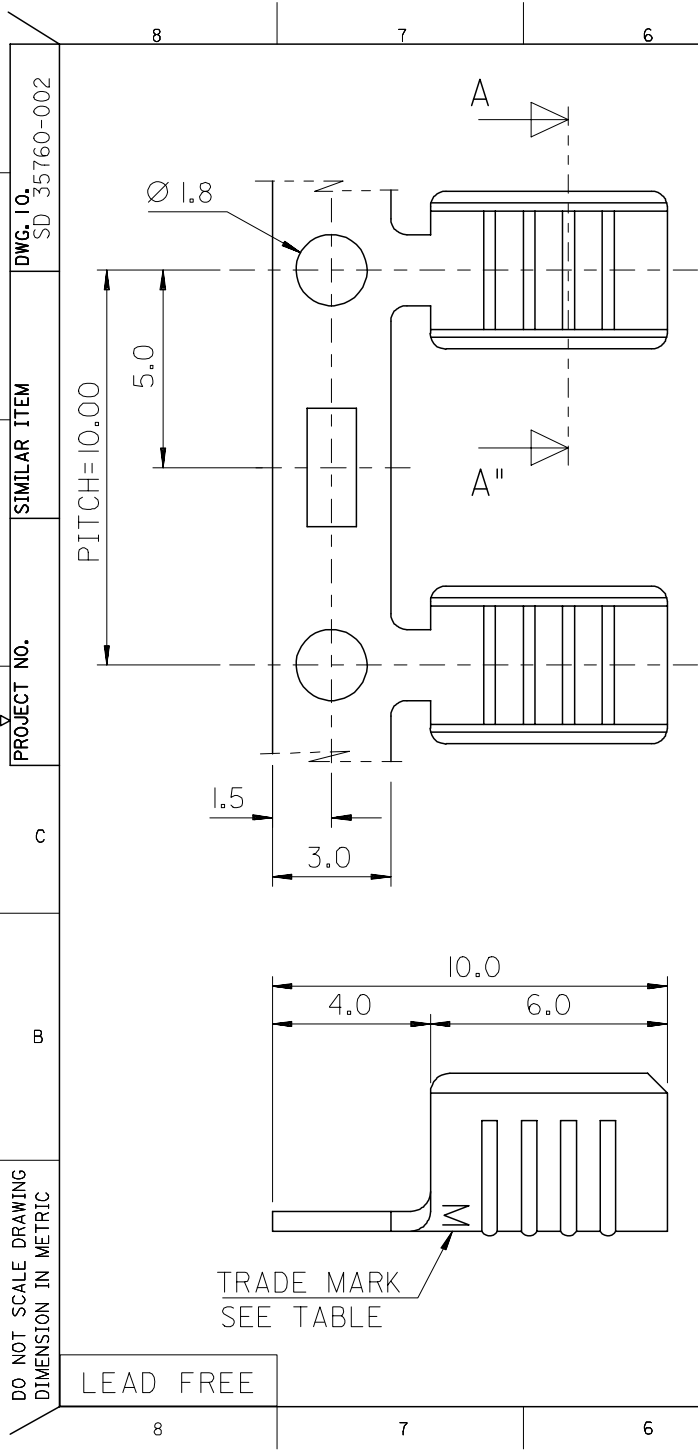
**Need more information on product  
environmental compliance?**

Email [productcompliance@molex.com](mailto:productcompliance@molex.com)  
For a multiple part number RoHS Certificate of  
Compliance, [click here](#)

Please visit the [Contact Us](#) section for any  
non-product compliance questions.

**Search Parts in this Series**  
35760Series

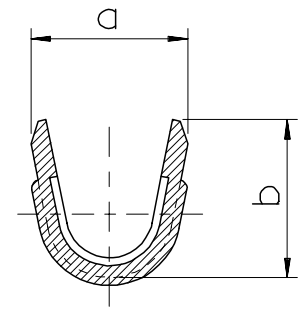
**PLEASE CHECK WWW.MOLEX.COM FOR LATEST PART INFORMATION**



NOTES

- 1. MATERIAL : BRASS , 0.5mm THICKNESS
- 2. PART NO.

PART NO.	a	b	FINISH	△B	△B
				WIRE RANGE	QUANTITY
35760-7100	3.3	3.3	UNPLATED	0.5~1.5mm <sup>2</sup>	6,000/REEL
35760-7110			POST PLATED TIN		
35760-7140			TIN-LEAD		
LEAD FREE 35760-7160	4.2	4.2	POST PLATED TIN	1.5~2.5mm <sup>2</sup>	5,000/REEL
35760-7200			UNPLATED		
35760-7210			POST PLATED TIN		
35760-7240			TIN-LEAD		
LEAD FREE 35760-7260			POST PLATED TIN		



ADDITION OF OPTION EC NO. KOR2006-0064 DRWN: SY.PARK 05/12/16 CHK: BC.YOON 05/12/16 APPR: SH.CHOI 05/12/16	QUALITY SYMBOLS MAJOR = 0 CRITICAL = 0	GENERAL TOLERANCES: (UNLESS SPECIFIED)		SCALE 8:1	DESIGN UNITS <input checked="" type="checkbox"/> mm <input type="checkbox"/> INCH	THIRD ANGLE PROJECTION <input checked="" type="checkbox"/> mm <input type="checkbox"/> INCH	SHIT	REV
		4 PLACES	±0.	±.	DRAWN BY & DATE J.S.KANG 93/10/07	TITLE: WIRE SPLICE (S),(SM)		
		3 PLACES	±0.	±.	CHECKED BY & DATE B.K.CHOI 93/10/07	MOLEX INCORPORATED KOREA		
		2 PLACES	±0.20	±.	APPROVED BY & DATE C.W.LEE 93/10/07	CAD FILENAME S7607100.DGN	MATERIAL NO. SEE TABLE	DRAWING NO. SD-35760-002
		1 PLACE	±0.30	±.	THIS DRAWING CONTAINS INFORMATION THAT IS PROPRIETARY TO MOLEX INCORPORATED AND SHOULD NOT BE USED WITHOUT WRITTEN PERMISSION.			SIZE B
		ANGULAR: ± °						
		DRAFT WHERE APPLICABLE MUST REMAIN WITHIN DIMENSIONS						

DO NOT SCALE DRAWING  
DIMENSION IN METRIC

LEAD FREE

TRADE MARK  
SEE TABLE

SEC' : A-A"