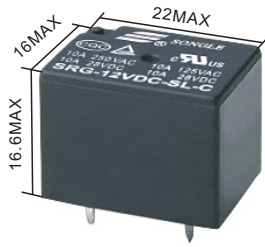


SRG Series SUBMINATURE HIGH POWER RELAY 7A/10A/15A



CQC08002027667



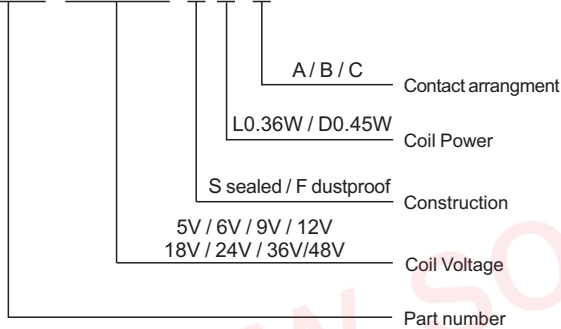
Features

- Miniature volume, PCB usage
- Contact rating: 7A/10A/15A
- Temperature range: +85°C/+105°C



Ordering Information

SRG-12VDC-S L-C



Contact Rating

| | |
|---|--|
| Contact arrangement | A / B / C |
| Contact resistance | 100mΩ (1A 6VDC) |
| Contact material | Silver alloy: AgCdO, AgSnO ₂ , AgNi |
| Contact rating | 7A/250VAC 10A/250VAC 15A/250VAC |
| Max switching voltage | 250VAC |
| Max switching current | 15A |
| Max switching power | 3750VA |
| Electrical endurance (frequency: 1800 ops/h) | 1x10 ⁵ ops / 1x10 ⁴ ops |
| Mechanical endurance (frequency: 18000 ops/h) | 1x10 ⁷ ops |

Characteristics

| | | |
|---|---------------------------|---------------------|
| Insulation system | B / F | |
| Insulation resistance | 100MΩ (500VDC) | |
| Dielectric Strength | Between contacts and coil | 1500VAC 1 minute |
| | Between open contacts | 1000VAC 1 minute |
| Leakage current 1mA | | |
| Operate time(Under nominal voltage) | ≤10ms | |
| Release time(Under nominal voltage) | ≤10ms | |
| Humidity | 45% ~85% RH (20°C) | |
| Ambient Temperature | -40°C~+85°C/-40°C~+105°C | |
| Shock resistance | Functional | 98m/s ² |
| | Destructive | 980m/s ² |
| Vibration resistance (Double amplitude) | 10Hz~55Hz 1.5mm | |
| Weight | Approx 11g | |
| Construction | Sealed | |

Remark:1)All above data is initial value

Coil Data

(at 20°C)

| Power dissipation W | Voltage VDC | Current mA | Resistance Ω ± 10% | Pick-up voltage | Drop-out voltage | Max allowable |
|---------------------|-------------|------------|--------------------|-----------------|------------------|---------------|
| 0.36W (L) | 05 | 71.4 | 70 | 75%Max | 10%Min | 130% |
| | 06 | 60 | 100 | | | |
| | 09 | 40 | 225 | | | |
| | 12 | 30 | 400 | | | |
| | 18 | 20 | 900 | | | |
| | 24 | 15 | 1600 | | | |
| | 36 | 10 | 3600 | | | |
| | 48 | 7.5 | 6400 | | | |
| 0.45W (D) | 05 | 89.3 | 55 | 75%Max | 10%Min | 130% |
| | 06 | 75 | 80 | | | |
| | 09 | 50 | 180 | | | |
| | 12 | 37.5 | 320 | | | |
| | 18 | 25 | 720 | | | |
| | 24 | 18.7 | 1280 | | | |
| | 36 | 12.5 | 2880 | | | |
| | 48 | 10 | 4500 | | | |

This product specification only for your reference, we will not notify you if we do any improvement. We reserve all the right for the final explanation





Web: www.songle.com www.songlerelay.com


Add.: CW7, Zone A, Far East Industrial Park, Yuyao City, Zhejiang, China Zip Code: 315400

SRG Series SUBMINATURE HIGH POWER RELAY 7A/10A/15A

Safety Approval Ratings

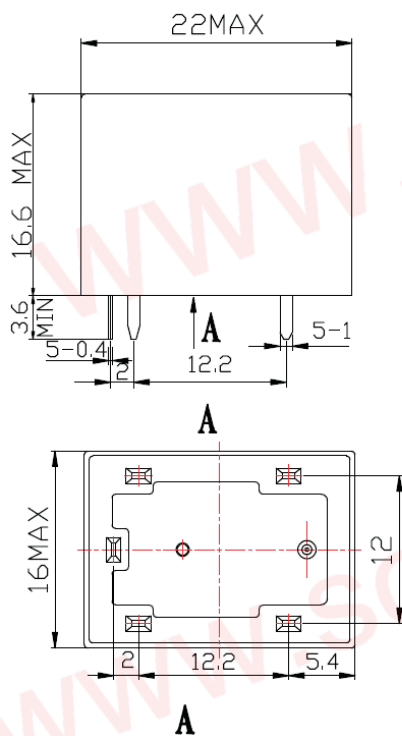
| |
|--|
|  CQC08002027667 |
| 7A 250VAC 10A 250VAC |

| |
|--|
|  R50056114 R50137084 |
| 7A 250VAC 10A 250VAC 15A 250VAC NO |

| |
|--|
|  US E167996 |
| TV-5 120VAC 10A 240VAC 12A 120VAC |

OUTLINE DIMENSIONS ,WIRING DIAGRAM AND PC BOARD LAYOUT Unit:mm

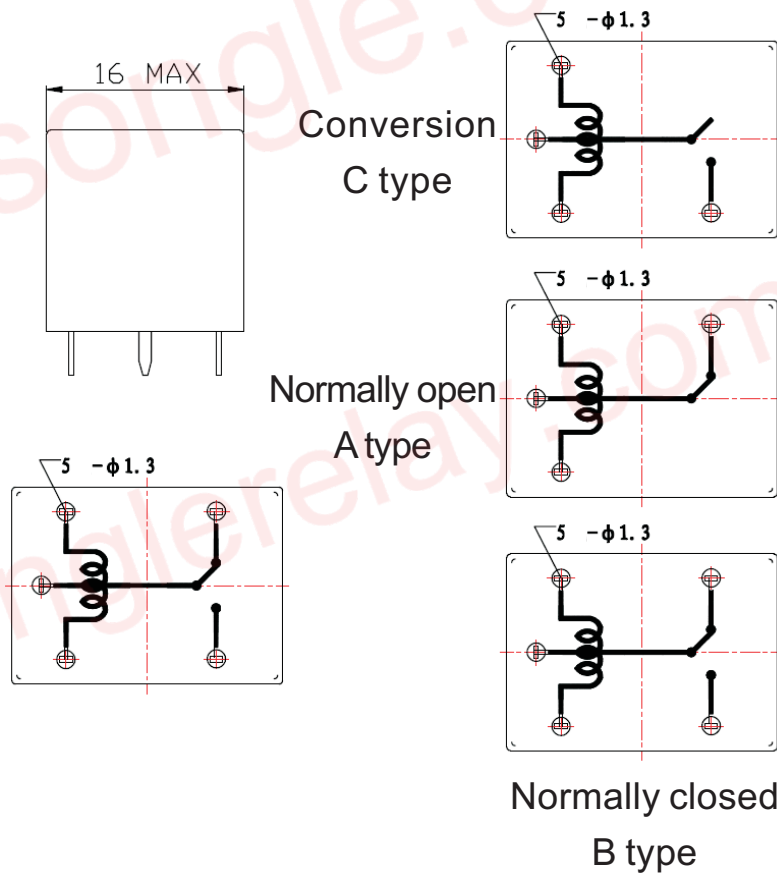
Physical installation diagram



(Bottom view)

Tolerance: ± 0.1 mm

PCB board diagram
(bottom view diagram)



This product specification only for your reference. we will not notify you if we do any improvement. We reserve all the right for the final explanation



Web: www.songle.com www.songlerelay.com

Add.: CW7, Zone A, Far East Industrial Park, Yuyao City, Zhejiang, China Zip Code: 315400