

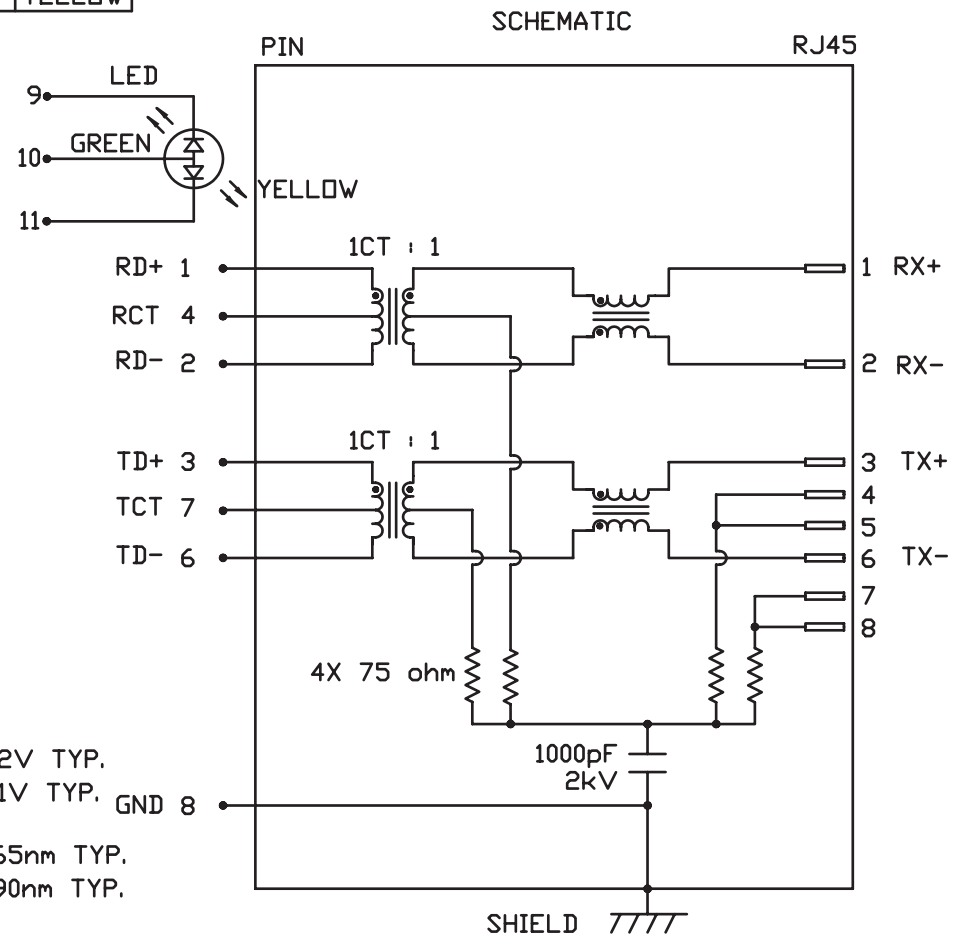
# INTEGRATED CONNECTOR MODULES

## 0810-2H8R-28 10/100Base-TX MagJack® 2 x 8 with LEDs

LED POLARITY			
PIN 9	PIN 10	PIN 11	COLOR
-	+	/	GREEN
/	+	-	YELLOW

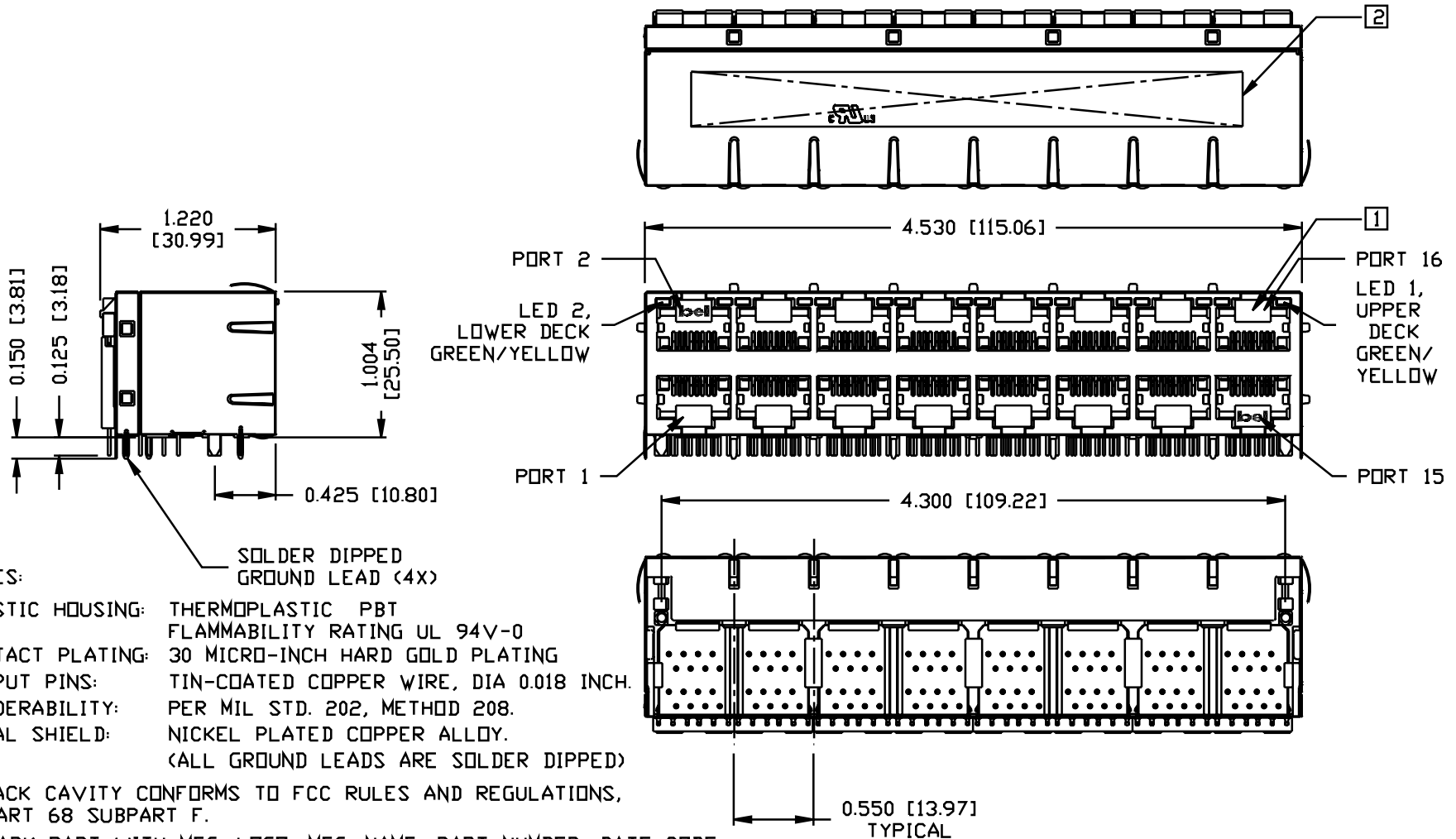
### ELECTRICAL CHARACTERISTICS @ 25°C

RETURN LOSS (MIN.)			
1MHz-30MHz		-18 dB	
60MHz-80MHz		-12 dB	
INSERTION LOSS			
100KHz TO 100MHz		-1.1 dB	
DCL @ 0.1V, 100KHz			
8mA DC BIAS		350µH MIN.	
TURNS RATIO		1CT : 1CT ±3%	
XTALK			
100KHz TO 100MHz		-35 dB MIN.	
LED			
V <sub>F</sub> (FORWARD VOLTAGE)	IF=20mA	YELLOW GREEN	2.2V TYP.
		YELLOW	2.1V TYP.
λ <sub>D</sub> (DOMINANT WAVELENGTH)	IF=20mA	YELLOW GREEN	565nm TYP.
		YELLOW	590nm TYP.
HIPOT (Isolation Voltage)		1500 V <sub>rms</sub>	



# INTEGRATED CONNECTOR MODULES

## 0810-2H8R-28 10/100Base-TX MagJack® 2 x 8 with LEDs



**NOTES:**

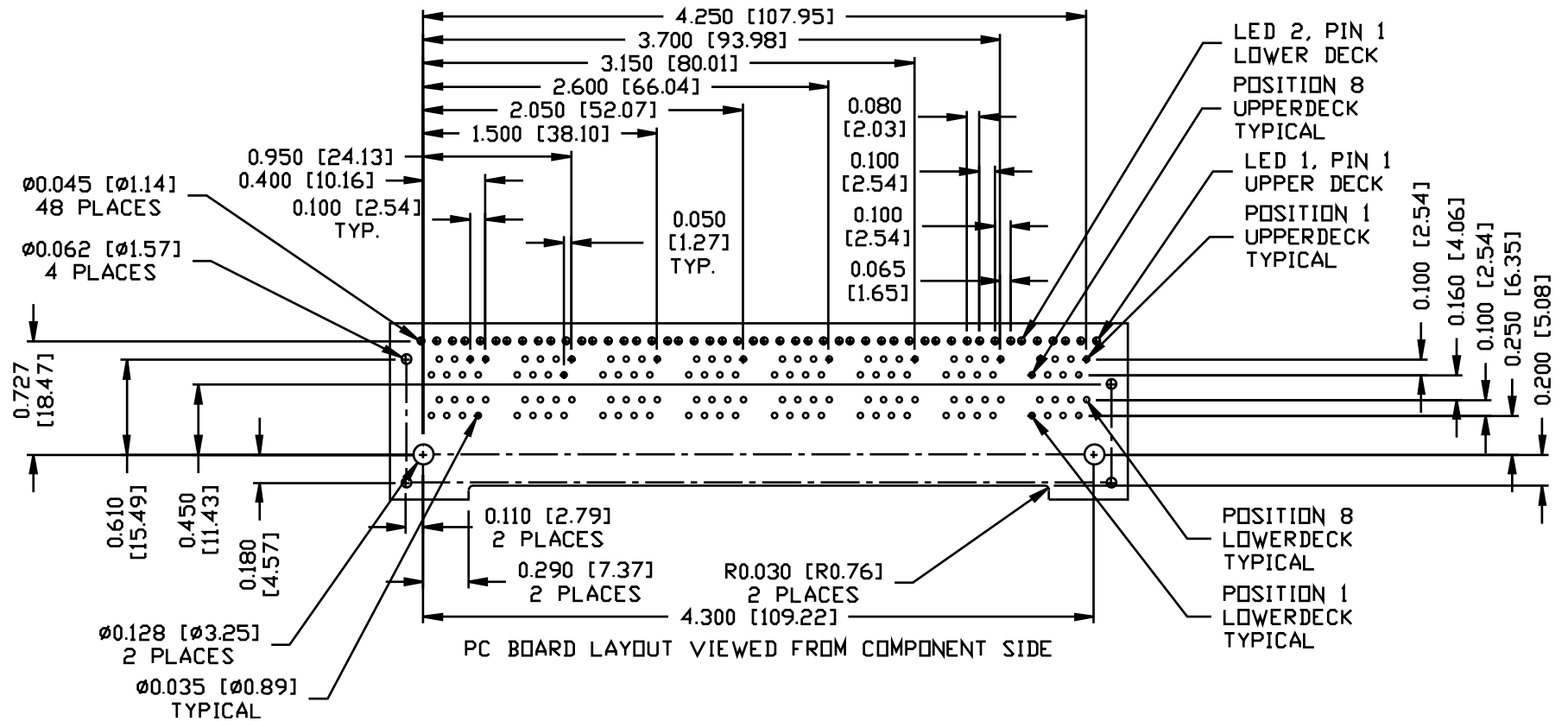
- PLASTIC HOUSING: THERMOPLASTIC PBT  
FLAMMABILITY RATING UL 94V-0
- CONTACT PLATING: 30 MICRO-INCH HARD GOLD PLATING
- OUTPUT PINS: TIN-COATED COPPER WIRE, DIA 0.018 INCH.
- SOLDERABILITY: PER MIL STD. 202, METHOD 208.
- METAL SHIELD: NICKEL PLATED COPPER ALLOY.  
(ALL GROUND LEADS ARE SOLDER DIPPED)

- 1. JACK CAVITY CONFORMS TO FCC RULES AND REGULATIONS, PART 68 SUBPART F.
- 2. MARK PART WITH MFG. LOGO; MFG. NAME; PART NUMBER; DATE CODE.

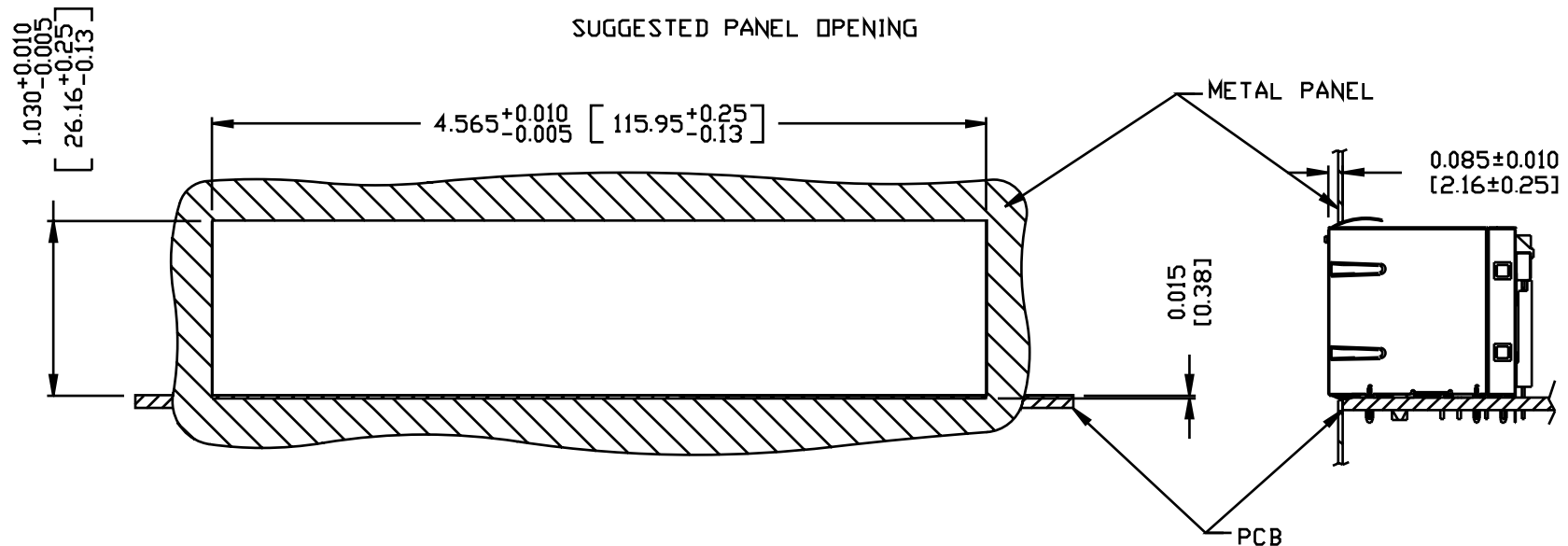
UL RECOGNIZED - FILE #E196366 AND E169987.

# INTEGRATED CONNECTOR MODULES

## 0810-2H8R-28 10/100Base-TX MagJack® 2 x 8 with LEDs



**INTEGRATED CONNECTOR MODULES**  
**0810-2H8R-28 10/100Base-TX MagJack® 2 x 8 with LEDs**



**NOTES:**

THE DISTANCE OF PANEL INSIDE SURFACE RELATIVE TO FRONT SURFACE OF PART IS ONLY A SUGGESTION. IN CASE THIS DISTANCE IS DIFFERENT, THE REQUIRED PANEL OPENING DIMENSIONS CHANGE ACCORDINGLY.

**PACKING INFORMATION**

PACKING TRAY : 0200-9999-B2 (TOP)  
 0200-9999-B3 (BOTTOM)

PACKING QUANTITY : 10 PCS FINISHED GOODS PER TRAY  
 7 TRAY (70 PCS FINISHED GOODS) PER CARTON BOX

NOTE : CARDBOARDS ARE PLACED BETWEEN LAYERS OF PACKING TRAY INSIDE CARTON BOX  
 (INCLUDE THE UPPERMOST AND LOWERMOST TRAY)