

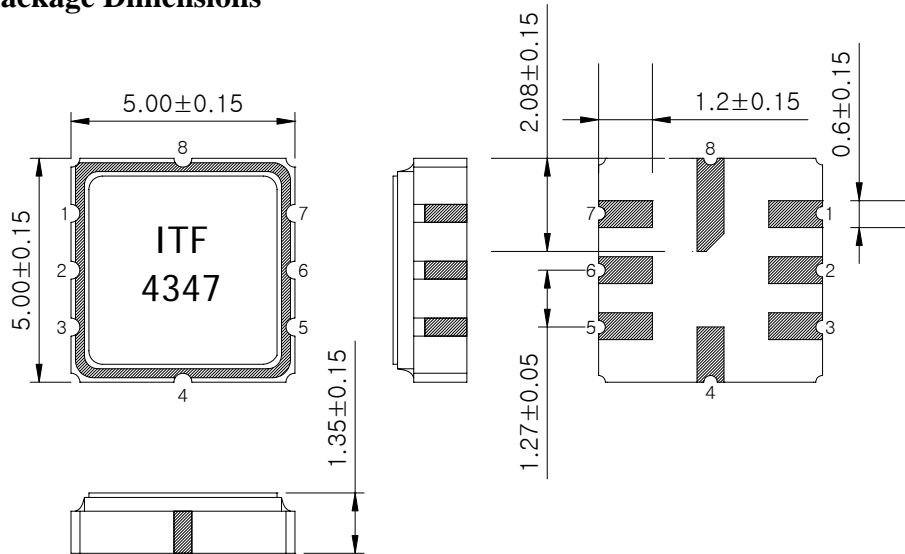
SAW Bandpass Filter 433.92MHz



Features

- RF bandpass filter
- Single-ended operation
- Ceramic Surface Mounted Device Package (5.0 mm × 5.0 mm)

Package Dimensions



Dimensions shown are nominal in millimeters

Body : Al_2O_3 Ceramic

Lid : Kovar, Ni Plated


Terminations : Au plating 0.3 ~ 1.0 μm , Over a 1.27 ~ 8.89 μm
Ni Plating

| Pin Configurations | |
|--------------------|--------|
| 2 | Input |
| 6 | Output |
| 1, 3, 4, 5, 7, 8 | Ground |

Maximum Ratings

| Parameters | Unit | Minimum | Typical | Maximum |
|-----------------------------|-------------|---------|---------|---------|
| Operating Temperature Range | $^{\circ}C$ | -30 | 25 | 85 |
| Storage Temperature Range | $^{\circ}C$ | -40 | - | 85 |
| Power Handling Capability | dBm | - | - | 10 |

Electrostatics Sensitive Device (ESD)

| | | | | |
|---|---|-----------|-------------|-----|
|  | ITF Co., Ltd. 102-901, Bucheon Technopark 364, Samjeong-Dong, Ojeong-Gu, Bucheon-City, Gyeonggi-Do, Korea 421-809 | Part No. | F4347 | |
| | | Rev. Date | 2005-11-08 | |
| | | Rev. | NS5009-PS01 | 1/6 |

SAW Bandpass Filter 433.92MHz




Preliminary Specifications

| | Minimum | Typical | Maximum | Unit |
|---|----------|----------|---------|---------------------|
| Center Frequency (Fc) | - | 433.92 | - | MHz |
| Insertion Loss | - | 3.0 | 5.5 | dB |
| 3dB Bandwidth | - | 0.6 | | MHz |
| Attenuation Fc -10.7MHz Fc -21.4MHz | 15 40 | 30 50 | - - | dB |
| Frequency Temperature Coefficient | | 0.032 | | Ppm/°C ² |
| Temperature Range (Operational) | -30 | 25 | 85 | °C |
| Input/Output Impedance | | 50 | | Ohms |

Notes :

- 1) All specifications are based on the matching schematic shown below, measured by Agilent Network analyzer and full 2 port calibration.
- 2) Electrical margin has been built into the design to account for the variations due to temperature drift and manufacturing tolerances

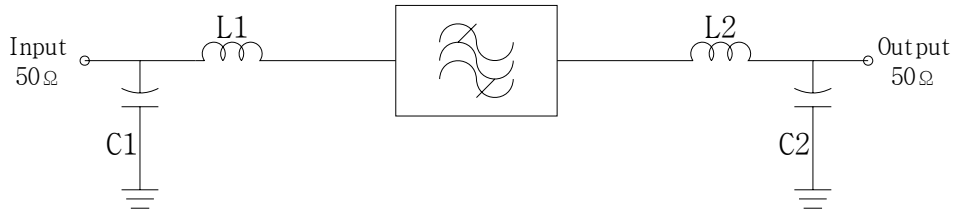
| | | | | |
|---|---|-----------|-------------|-----|
|  Integrated Technology Future | ITF Co., Ltd. 102-901, Bucheon Technopark 364, Samjeong-Dong, Ojeong-Gu, Bucheon-City, Gyeonggi-Do, Korea 421-809 | Part No. | F4347 | |
| | | Rev. Date | 2005-11-08 | |
| | | Rev. | NS5009-PS01 | 2/6 |

SAW Bandpass Filter 433.92MHz



Matching Schematic

(Actual matching values may vary due to PCB layout and parasitics)



C1 , C2 = 10 pF L1, L2 = 43nH

Marking Configuration

ITF¹⁾
4347²⁾

1) Manufacturer name

2) Marking Number

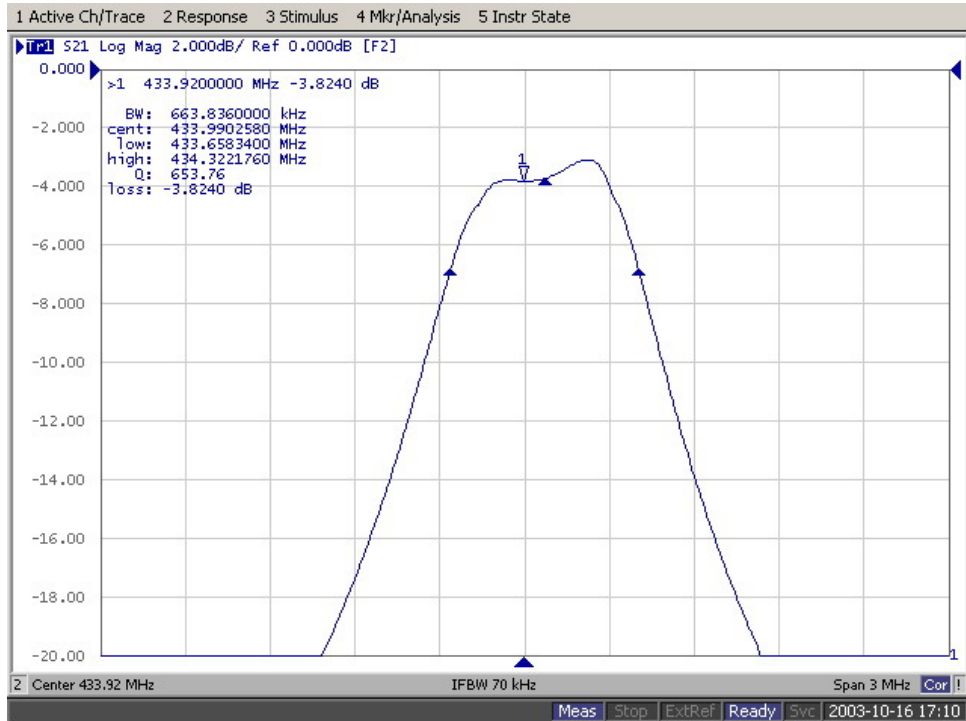
* Ink or Laser Marking available

| | | | | |
|--|---|-----------|-------------|-----|
| | ITF Co., Ltd. 102-901, Bucheon Technopark 364, Samjeong-Dong, Ojeong-Gu, Bucheon-City, Gyeonggi-Do, Korea 421-809 | Part No. | F4347 | |
| | | Rev. Date | 2005-11-08 | |
| | | Rev. | NS5009-PS01 | 3/6 |

SAW Bandpass Filter 433.92MHz



Typical Performance (at 25°C)



ITF Co., Ltd.
 102-901, Bucheon Technopark 364,
 Samjeong-Dong, Ojeong-Gu, Bucheon-City,
 Gyeonggi-Do, Korea 421-809

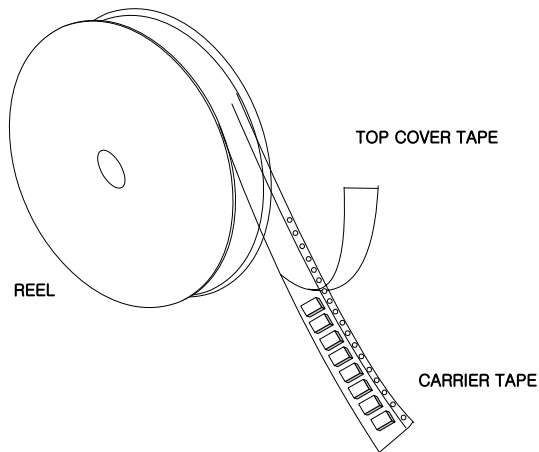
| | | |
|-----------|-------------|-----|
| Part No. | F4347 | |
| Rev. Date | 2005-11-08 | |
| Rev. | NS5009-PS01 | 4/6 |

SAW Bandpass Filter 433.92MHz



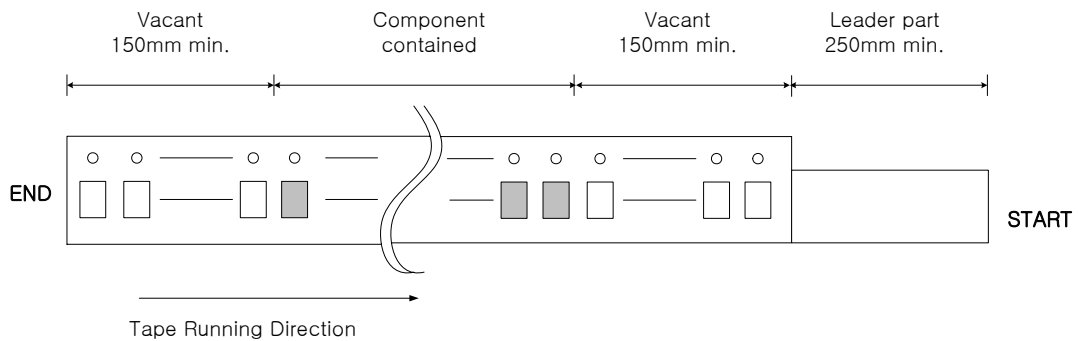
Packing Specification

1. Reeling Quantity : 1000 pcs / reel
2. Taping Structure : The tape shall be wound around the reel in the direction shown below.



Tape Specification

1. Leader part and vacant position specification

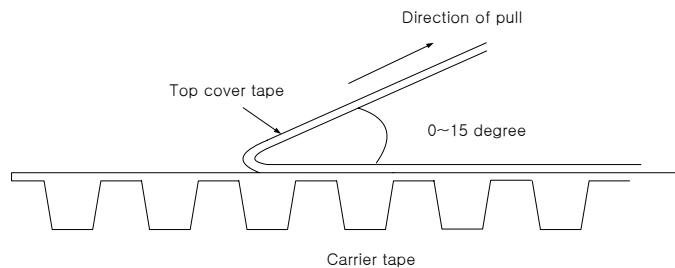


2. Tensile strength of carrier tape

4.4N/mm width

3. Top cover tape adhesion

- 1) pull off angle : 0~15°
- 2) speed : 300mm/min
- 3) force : 20~70g

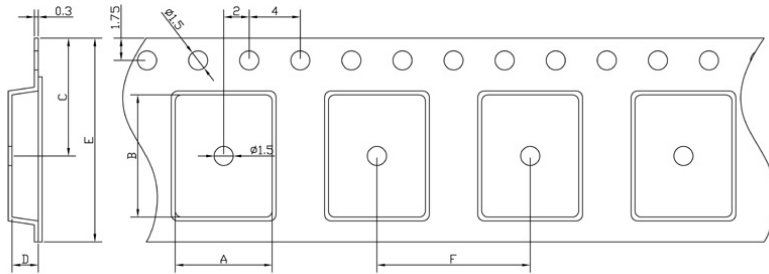


| | | | | |
|--|---|-----------|-------------|-----|
| | ITF Co., Ltd. 102-901, Bucheon Technopark 364, Samjeong-Dong, Ojeong-Gu, Bucheon-City, Gyeonggi-Do, Korea 421-809 | Part No. | F4347 | |
| | | Rev. Date | 2005-11-08 | |
| | | Rev. | NS5009-PS01 | 5/6 |

SAW Bandpass Filter 433.92MHz

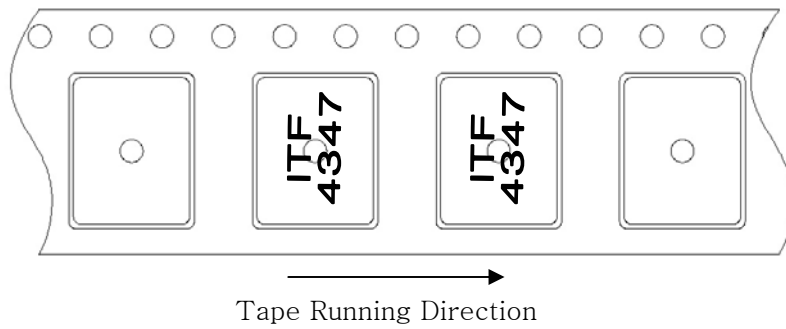


Carrier Tape Dimensions [unit : mm]

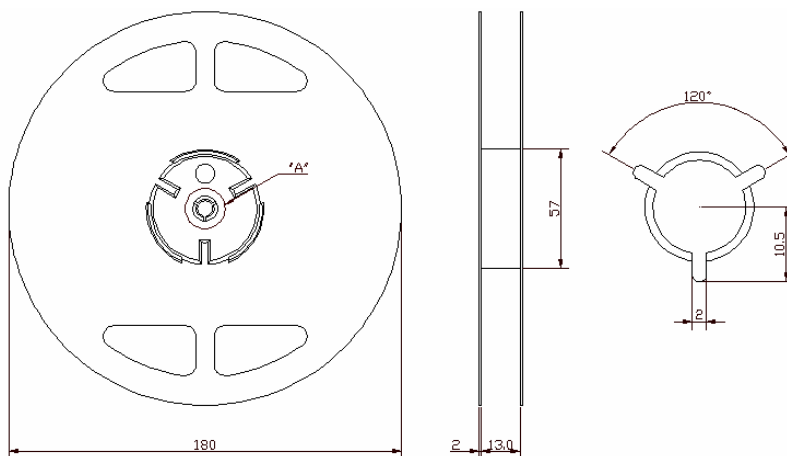


| | |
|---|-------------|
| A | 5.50 ± 0.1 |
| B | 5.50 ± 0.1 |
| C | 7.25 ± 0.1 |
| D | 1.95 ± 0.1 |
| E | 12.00 ± 0.1 |
| F | 8.00 ± 0.1 |

Part Direction



Reel Dimensions [unit : mm]



| | | | | |
|--|---|-----------|-------------|-----|
| | ITF Co., Ltd. 102-901, Bucheon Technopark 364, Samjeong-Dong, Ojeong-Gu, Bucheon-City, Gyeonggi-Do, Korea 421-809 | Part No. | F4347 | |
| | | Rev. Date | 2005-11-08 | |
| | | Rev. | NS5009-PS01 | 6/6 |