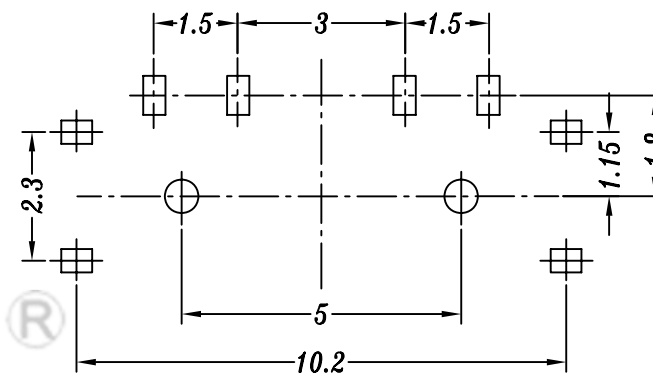
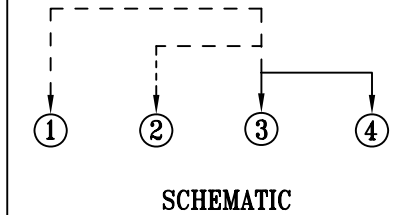


1.5 TRAVEL
1.3
1.5 TRAVEL *e

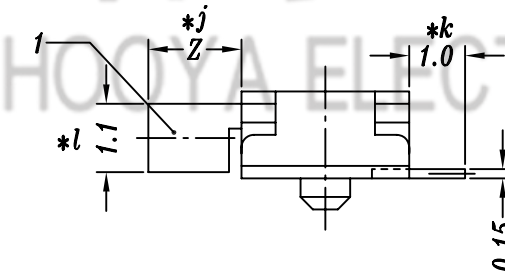
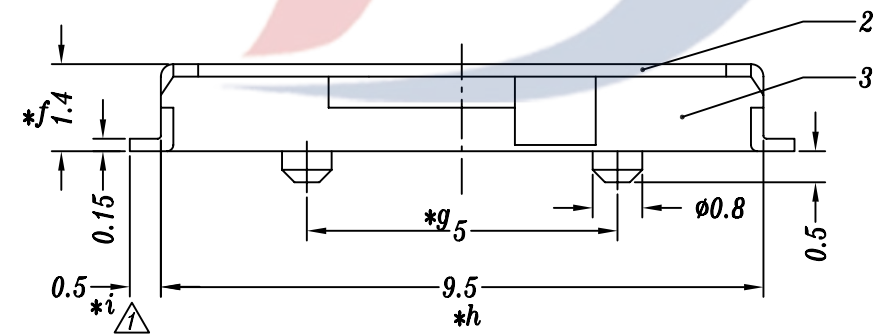


P.C.B LAYOUT



SPECIFICATION

1. Rating: DC 12V 0.3A
2. Travel: 1.5 mm
3. Function: 1P3T
4. Contact Resistance: $\leq 70\text{m}\Omega\text{MAX}$
5. Operating Force: $200\pm 80\text{gf}$
6. Life test: 10,000 cycles



G1.5: 柄长1.5mm
B: 胶柄黑色

| KNOB Z |
|--------|
| 1.5 ✓ |
| 2.0 |
| 2.0 |

| | | | | TOLERANCE UNLESS SPECIFIED | | | | | | | | |
|-----|----------------------|---------------------|-----|----------------------------|---------------------------------------------|----|------------|-------------|----------------|-------|----------|---------|
| | | | | UP TO 5mm: ± 0.1 | ANGULAR $\pm 1^\circ$ | A1 | 2018.09.13 | ▲ 新增0.5尺寸管控 | | GYW | | |
| | | | | ABOVE 5mm: ± 0.2 | | A0 | 2017.06.16 | 首次发行 | | GYW | | |
| | | | | | | NO | DATE | REVISIONS | | BY | APPD | |
| 5 | MK13C01 SPRING PLATE | 0.15mm SUS | 1 | NATURAL | TITLE:MINI SLIDE SWITCH | | | UNIT : MM | ROHS COMPLIANT | DWN | | |
| 4 | MK12C02 CONTACT | BE-CU | 1 | Ag PLATED | MODEL:MK-13C01G1.5-B | | | SCALE: 8:1 | | CHK'D | | |
| 3 | MK13C01 CASE | PA6T/6# BRASS STRIP | 1 | BLACK/Ag PLATED | HAOYU(HONGKONG)LIMITED 皓宇(香港)有限公司 | | | | | | APPD | |
| 2 | MK13C01 COVER | 0.15mm SUS | 1 | Ag PLATED | | | | | | | PRO.AGL: | REV :A1 |
| 1 | MK13C01 KNOB | PA6T/PA46 | 1 | BLUE/BLACK | | | | | | | | |
| NO. | PART NAME | MATERIAL | QTY | FINISHING | | | | | | | | |