

PRODUCT NUMBER
76745-XXX-XXLF

WHEN REQUIRED, ADD SUFFIX LETTER "LF"
INDICATES THE PRODUCT IS ROHS
COMPATIBLE; SEE NOTE 6
TOTAL NB OF POS (04 TO 72 POS)
OPTION LETTER, SEE NOTE 6

PLATING
PIN STYLE

- 1 = 0.76µm GOLD/GXT,
OVER 1.27µm Ni MIN
- 8 = 0.38µm GOLD/GXT
OVER 1.27µm Ni MIN
- 3 = 3.81µm TIN/LEAD
OVER 1.27µm Ni MIN

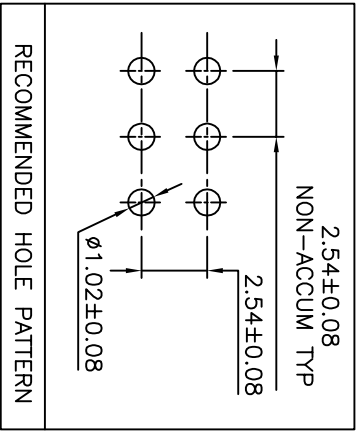
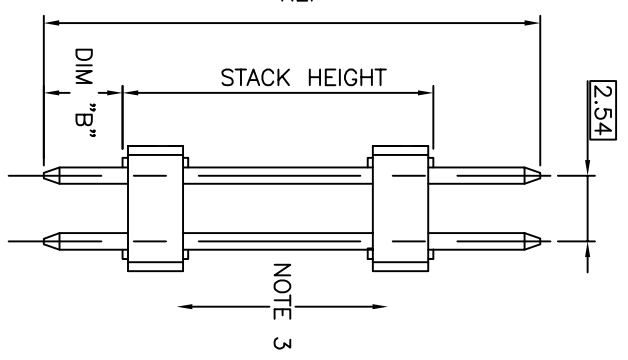
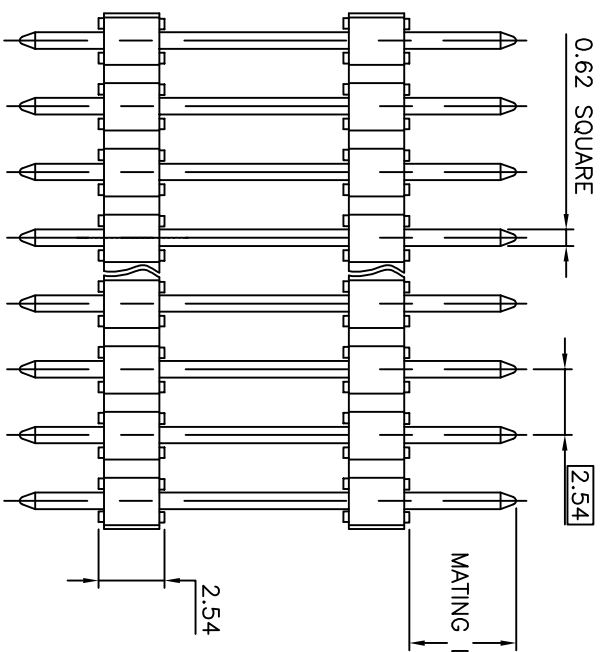
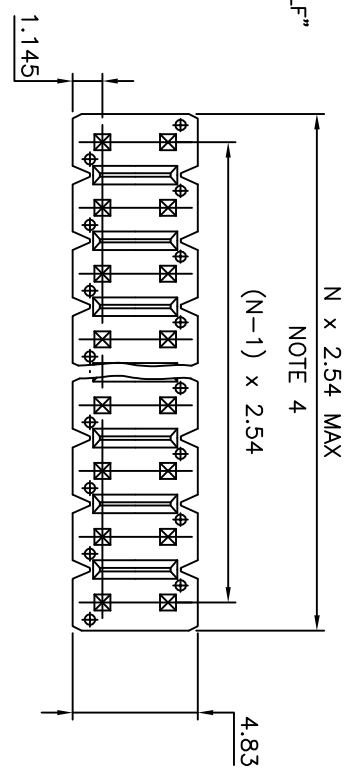
- WHEN "LF" IS REQUIRED, 2µm MATTE
TIN OVER 1.27µm MIN NICKEL IS
PROVIDED INSTEAD OF TIN-LEAD

NOTES:

1. HOUSING MAT'L : HIGH TEMPERATURE
THERMOPLASTIC. UL94V-0 COLOR: BLACK.
2. PIN MATERIAL : PHOSPHOR BRONZE.
3. 12N MIN RETENTION IN EITHER DIRECTION.
4. TO DETERMINE DIMENSIONS :
N = NUMBER OF POSITIONS PER ROW
EXAMPLE : 8 POS PER ROW, N x 2.54 = 20.32mm
5. FOR STANDARD SELECTIVE GOLD PLATED PRODUCTS
SEE DRAWINGS 54111 & 54121.
6. OPTION LETTER :
- = STANDARD POLYBAGS PACKAGING
V = POLYBAGS PACKAGING FOR VALVO
7. ROHS COMPATIBLE PRODUCT SPECIFICATIONS

7. ROHS COMPATIBLE PRODUCT SPECIFICATIONS

- a - PLATING:
- "LF" MEANS THE PRODUCT IS LEAD-FREE,
2µm MINIMUM MATTE TIN OVER 1.27µm
MINIMUM NICKEL UNDERPLATE.
- b - MANUFACTURING PROCESS COMPATIBILITY
- THE HOUSING WILL WITHSTAND EXPOSURE TO
260°C ±5°C SOLDER BATH TEMPERATURE FOR
WITH A 1.6mm MIN THICK CIRCUIT BOARD.
- c - LABELING:
- MEETS PACKAGING SPECS AS PER GS-14-920
- d - LEGAL STATEMENT: SEE GS-47-0004



| | | | | | | | | | |
|----------------|----------|----------------|----------|---------------------------------------|--------|--------------|----------|----------------|-----------|
| mat'l. code | | surface | | tolerance | | projection | | product family | |
| SEE NOTES | | ISO 1302 | | ISO 406 ISO 1101 | | mm | | BSTIK | |
| ltr | ecm no | dr | date | tolerances unless otherwise specified | angles | linear | xxx ±0.3 | xxx ±0.13 | scale 5:1 |
| EX | F11-0045 | LMU | 11.04.05 | | | | | | |
| EY | F12-0023 | LMU | 12.06.06 | | | | | | |
| FA | F12-0090 | JFA | 12.12.07 | | | | | | |
| dr | | NZZI P | | engr | | COMPAIGNON J | | 94.05.05 | |
| EV | | F10-0221 | | LMU | | 10.09.08 | | thr | |
| EW | | F10-0258 | | LMU | | 10.12.19 | | appd JMC | |
| sheet | | revision | | FA | | BX | | E | |
| index | | sheet | | 1 | | 2 | | 3 | |
| title | | product family | | type | | sheet 1 of 3 | | size | |
| HEADER STR, DR | | CUSTOMER | | 76745 | | A3 | | Drawing | |
| DOUBLE BODY | | | | | | | | | |

1 2 3 4 5 6

| APPLICATION SPECIFIC | | | | |
|----------------------|-----------------------|-----------------------|--------------|----------------|
| PIN STYLE | MATING LENGTH ±0.2 | STACK HEIGHT ±0.25 | "B" ±0.25 | ("OAL") REF |
| 01 | 8.71 | 19.76 | 2.65 | 31.12 |
| 02 | 6.87 | 16.5 | 3.05 | 26.42 |
| 03 | 6.87 | 13.0 | 3.63 | 23.5 |
| 04 | 5.6 | 6.5 | 2.88 | 14.98 |
| 05 | 5.51 | 8.0 | 3.05 | 16.56 |
| 06 | 6.61 | 11.3 | 3.05 | 20.96 |
| 07 | 5.58 | 10.3 | 2.54 | 18.42 |
| 08 | 5.81 | 7.7 | 3.05 | 16.56 |
| 09 | 5.72 | 5.08 | 2.54 | 13.34 |
| 10 | 6.9 | 10.45 | 2.71 | 20.06 |
| 11 | 11.2 | 9.5 | 2.8 | 23.5 |
| 13 | 9.07 | 6.3 | 3.05 | 18.42 |
| 14 | 5.33 | 21.5 | 2.48 | 29.31 |
| 17 | 7.5 | 23.45 | 3.05 | 34.0 |
| 19 | 9.5 | 10.45 | 3.55 | 23.5 |
| 21 | 11.96 | 18.5 | 3.2 | 33.66 |
| 23 | 9.0 | 25.9 | 3.05 | 37.95 |
| 24 | 8.87 | 14.5 | 3.05 | 26.42 |
| 25 | 9.84 | 11.43 | 9.85 | 31.12 |
| 28 | 6.6 | 8.25 | 2.8 | 17.65 |
| 29 | 9.1 | 15.7 | 3.2 | 28.0 |
| 36 | 10.55 | 7.5 | 10.53 | 28.58 |
| 40 | 7.0 | 6.5 | 3.06 | 16.56 |
| 55 | 13.0 | 20.0 | 3.2 | 36.2 |
| 57 | 11.78 | 5.08 | 3.23 | 20.06 |
| 58 | 23.0 | 8.5 | 5.5 | 36.97 |
| 59 | 9.0 | 18.2 | 9.0 | 36.2 |
| 62 | 9.2 | 9.3 | 3.5 | 22.0 |
| 68 | 6.75 | 8.0 | 2.9 | 17.65 |
| 71 | 6.8 | 5.2 | 2.69 | 14.69 |
| 79 | 9.95 | 39.0 | 3.05 | 52.0 |
| 80 | 5.68 | 7.0 | 2.3 | 15.0 |
| 88 | 10.8 | 8.0 | 3.7 | 22.5 |
| AN | 10.0 | 29.0 | 3.0 | 42.0 |
| BD | 11.7 | 13.5 | 3.21 | 28.41 |
| BW | 11.5 | 11.5 | 3.04 | 26.04 |
| BT | 8.5 | 35.0 | 8.5 | 52.0 |
| CB | 9.0 | 30.0 | 3.0 | 42.0 |
| CD | 9.24 | 12.0 | 9.24 | 30.48 |
| CF | 8.25 | 16.0 | 8.25 | 32.5 |

| APPLICATION SPECIFIC | | | | |
|----------------------|-----------------------|-----------------------|--------------|----------------|
| PIN STYLE | MATING LENGTH ±0.2 | STACK HEIGHT ±0.25 | "B" ±0.25 | ("OAL") REF |
| CG | 6.0 | 40.0 | 6.0 | 52.0 |
| CH | 11.02 | 12.0 | 3.02 | 26.04 |
| CN | 7.08 | 5.60 | 7.08 | 19.77 |
| CP | 9.50 | 7.00 | 2.41 | 18.91 |
| CT | 11.0 | 6.0 | 11.0 | 28.0 |
| CU | 9.75 | 13.0 | 9.75 | 32.5 |
| CV | 9.44 | 13.00 | 3.60 | 26.04 |
| CW | 5.00 | 36.00 | 5.00 | 46.00 |
| CX | 10.00 | 26.00 | 6.00 | 42.00 |
| CY | 10.9 | 18.20 | 10.9 | 40.00 |
| CZ | 5.5 | 23.00 | 5.50 | 34.00 |
| DA | 13.00 | 14.50 | 6.50 | 34.00 |
| DB | 12.75 | 8.50 | 12.75 | 34.00 |
| DC | | SEE SHEET 3 | | |
| DE | 6.00 | 34.00 | 6.00 | 46.00 |
| DF | 9.12 | 7.80 | 9.12 | 26.04 |
| DG | 3.50 | 43.00 | 3.50 | 50.00 |
| DH | 6.50 | 8.00 | 6.50 | 21.00 |
| DJ | 5.80 | 17.75 | 5.80 | 29.31 |
| DK | 5.40 | 9.00 | 2.90 | 17.30 |
| DL | 9.00 | 8.50 | 6.00 | 23.50 |
| DM | 7.40 | 23.70 | 3.30 | 34.40 |
| DN | 7.40 | 12.10 | 3.30 | 22.80 |
| DP | 8.00 | 16.80 | 5.40 | 30.20 |
| DR | 6.40 | 15.00 | 6.40 | 27.80 |
| DS | 7.00 | 29.00 | 7.00 | 43.00 |
| DT | 9.80 | 27.40 | 9.80 | 47.00 |
| DU | 9.50 | 36.50 | 9.50 | 55.50 |
| DV | 9.30 | 6.30 | 5.80 | 22.00 |
| DW | 5.30 | 40.40 | 3.30 | 49.00 |

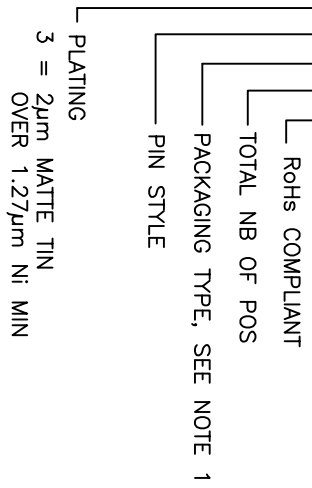
| APPLICATION SPECIFIC | | | | |
|----------------------|-----------------------|-----------------------|--------------|----------------|
| PIN STYLE | MATING LENGTH ±0.2 | STACK HEIGHT ±0.25 | "B" ±0.25 | ("OAL") REF |
| DX | 6.50 | 12.50 | 6.50 | 25.50 |
| DY | 6.50 | 9.50 | 6.50 | 22.50 |
| EA | 6.65 | 32.30 | 3.05 | 42.00 |
| EB | 2.66 | 15.00 | 5.84 | 23.50 |
| EC | 10.00 | 39.60 | 2.40 | 52.00 |
| ED | 5.40 | 57.20 | 2.40 | 65.00 |
| EF | 5.84 | 46.50 | 3.05 | 55.40 |
| EG | 5.60 | 20.00 | 5.64 | 31.24 |

Form A3 1 2 3 4 5 6

| | | | | |
|-------------------------|---------------------------------------|------------------|------------|----------------|
| mat'l. code | surface | tolerance | projection | product family |
| ltr ecn no dr date | ISO 1302 | ISO 406 ISO 1101 | | BSTIK |
| BT F08-0236LMU 09.11.13 | tolerances unless otherwise specified | | mm | title |
| BU F10-0221LMU 10.08.30 | angles | linear | ← | HEADER STR, DR |
| BV F10-0259LMU 10.12.19 | | | → | DOUBLE BODY |
| BW F11-0049LMU 11.04.04 | COMPAGNON J | 94.05.05 | scale | sheet no |
| BX F12-0090JFA 12.12.07 | lengr JMC | 95.08.28 | | 76745 |
| BS F07-0180LMU 07.04.24 | lengr JMC | 95.08.28 | | sheet 2 of 3 |
| sheet revision | | | | A3 |
| index sheet | | | | Drawing |
| | | | | CUSTOMER |
| | | | | |

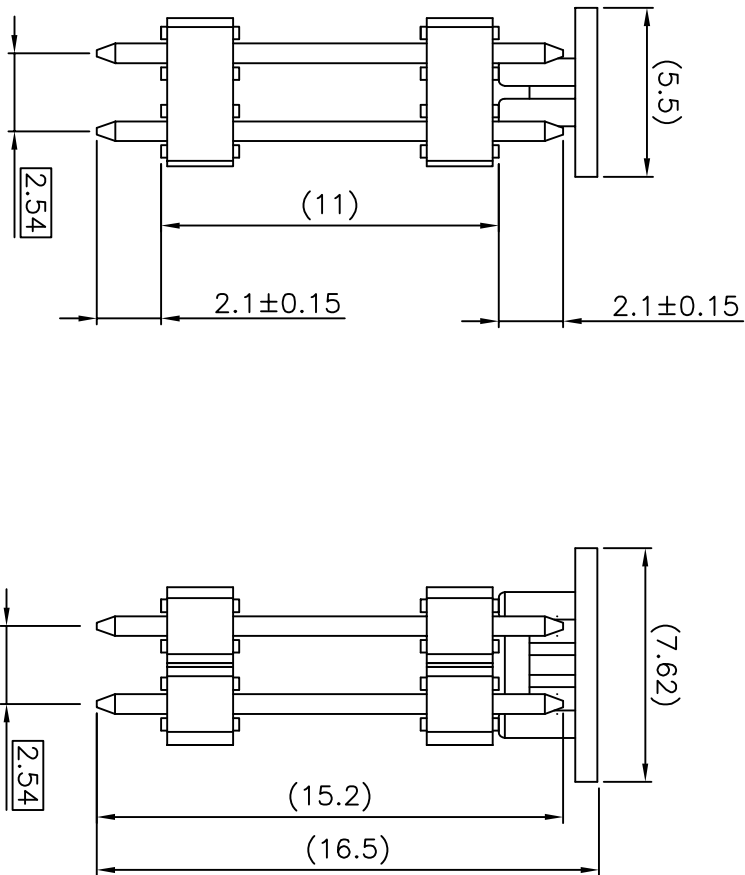
SPECIFIC PRODUCT NUMBER

76745-3DCA04LF



NOTES :

1. PACKAGING : A = TAPE & REEL PACKAGING WITH PICK UP CAP INSTALLED SEE TA 840
2. PRODUCT COMPATIBLE WITH REFLOW PROCESS. 255°C PEAK TEMPERATURE 10-40 SECONDES IN A CONVECTION, INFRA-RED OR VAPOR PHASE



| | | | | | | | | | |
|-------------|----------|----------------|----------|---------------------------------------|--|------------|--|-------------------|--|
| mat'l. code | | surface | | tolerance | | projection | | product family | |
| ISO 1302 | | ISO 406 | | ISO 1001 | | mm | | BSTIK | |
| ltr | ecn no | dr | date | tolerances unless otherwise specified | | mm | | title | |
| A | F06-110 | LMU | 06.01.26 | | | | | HEADER STR, DR | |
| B | F06-0196 | LMU | 06.06.20 | | | | | DOUBLE BODY | |
| C | F07-0266 | LCO | 07.10.15 | | | | | sheet 3 of - size | |
| D | F12-0023 | LMU | 12.06.06 | | | | | A3 | |
| E | F12-0090 | JFA | 12.12.07 | engr U.COMPAGNON | | 06.01.31 | | Drawing | |
| sheet index | | revision sheet | | appd JMC | | 06.01.31 | | type CUSTOMER | |