

PPC-3150

15" Fanless Panel PC with Intel Atom Quad-Core Processor

NEW



Features

- 15" TFT XGA LCD with resistive touchscreen
- Embedded Intel Atom Quad-Core E3845 1.91G
- Fanless and Slim design
- Supports one internal 2.5" SATA HDD, one mSATA socket
- Built-in one PCI or one PCIe x1 expansion slot
- Wide operating temp. range from -20~60°C
- Wide range power input for 9~32V_{DC}
- One isolated RS-422/485 with Autoflow, Dual Intel GbE
- One optional GPIO (8 channels, TTL level)

Introduction

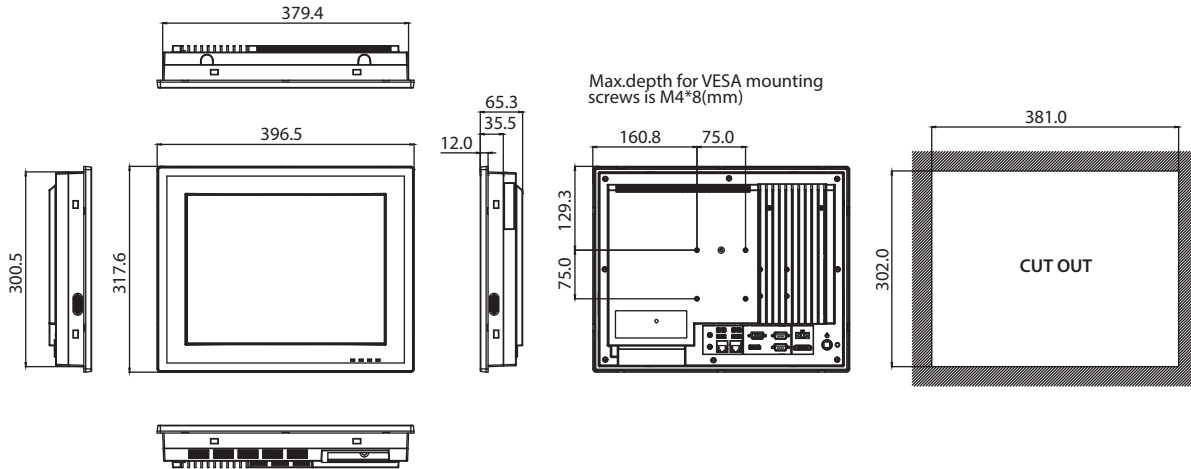
The PPC-3150 is a 15" fanless panel PC that doesn't only deliver high performance with an Intel quad-core Atom processor but also supports a wide operating temp. (-20~60°C) and wide range of power input (9~32V_{DC}). It consolidates performance and reliability in one system. With multiple I/Os such as 4 x COM, 1 x USB3.0, 1x isolated RS-422/485 and dual Intel Gigabit Ethernet make it easier to connect to devices and be integrated into machine building industry. The PCI/PCIe expansion is allowed to add on field bus or proprietary card makes more application possibility.

Specifications

| | | |
|---------------------------------|--|--|
| Processor system | CPU | Intel ATOM E3845 |
| | Frequency | 1.91GHz |
| | L3 Cache | 2M |
| | Chipset | Intel Bay-Trial I |
| | Memory | 1 x 204-pin SODIMM DDR3L support up to 8GB |
| | Storage 1 | 1 x 2.5" SATA bay |
| | Optional Storage & I/O | Either: <ul style="list-style-type: none"> ▪ 1 x Full size mSATA ▪ CFast card (optional module) ▪ CF card (optional module) ▪ Internal USB connector for USB dongle (optional module) ▪ 2 x DB9 for two RS-232 or one RS-232 and one GPIO (optional module) |
| Physical Characteristics | Network (LAN) | 2 x Gigabit Ethernet, (Intel I210) |
| | I/O Ports | <ul style="list-style-type: none"> ▪ 1 x isolated RS-422/485 (terminal block) ▪ 4 x RS-232, two external and two by internal pin header (need optional module) ▪ 1 x GPIO (8 channels, TTL level) by internal pin header (need optional module) ▪ 1 x USB3.0 + 3 x USB2.0 ▪ 2 x Gigabit Ethernet ▪ 1 x D-SUB VGA port ▪ 1 x DP1.1a ▪ 1 x Line-out, 1 x Mic-in, 2 x 1W speaker, |
| | Expansion slots | Either <ul style="list-style-type: none"> ▪ One PCI (standard) ▪ One PCIe x 1 (in the accessory box) |
| | Other Expansion | 1 x Full-size Mini PCIe |
| Dimensions | 396.5 x 317.6 x 65.3 (15.6" x 12.5" x 2.57") | |
| Weight | 5.3 Kg (11.68 lb) | |
| OS support | OS Support | WES7 32&64bit / Windows 7 32&64bit/ Windows 8 32&64bit |
| Power supply | Input Voltage | 9-32 V _{DC} |
| | Power Consumption | 30W (Burn-In test 7.0 in windows 7 32bits) |
| LCD Display | Display Type | 15" TFT LCD (LED Backlight) |
| | Max. Resolution | 1024 x 768 |
| | Colors | 16.7M |
| | Viewing Angle | 80 (left), 80 (right), 70 (up), 70 (down) |
| | Luminance(cd/m2) | 400 |
| | Contrast Ratio | 700 |
| | Backlight Lifetime | 50, 000 hrs(typ.) |

Dimensions

Unit: mm

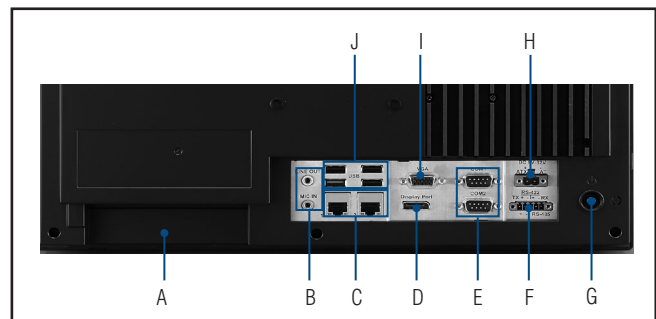


| | | |
|--------------------|--------------------------|--|
| Touchscreen | Touch Type | Analog Resistive 5-wire |
| | Resolution | 2048 x 2048 |
| | Light Transmission | 80% ± 3 % |
| | Controller | USB interface |
| | Software Driver Supports | Windows7 / Windows 8 |
| | Durability (Touches) | 36 million |
| Environment | Operating Temperature | 0 ~ 50°C (32 ~ 122°F) with 2.5" SATA HDD -20 ~ 60°C (-4 ~ 140°F) with -40 ~ 85°C mSATA or 2.5" SATA SSD |
| | Storage Temperature | -20 ~ 60°C (-4 ~ 140°F) |
| | Relative Humidity | 10 ~ 95% @ 40°C (non-condensing) |
| | Shock | Operating 10 G peak acceleration (11 ms duration), follow IEC 60068-2-27 |
| | Vibration | Operating Random Vibration Test 5-500Hz, 1Grms, follow IEC 60068-2-64 |
| | EMC | BSMI, CE, FCC Class A |
| | Safety | CB, CCC, BSMI, UL |
| | Front Panel Protection | IP65 compliant |

Ordering Information

| Part NO | Description |
|-----------------|---|
| PPC-3150-RE4AE | Intel Atom E3845 (1.91G) Panel PC with 15" XGA panel, 5-wire resistive T/S, w/o memory |
| PPC-WLAN-A1E | WiFi Module with Antenna Cable 28cm for PPC |
| PPC-174T-WL-MTE | Wall mount kit for PPC series |
| PPC-ARM-A03 | PPC ARM VESA Standard |
| PPC-3150-CFE | Module to install CF card for PPC-3150/PPC-3170 |
| PPC-3150-CFASTE | Module to install CFast card for PPC-3150/PPC-3170 |
| PPC-3150-COME | Module to install either two additional RS-232 port or one additional RS-232 and one GPIO for PPC-3150/PPC-3170 |
| PPC-3150-USBE | Module to install internal USB dongle for PPC-3150/PPC-3170 |
| PS-DC19-L157E | 19V DC power adapter module for fanless PPC series |
| 1700001524 | Power cord 3P UL 10A 125V 1.8M |
| 170203183C | Power cord 3P Europe (WS-010+083) 183cm |
| 1700008921 | Power cord 3P/3P 1.8M PSE |
| 2070013015 | Image WES7P 32-bit Multi V4.12 for PPC-3150/3170 |
| 2070013321 | Image WES7P 64-bit Multi V4.12 for PPC-3150/3170 |
| PPC-174 Stand | Stand for PPC Series (double acting hinges) |
| PPC-STAND-A1E | Stand For PPC Series (single acting hinge) |

I/O Appearance



- A. Expansion slot x 1 (PCI or PCIe x1)
- B. Line out/ Mic in
- C. Intel Gigabit Ethernet x 2
- D. DisplayPort x 1
- E. RS-232 x 2
- F. Isolated RS-422/485 x 1
- G. Power Button
- H. DC inlet and AT/ATX switch
- I. VGA x1
- J. USB3.0 x 1 + USB2.0 x 3