

規格承認書

PECIFICATION FOR APPROVAL

客戶
CUSTOMER : 立創
項目
ITEM : 方形喇叭
型號
TYPE : GSPK1609035TN-7R0.8W-L100
描述
DESCRIPTION : L16 *W 9*H3.5mm 1M 7R 0.8w 平板內磁 UL1571/30#L100mm
客戶料號
CUSTOMER NO. :
規格書號
SPECIFICATION NO. :
版本
EDITION NO. : V1.1
日期
DATE : 2020-7-30

客戶承認

CUSTOMER CONFIRM AND SIGN

| 檢查 TESTED BY | 審核 CHECKED BY | 承認 APPROVED BY |
|-----------------|------------------|-------------------|
| | | |

東莞市贏海電子有限公司

DONGUAN INGHAI ELECTRONICS CO.,LTD

| 製作 ISSUED BY | 審查 CHECKED BY | 確認 APPROVED BY |
|-----------------|------------------|-------------------|
| 刘菠 | 刘承成 | |

地址：东莞市长安镇新岗社区新岗路 41 号华茂大厦 15 楼
電話 / TEL: 0769-83060958 傳真 / FAX: 0769-81608993
網址: [HTTP://WWW.INGHAI.COM](http://www.inghai.com)

| | | | | |
|----------------------|------------------|------------------|----------------------------------|----------------------------|
| SPECIFICATION | | MODEL NO. | GSPK1609035TN-7R0.8W-L100 | Total Page 1 |
| ISSUED DATE | 2020-7-30 | SPEC. NO. | | |

1. SCOPE

THIS SPECIFICATION IS APPLIED TO THE DYNAMIC RECEIVER/SPEAKER WHICH IS USED IN CELLULAR PORTABLE PRODUCT.

2. GENERAL SPECIFICATIONS

| ANALYSIS ITEMS | SPECIFICATIONS |
|----------------------------------|---|
| 1. TYPE | Dynamic speaker |
| 2. OUT SIDE SIZE | 16.0 * 9.0 * 3.5 mm , Shown Fig.3 |
| 3. IMPEDANCE | 7 Ω ± 20% at 1 KHz 2.0Vms Sine Wave |
| 4. RESONANCE FREQUENCY | 800 ± 20% Hz at 1.0V Sine wave |
| 5. SENSITIVITY (S.P.L.) | 88dB ± 3dB at 0.5w/ 0.1m / 0.5.0.6.0.8.1.0 × 100Hz average |
| 6. RATED / MAX. POWER | 0.5W / 0.7W/ |
| 7. FREQUENCY RANGE | fo ~ 20kHz |
| 8. DISTORTION | Less than 10 % at 1000Hz 0.5 W |
| 9. UNIT WEIGHT | 3.0g ± 0.1g |
| 10. MEASURING DIAGRAM | Shown in Fig.1 |
| 11. FREQUENCY RESPONSE | Shown in Fig.2 |
| 12. OPERATING TEMPERATURE | - 30°C ~ +65°C |
| 13. STORAGE TEMPERATURE | - 40°C ~ +65°C |
| 14. OPERATION TEST | No one should perceive noise of sine wave 2.0V of 0.35kHz ~ 20kHz . |

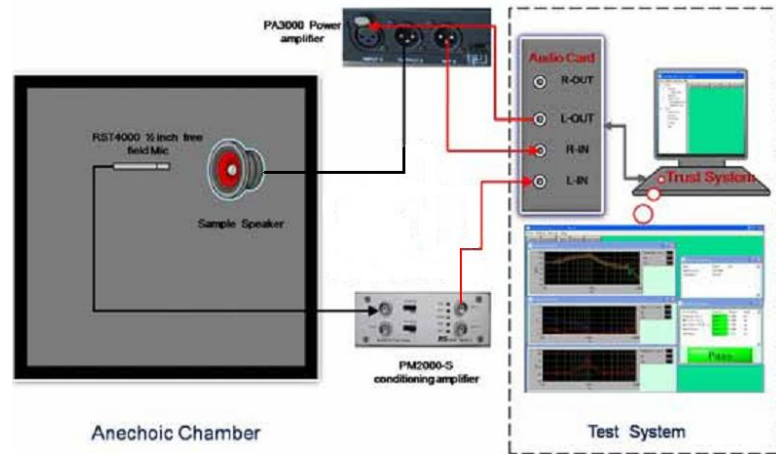
| NO. | DATE | DUE TO | REVISION | SIGNATURE |
|------------|-------------|---------------|-----------------|------------------|
| | | | | |

3. ENVIRONMENTAL CHARACTERISTICS

| | |
|--|---|
| RESULTS OF AFTER TEST | Sensitivity difference shall be within (3dB) and should satisfy the test described under item 14 after each following test. |
| 1. APPEARANCE | Should not exist any obstacle to be harmful to normal operation : damages \ cracks \ rusts and distortions etc. |
| 3. POLARITY | When positive voltage is applied to the terminal marked (+), diaphragm should move to the front. |
| 4. LOAD TEST | 0.5 W white noise is applied for 96 hours and satisfy the test listed on item 05,08,14. |
| 5. HIGH TEMPERATURE DURABILITY | After having been in a test chamber for 96 hours at the condition of $+65^{\circ}\text{C} \pm 5^{\circ}\text{C}$ and then let 2 hours in a room . |
| 6. COLD TEMPERATURE DURABILITY | After having been in a test chamber for 96 hours at the condition of $-40^{\circ}\text{C} \pm 5^{\circ}\text{C}$ and then let 2 hours in a room . |
| 7. HUMIDITY DURABILITY | After having been in a test chamber for 96 hours at the condition of $+40^{\circ}\text{C} \pm 5^{\circ}\text{C}$ 90%~96% RH and then let 2 hours in a room . |
| 8. TEMPERATURE CYCLE DURABILITY | Low temperature $-40^{\circ}\text{C} \pm 2^{\circ}\text{C}$ (2 hour) / high temperature $+65 \pm 2^{\circ}\text{C}$ (2 hour) : 1 cycle , total 10 cycles and then let 2 hours in a room . |
| 9. VIBRATION DURABILITY | Frequency Range:10Hz ~ 500Hz Amplitude : 0.35mm or acceleration : 50m/s^2 Duration : 2h per axis=10 cycles ; 3 axis |
| 10. DROP TEST | The speaker unit shall stand 10 random drops from a height of 1 meter to a concrete floor faced with 5m/m thick hard wood board and be nothing mechanical damage. |
| 11. PACKING STRENGTH | As per packing condition, from height of 1 meter, the unit is to be dropped 1 time each in three planes on concrete floor. |

| NO. | DATE | DUE TO | REVISION | SIGNATURE |
|------------|-------------|---------------|-----------------|------------------|
| | | | | |

4. STANDARD TEST CONDITION OF SPEAKER (Fig.1)



EAKER MODE) (Fig.2)

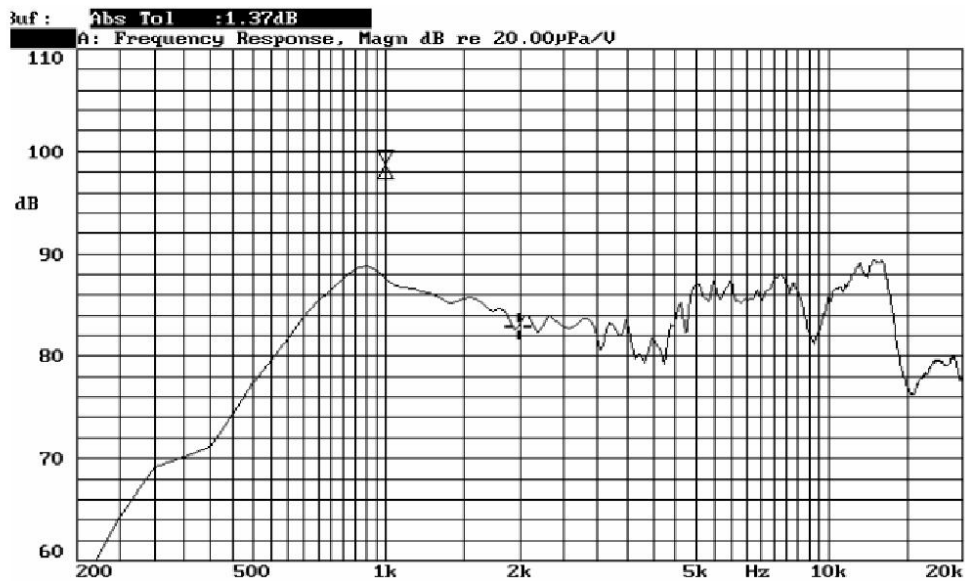
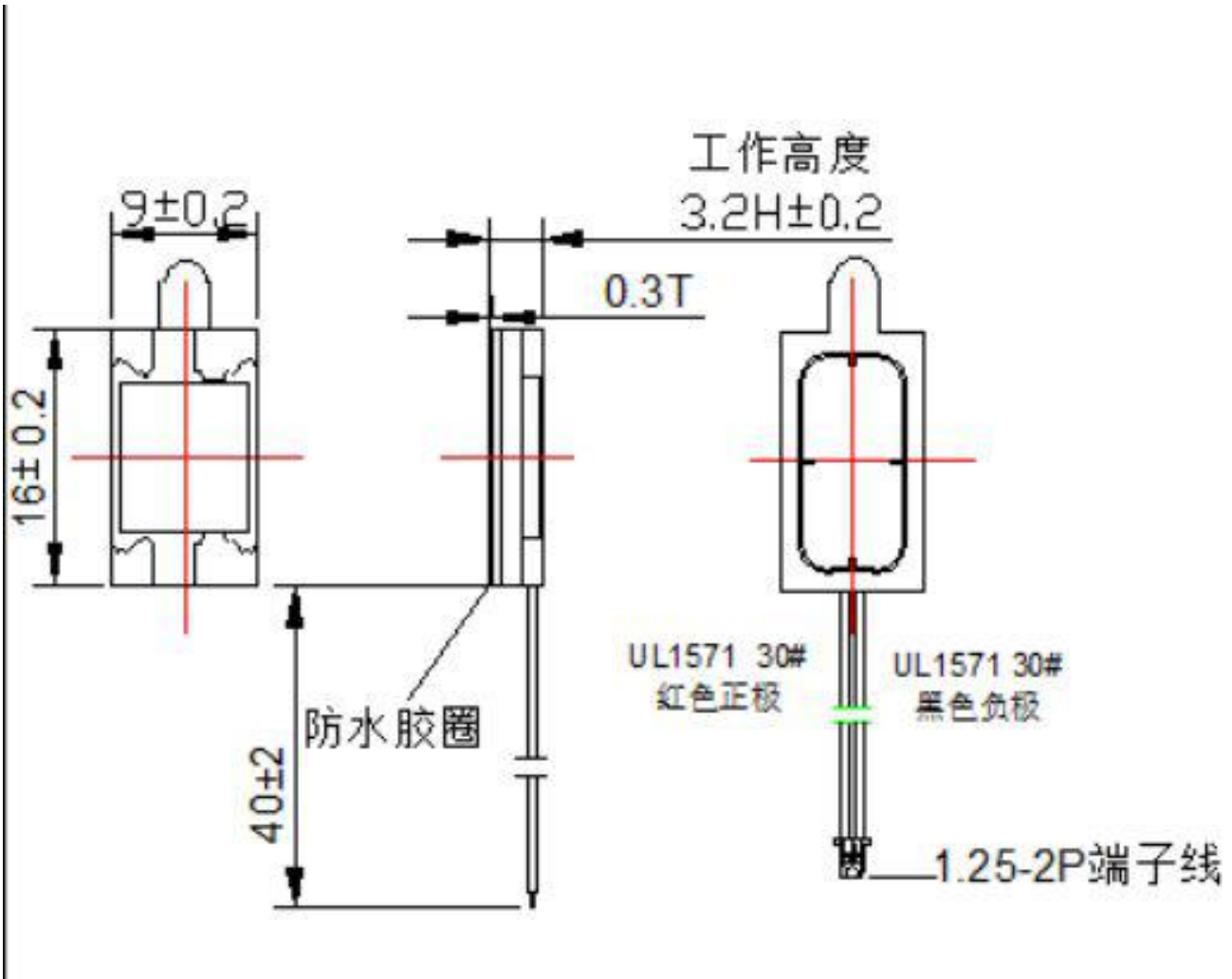


Fig 2. Typical frequency response curve and mask

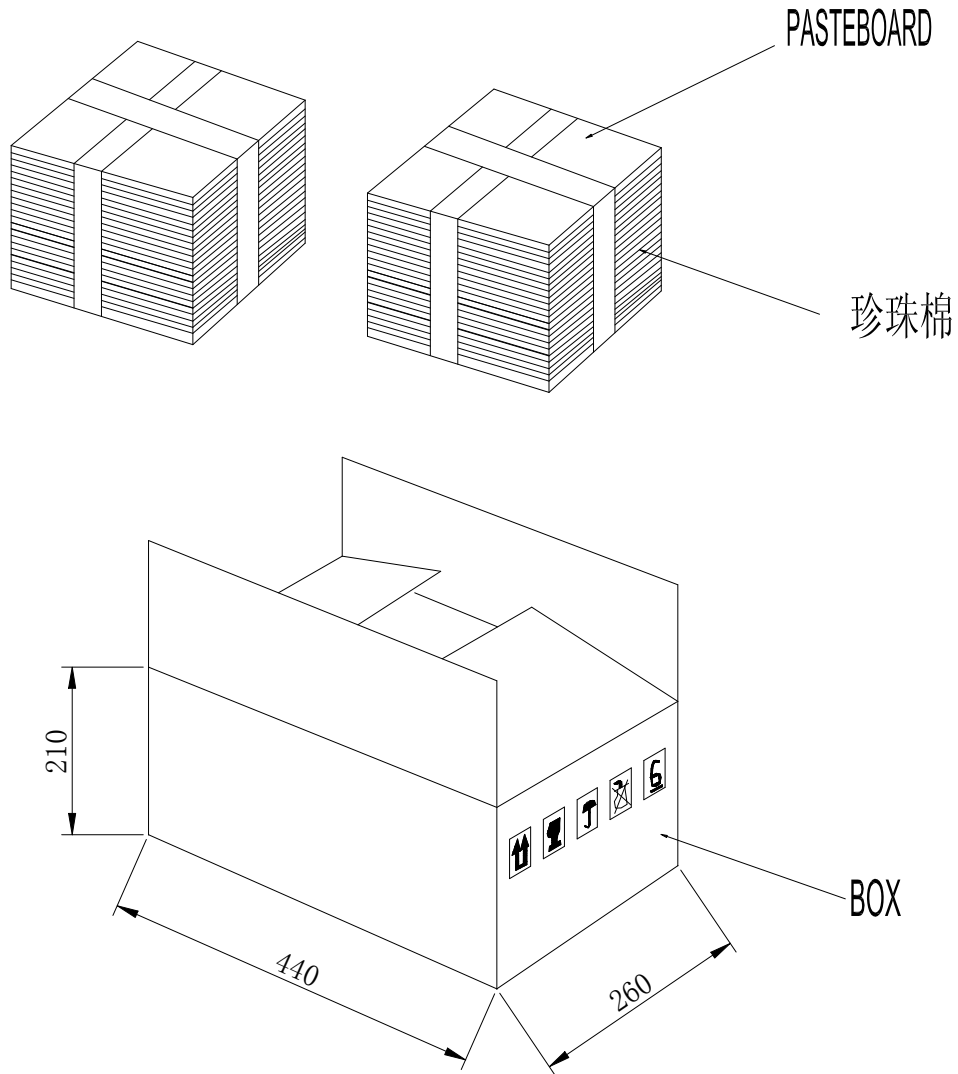
| NO. | DATE | DUE TO | REVISION | SIGNATURE |
|-----|------|--------|----------|-----------|
|-----|------|--------|----------|-----------|

4. ASSEMBLY DIMENSIONS (Fig.3)



| NO. | DATE | DUE TO | REVISION | SIGNATURE |
|-----|------|--------|----------|-----------|
| | | | | |

4.PACKING (Fig.4)



IIT:MM

NOTES:

1. 100 PCS PER TRAY PE PAN.
2. 2000 PCS PER CARTONS.
3. 2 CARTONS PER BOX.
4. 2000 PCS PER BOX.

| NO. | DATE | DUE TO | REVISION | SIGNATURE |
|-----|------|--------|----------|-----------|
|-----|------|--------|----------|-----------|