

LD5321A/B Series - 0.54 inch Dual Digit 14 Segment LED Display



ATTENTION
OBSERVE PRECAUTIONS
FOR HANDLING
ELECTROSTATIC
DISCHARGE
SENSITIVE
DEVICES



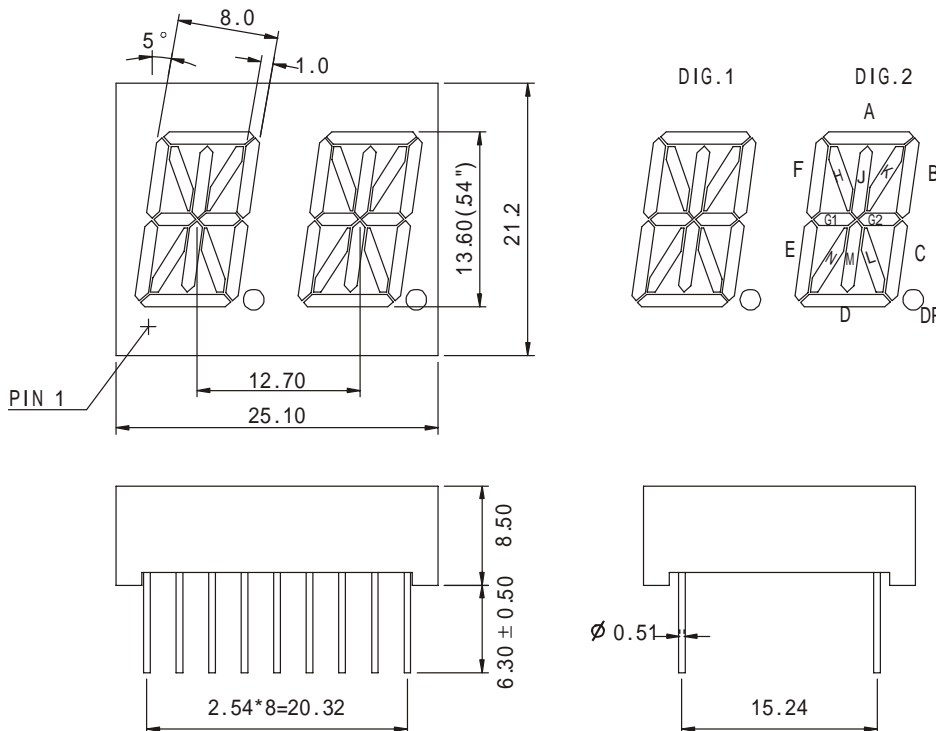
Features

- 13.60 mm (0.54 inch) digit high
- Excellent digit appearance
- Wide viewing angle
- Range of emitted colors
- I.C. compatible
- Low power consumption
- White segment, black face
- RoHS compliant

Available options

- Alternative emitting luminosity:
Standard or high brightness version
- Alternative emitted color
- Alternative face and segment color
- Alternative font
- Both CA and CC versions are available
- Cropped terminal pins

Package Dimensions

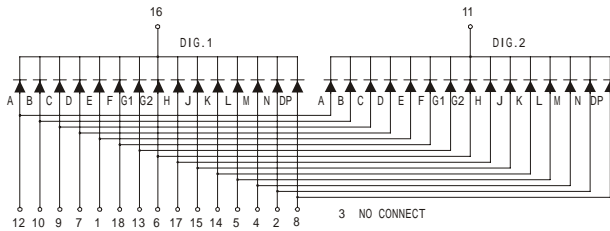


Notes:

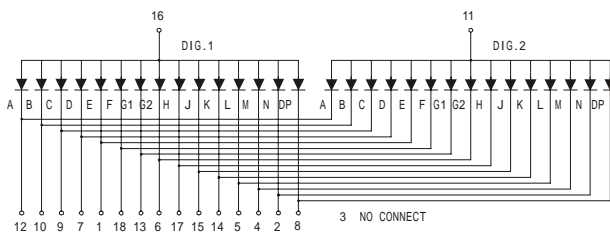
1. All dimensions are in millimeters (inches), Tolerance is $\pm 0.25\text{mm}$ (0.01inch) unless otherwise noted.
2. Specifications are subject to change without notice.
3. The gap between the reflector and PCB shall not exceed 0.25mm.

Internal Circuit Diagram

LD5321A (Common Cathode)



LD5321B (Common Anode)



Selection Guide

Dual Digit 14 Segment LED Display, Digit Height:13.60mm(0.53 inch), External Dimensions: 25.10x21.20x8.50mm (L x W x H)

Part No.		Chip			I _v @I _F =20mA		I _v @I _F =20mA	
Common Cathode	Common Anode	Material	Color	WLD	One Seg		One DP	
					Min.	Typ.	Min.	Typ.
LD5321AR	LD5321BR	GaAlAs	Super Red	640	8	10	8	10
LD5321AD	LD5321BD	GaAlAs	Hi-Red	640	18	25	18	25
LD5321AO	LD5321BO	GaAsP	Orange	625	7	9	7	9
LD5321AY	LD5321BY	GaAsP	Yellow	588	8	10	8	10
LD5321AG	LD5321BG	GaP	Green	568	7	9	7	9
LD5321AUR	LD5321BUR	AlGaInP	Ultra Red	640	30	45	30	45
LD5321AUO	LD5321BUO	AlGaInP	Ultra Orange	625	45	60	45	60
LD5321AUA	LD5321BUA	AlGaInP	Ultra Amber	605	30	45	30	45
LD5321AUY	LD5321BUY	AlGaInP	Ultra Yellow	595	30	45	30	45
LD5321AUG	LD5321BUG	AlGaInP	Ultra Green	573	30	45	30	45
LD5321APG	LD5321BPG	InGaN	Pure Green	525	120	300	120	300
LD5321AUB	LD5321BUB	InGaN	Ultra Blue	470	30	45	30	45
LD5321AUW	LD5321BUW	InGaN	Ultra White	\	100	120	100	120
Unit:	\	\	\	nm	mcd	mcd	mcd	mcd

Electrical Characteristics & Absolute Maximum Ratings

Parameter		Electrical optical Characteristics ^[1]			Absolute Maximum Ratings ^[1]		
		Forward Voltage @ IF=20mA		Reverse Current VR=5V	Power Dissipation	DC Forward Current	Peak Forward Current ^[2]
Emitted color		Typ.	Max.				
Super Red	Per Seg.	1.8	2.2	30	60	25	100
	Per DP	1.8	2.2	30	60	25	100
Hi-Red	Per Seg.	1.8	2.2	30	60	25	100
	Per DP	1.8	2.2	30	60	25	100
Orange	Per Seg.	2.1	2.5	30	80	30	100
	Per DP	2.1	2.5	30	80	30	100
Yellow	Per Seg.	2.1	2.5	30	80	30	100
	Per DP	2.1	2.5	30	80	30	100
Green	Per Seg.	2.2	2.5	30	80	30	100
	Per DP	2.2	2.5	30	80	30	100
Ultra Red	Per Seg.	1.9	2.6	30	60	30	100
	Per DP	1.9	2.6	30	60	30	100
Ultra Orange	Per Seg.	2	2.6	30	65	30	100
	Per DP	2	2.6	30	65	30	100
Ultra Amber	Per Seg.	2	2.6	30	65	30	100
	Per DP	2	2.6	30	65	30	100
Ultra Yellow	Per Seg.	2	2.6	30	65	30	100
	Per DP	2	2.6	30	65	30	100
Ultra Green	Per Seg.	2.1	2.6	30	75	30	100
	Per DP	2.1	2.6	30	75	30	100
Pure Green	Per Seg.	3.5	4	30	110	30	100
	Per DP	3.5	4	30	110	30	100
Ultra Blue	Per Seg.	3.5	4	30	120	30	100
	Per DP	3.5	4	30	120	30	100
Ultra White	Per Seg.	3.5	4	30	120	30	100
	Per DP	3.5	4	30	120	30	100
Unit:	\	V	V	uA	mW	mA	mA

Notes:

1. At Ta = 25 °C.

2. Peak forward current at 1/10 Duty Cycle, 0.1ms Pulse.