

# Non-reflective Terminations (SMA Type)

## HRM-TM Series



### ■ Features

#### 1. High Performance

These super wide bandwidth/ultra high matching non-reflective termination use Hirose Electric original high frequency matching technology.

#### 2. Equipped with SMA Connectors

Use of SMA connectors (Hirose Electric HRM Series) which feature stainless steel for the exterior cladding make these couplers durable.

### ■ Product Specifications

Ratings	Frequency range (Note) Characteristic impedance Maximum Input Power (Note)	DC to 26.5 GHz 50 ohms 0.25 to 10 W	Operating temperature range Operating relative humidity	-10°C to +65°C 95% Max.
---------	--	---	--	----------------------------

Note: The frequency range and the maximum input power will differ depending on the products.

Item	Standard	Conditions
1. Vibration	No electrical discontinuity of 1 $\mu$ s or more No damage, cracks, or parts dislocation	Frequency of 10 to 2000 Hz, overall amplitude of 1.52 mm, acceleration of 98 m/s <sup>2</sup> for 2 hours in each of 3 directions
2. Shock		Acceleration of 490 m/s <sup>2</sup> , sine half-wave waveform, 3 cycles in each of the 3 axis
3. Temperature cycle	No damage, cracks, or parts dislocation	Temperature: -55°C → +5°C → +35°C → +85°C → +5°C → +35°C Time: 30 → 15 max. → 30 → 15 max. (Minutes) 200 cycles

- The test method conforms to MIL-STD-202.
- Please see the specification items for details concerning the VSWR.

### ■ Materials

Part	Material	Finish
Connector Body (Note)	Stainless steel	Nickel plating
Insulation	PTFE	-----
Male contacts	Brass	Gold plating
Female contacts	Beryllium copper	Gold plating
Outer conductor	Brass	Nickel plating
Coupling (Note)	Stainless steel	Passivated
Radiator	Aluminum	Black alumite
Resistor	Metal film	-----

Note: The external cladding and coupling of HRM-601, HRM-602, and HRM-603 have received gold plating processing.

## Ordering Information

**HRM - 601 S**

①      ②      ③

**HRM - TM P - 5 - 2**

①      ②      ③      ④      ⑤

① Series Name: HRM Series
② 600 to 699: Indicates a non-reflective termination.
③ Coupling Finish Blank: Gold plating S: Passivated A: Passivated (HRM-601S type without cap) D: Passivated (With connection leads)

① Series Name: HRM Series	④ Power (Example) 05: 0.5 W 2: 2 W
② TM: Indicates a non-reflective terminator.	
③ Connector type P: Plug type J: Jack type	⑤ Suffix

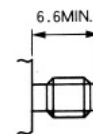
## Specifications

Part Number	Frequency Range (GHz)	V.S.W.R.(Max)						Power (W)	Connectors	Weight (g)
		DC~2GHz	2~4GHz	4~8GHz	8~12.4GHz	12.4~18GHz	18~26.5GHz			
HRM-601 HRM-601S	DC~18	1.08		1.10	1.12	1.15	—	1/4	HRM-P	3
HRM-601A	DC~18	1.08		1.10	1.12	1.15	—	1/4	HRM-P	3
HRM-601A(02)	DC~26.5	1.08		1.10	1.12	1.15	1.20	1/4	HRM-P	3
HRM-601D	DC~18	1.08		1.10	1.12	1.15	—	1/4	HRM-P	3
HRM-602 HRM-602S	DC~18	1.08		1.15		1.35	—	1/4	HRM-J	4
HRM-603 HRM-603S	DC~18	1.08		1.10	1.12	1.15	—	1/4	HRM-P	5
HRM-TMP-05	DC~18	1.08		1.10	1.12	1.15	—	1/2	HRM-P	3
HRM-TMP-2	DC~18	1.10	1.15	1.20	1.25	1.25	—	2	HRM-P	11
HRM-TMP-3	DC~8	1.10	1.15	1.20	—	—	—	3	HRM-P	40
△ HRM-TMP-5-2	DC~18	1.20			1.30		—	5	HRM-P	42
HRM-TMP-6	DC~8	1.10	1.15	1.20	—	—	—	6	HRM-P	56
△ HRM-TMP-10-2	DC~18	1.20			1.30		—	10	HRM-P	82

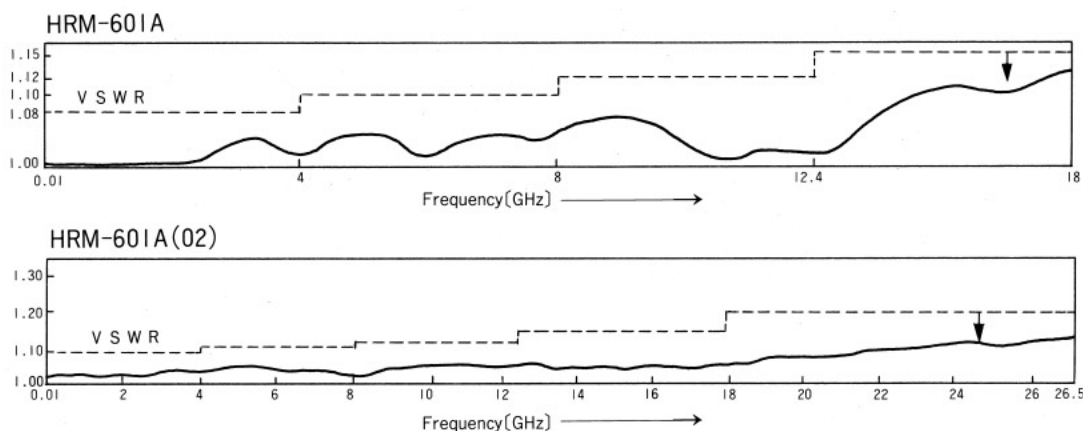
Note 1: When □300 metal plates are attached

Note 2: When connection leads are to be attached to the jack connector side, please use a leading dimension of 6.6 mm or greater from the mounting surface.

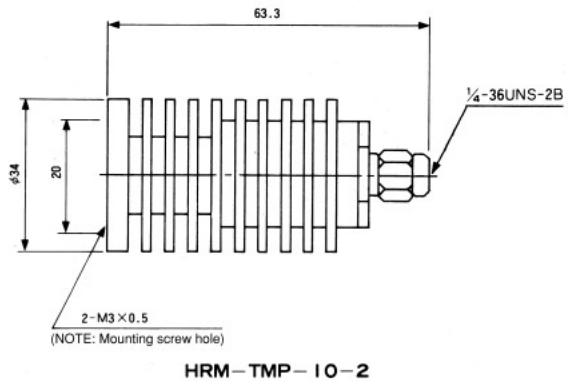
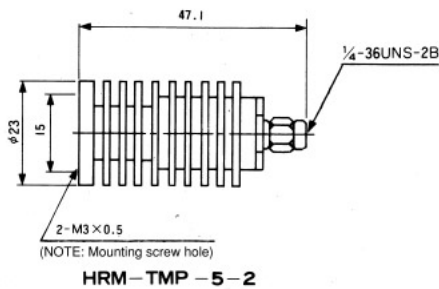
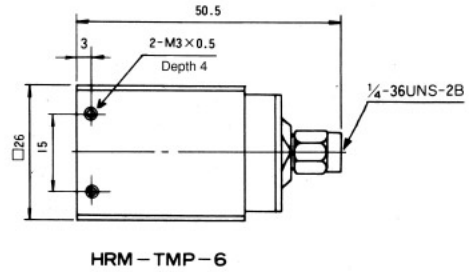
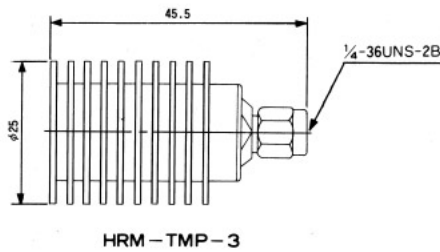
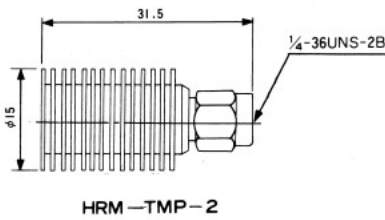
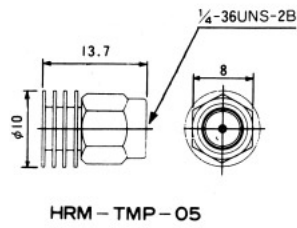
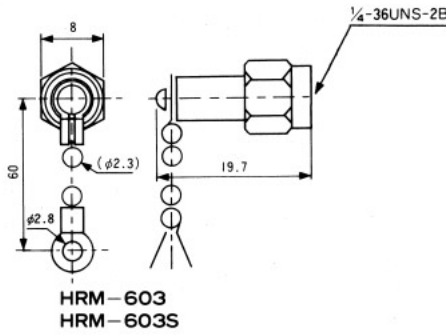
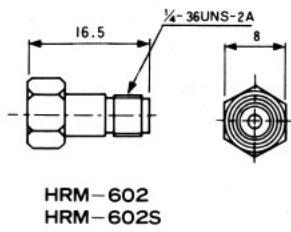
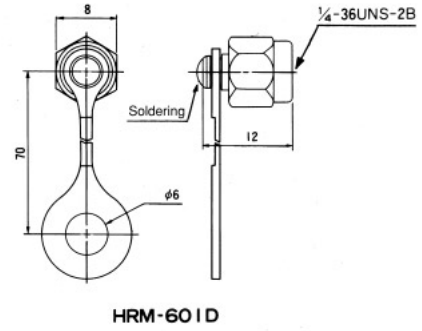
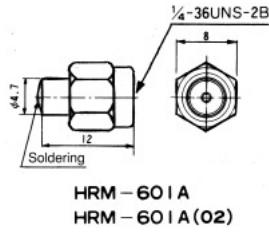
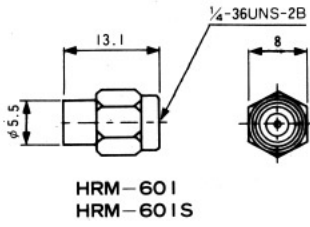
△CAUTION: Beryllia is used in this product. Please follow associated laws when disposing.



## Typical Data



# External Dimensions



(NOTE: Mounting screw hole)

(NOTE: Mounting screw hole)