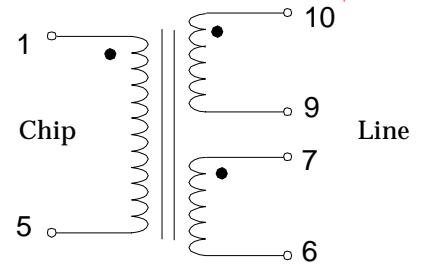


# U<sub>PN</sub> Interface Transformer

Turns Ratio (10-6 : 1-5) <sup>1</sup>	1CS : 2 ± 2%			
Parameter	Min.	Typ.	Max.	Units
Inductance Pins 6-10 <sup>2</sup> (9-7shorted)	1.7			mH
D.C. Resistance Pins 1-5			8.0	Ω
D.C. Resistance Pins 6-10 (9-7shorted)			4.2	Ω
Hi-Pot Primary to Secondary	1500			V <sub>RMS</sub>
Current DC Bias			100	mA

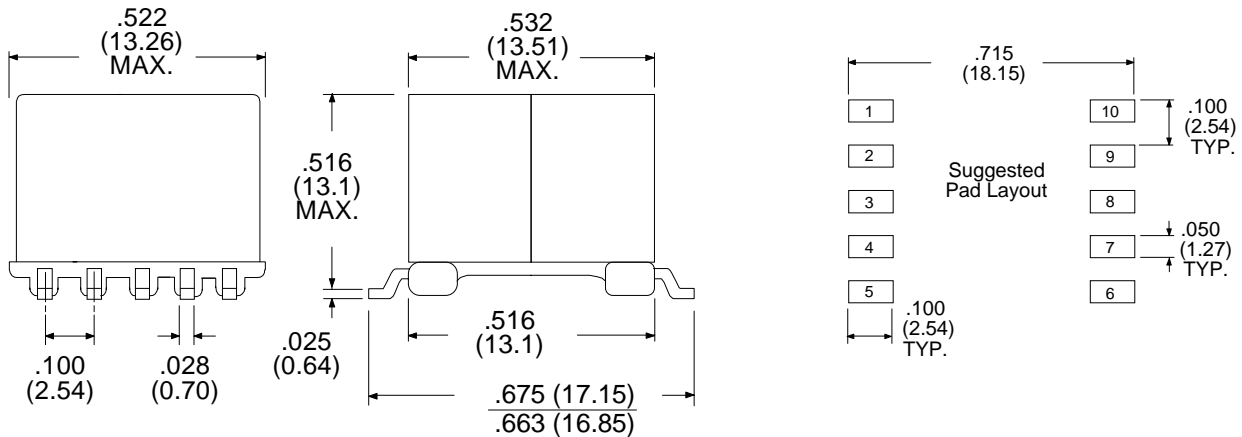
Schematic Diagram



1. Line : Chip
2. Tested at 1 kHz - 100 mV

Materials used in construction of this component meet or exceed UL Class B and can be operated up to 130°C

Physical Dimensions  
inches (mm)



RHOMBUS P/N: **T-1384**

CUST P/N:

NAME:

DATE: **12/12/00**

SHEET: