

MITSUBISHI SOFT RECOVERY DIODE

FD500JV-90DA

HIGH POWER, HIGH FREQUENCY
PRESS PACK TYPE

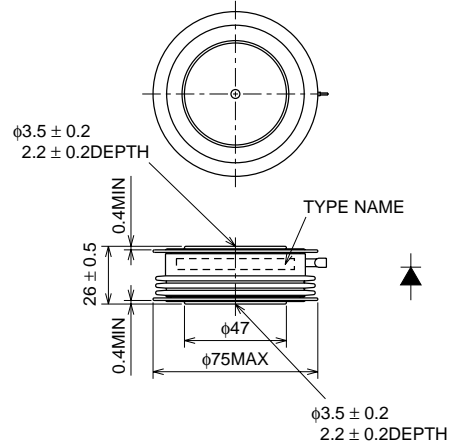
FD500JV-90DA



- VRRM Repetitive peak reverse voltage 4500V
- IT(AV) Average on-state current 500A

OUTLINE DRAWING

Dimensions in mm



APPLICATION

High-power inverters

Clamp diode for GCT Thyristor

Power supplies as high frequency rectifiers

MAXIMUM RATINGS

Symbol	Parameter	Conditions	Voltage class	Unit
VRRM	Repetitive peak reverse voltage	—	4500	V
VRSM	Non-repetitive peak reverse voltage	—	4500	V
VR(DC)	DC reverse voltage	—	3600	V

Symbol	Parameter	Conditions	Ratings	Unit
IF(RMS)	RMS forward current	Applied for all condition angles	785	A
IF(AV)	Average forward current	f = 60Hz, sinewave $\theta = 180^\circ$, $T_f = 76^\circ\text{C}$	500	A
IFSM	Surge forward current	One half cycle at 60Hz, $T_j = 125^\circ\text{C}$ start	10	kA
I ² t	Current-squared, time integration		4.2×10^5	A ² s
di/dt	Critical rate of rise of reverse recovery current	IFM = 500A, VR = 2250V, $T_j = 25/125^\circ\text{C}$ (See Fig. 1, 2)	2000	A/ μs
Tj	Operation junction temperature		-20 ~ 125	°C
Tstg	Storage temperature		-40 ~ 150	°C
—	Mounting force required	(Recommended value 23.5kN)	22 ~ 28	kN
—	Weight	Typical value 530g	—	g

ELECTRICAL CHARACTERISTICS

Symbol	Parameter	Test conditions	Limits			Unit
			Min.	Typ.	Max.	
VFM	Forward voltage	IFM = 1570A, $T_j = 125^\circ\text{C}$	—	—	3.5	V
IRRM	Repetitive peak reverse current	VRM = 4500V, $T_j = 125^\circ\text{C}$	—	—	80	mA
QRR	Reverse recovery charge	IFM = 500A, di/dt = 1000A/ μs , VR = 2250V, $T_j = 125^\circ\text{C}$	—	—	1500	μC
Erec	Reverse recovery energy	(See Fig. 1, 2)	—	4	—	J/P
Rth(j-f)	Thermal resistance	Junction to Fin	—	—	0.027	K/W

Jul. 2002

FD500JV-90DA

HIGH POWER, HIGH FREQUENCY
PRESS PACK TYPE

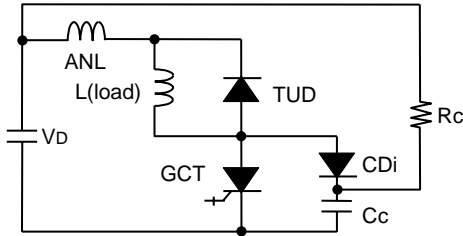


Fig. 1 Reverse recovery test circuit

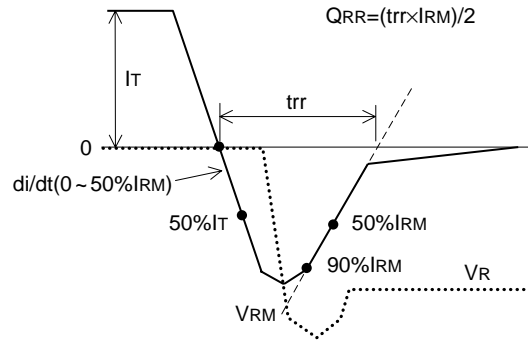


Fig. 2 Reverse recovery waveform

PERFORMANCE CURVES

