



Continental Device India Limited

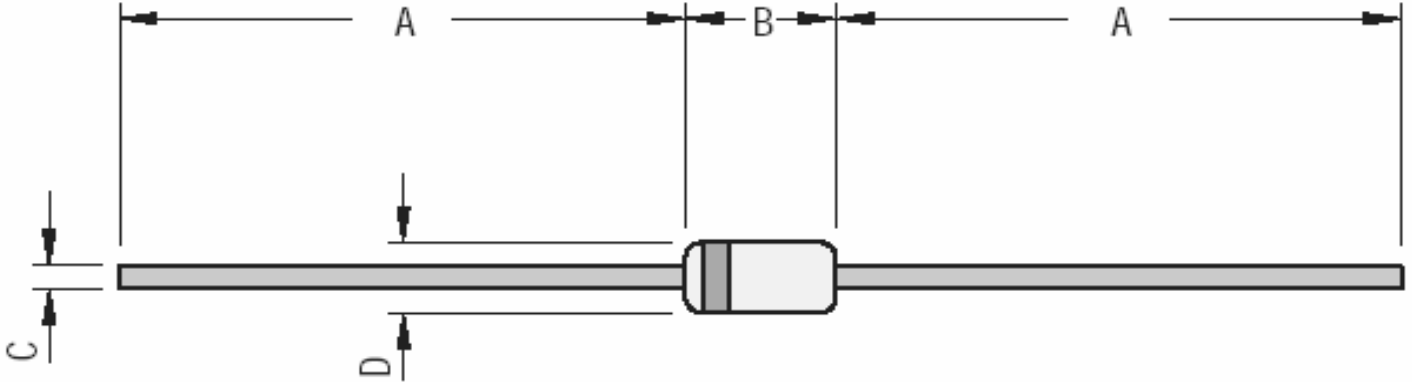
An ISO/TS 16949, ISO 9001 and ISO 14001 Certified Company



# DO-34 Axial Glass Package

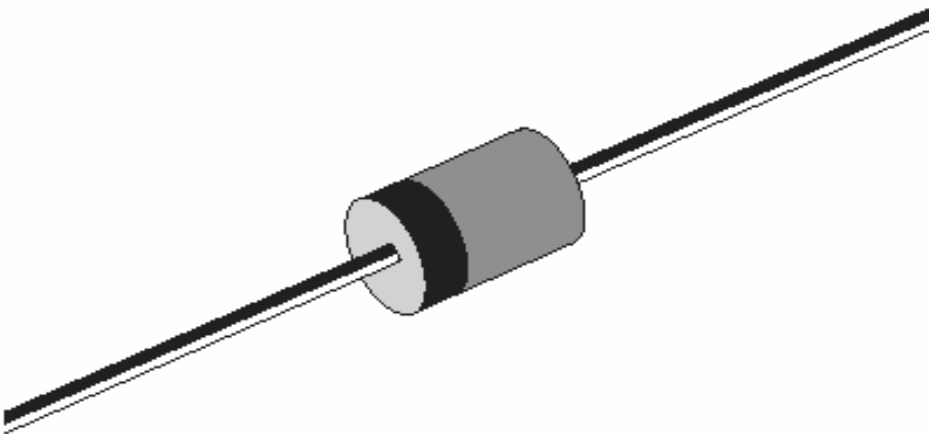
## Package Outline, Tape, and Packaging Information

### DO-34 Axial Glass Package



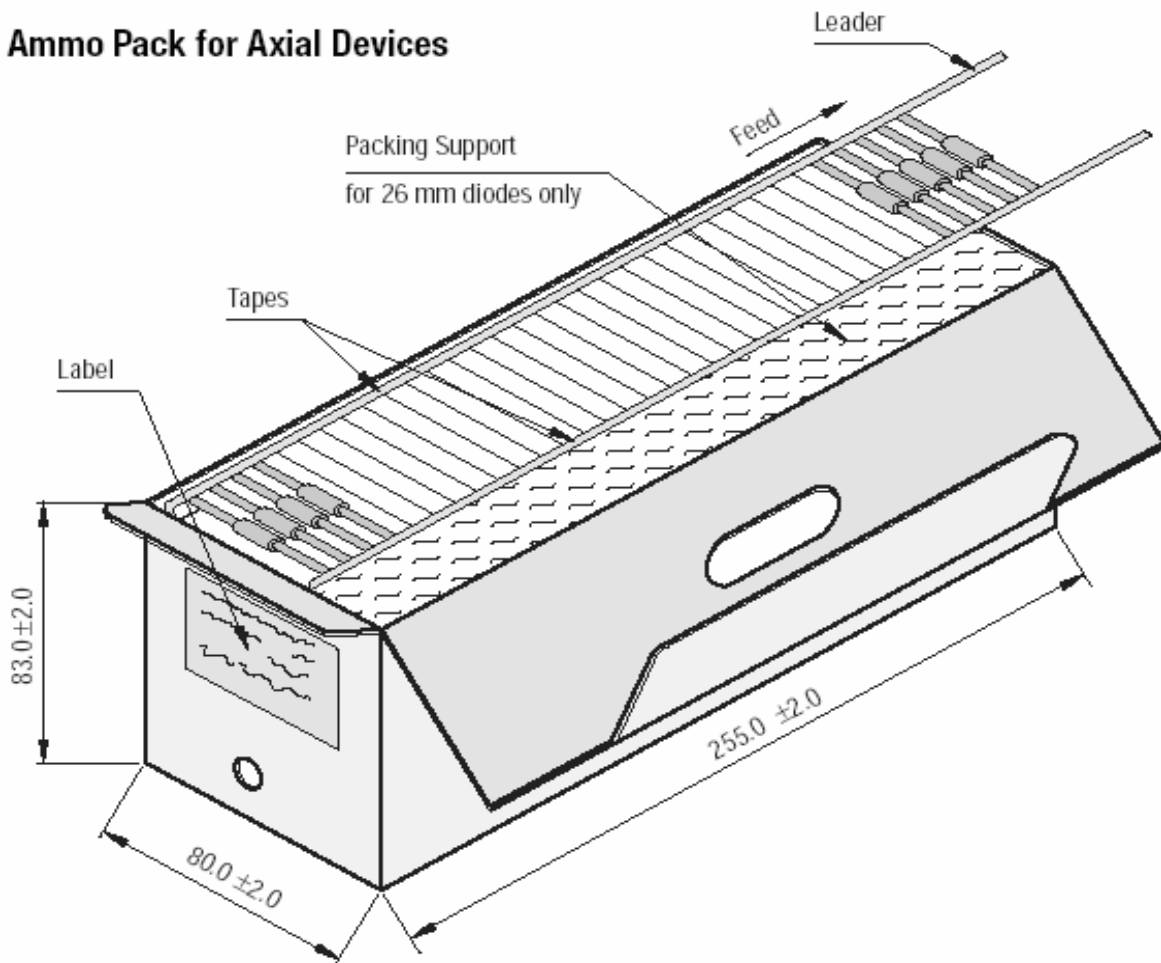
DIM	Min	Max
A	25.40	
B		2.90
C		Ø 0.45
D		Ø 1.90

All Dimensions are in mm



## AMMO PACKING FOR DO-34

### Ammo Pack for Axial Devices

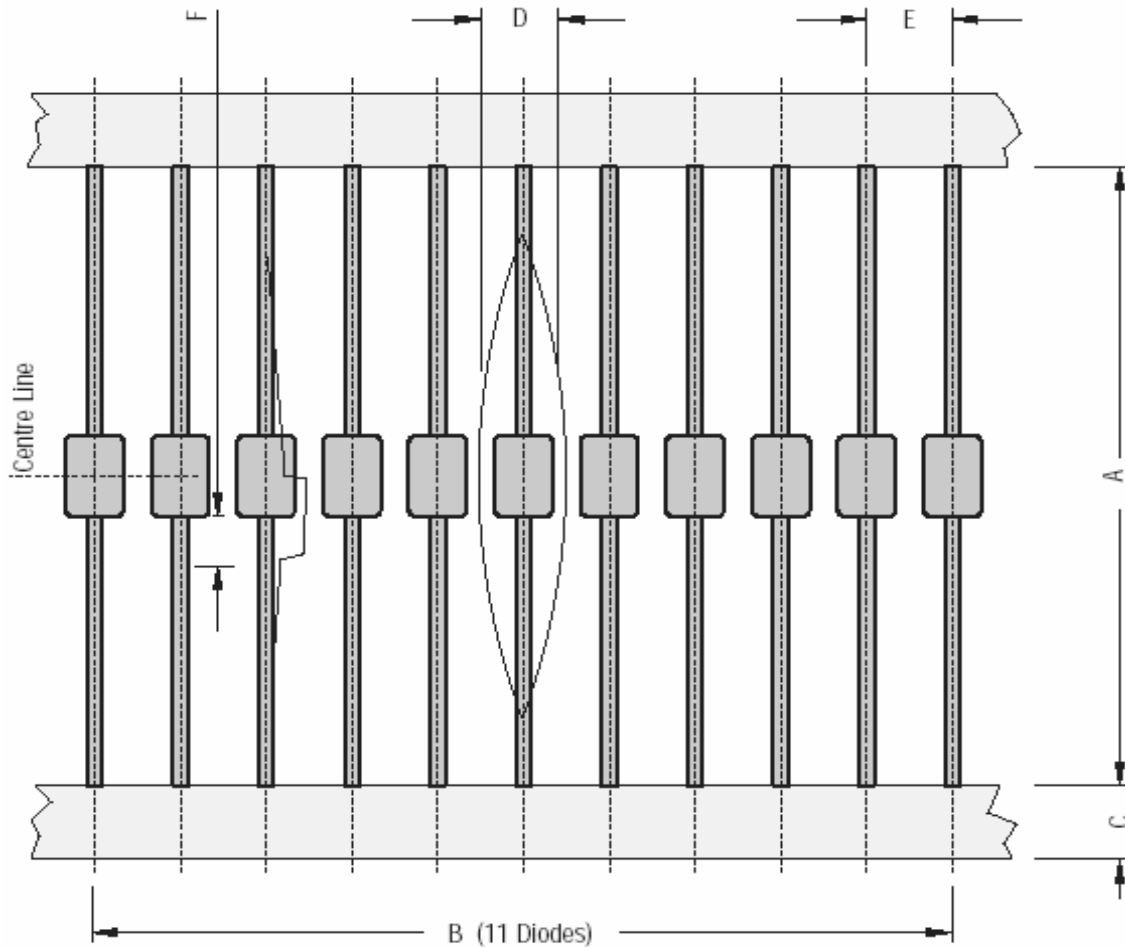


All Dimensions are in mm

### Packaging Information

Package/ Case Type	Packaging Type	Std. Packing		Inner Carton		Outer Carton		
		Qty	Qty	Size L x W x H (cm)	Gross Weight (Kg)	Qty	Size L x W x H (cm)	Gross Weight (Kg)
DO-34	T&A	5,000	5K					

T & A: Tape and Ammo Pack



DO-34 52 mm Tape		
DIM	Min	Max
A	50.0	54.0
B	95.0	105.0
C	5.60	6.50
D		1.5R
E	9.50	10.50
F		1.25

All Dimensions are in mm

### TAPE SPECIFICATIONS

1. 300 mm (Min) leader tape on every roll.
2. No. of empty places allowed 0.25% without consecutive empty places.
3. Ends of leads shall normally not protrude beyond the tapes.
4. Components shall be held sufficiently in the tape or tapes so that they can not come free in normal handling.

## Customer Notes

### Disclaimer

The product information and the selection guides facilitate selection of the CDIL's Semiconductor Device(s) best suited for application in your product(s) as per your requirement. It is recommended that you completely review our Data Sheet(s) so as to confirm that the Device(s) meet functionality parameters for your application. The information furnished in the Data Sheet and on the CDIL Web Site/CD are believed to be accurate and reliable. CDIL however, does not assume responsibility for inaccuracies or incomplete information. Furthermore, CDIL does not assume liability whatsoever, arising out of the application or use of any CDIL product; neither does it convey any license under its patent rights nor rights of others. These products are not designed for use in life saving/support appliances or systems. CDIL customers selling these products (either as individual Semiconductor Devices or incorporated in their end products), in any life saving/support appliances or systems or applications do so at their own risk and CDIL will not be responsible for any damages resulting from such sale(s).

CDIL strives for continuous improvement and reserves the right to change the specifications of its products without prior notice.



CDIL is a registered Trademark of  
**Continental Device India Limited**

C-120 Naraina Industrial Area, New Delhi 110 028, India.

Telephone + 91-11-2579 6150, 4141 1112 Fax + 91-11-2579 5290, 4141 1119

email@cdil.com www.cdilsemi.com