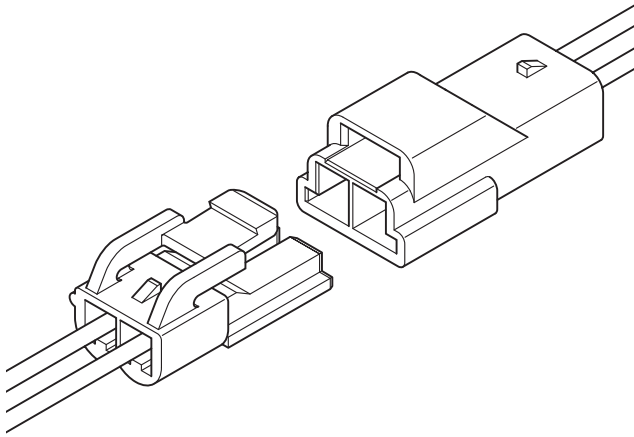




YLN CONNECTOR

4.5mm pitch/Disconnectable Crimp style Wire-to-wire connectors



The YLN connector adds variations in shape to the existing color variations of the YL connector in order to improve identification of connectors. Moreover, this connector has a mechanism to prevent incomplete mating by utilizing the inertial force generated when the plug and receptacle are mated and therefore, ensures complete mating.

- Design to prevent incidental mating with the YL connector
- Inertial force mechanism
- Interchangeability
- Finger friendly design

Specifications

- Current rating: 10 A max. AC, DC
(7 A when retainers are mounted)
- Voltage rating: 300 V max. AC, DC
- Temperature range: -25°C to +90°C
(including temperature rise in applying electrical current)
- Contact resistance: Initial value/ 7 mΩ max.
After environmental tests/ 10 mΩ max.
- Insulation resistance: 1,000 MΩ min.
- Withstanding voltage: 1,500 VAC/minute
- Applicable wire: AWG #26 to #16
0.13 to 1.25 mm²

* Refer to "General Instruction and Notice when using Terminals and Connectors" at the end of this catalog.

* Contact JST for details.

* Compliant with RoHS.

Note: The current rating differs depending on the number of circuits and the wire size used in each connector. The table below lists the current rating as a function of the number of circuits and the wire size.

Current unit : A

| Circuits | Wire size (AWG) | | | | | |
|----------|-----------------|-----|-----|-----|-----|-----|
| | #16 | #18 | #20 | #22 | #24 | #26 |
| 2 | 10 | 7 | 5 | 4 | 3 | 2 |
| 3 | 9 | 6 | 4 | 4 | 3 | 2 |
| 4 | 9 | 6 | 4 | 4 | 3 | 2 |
| 6 | 8 | 5 | 3 | 3 | 2 | 2 |

Note: Secondary retainers cannot be used with AWG #16 wires.

Standards

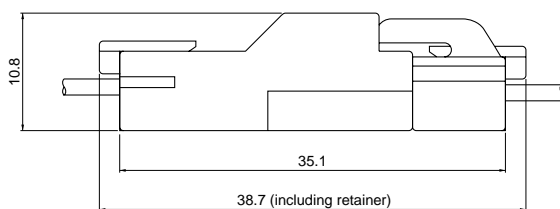
Recognized E60389

Certified LR20812

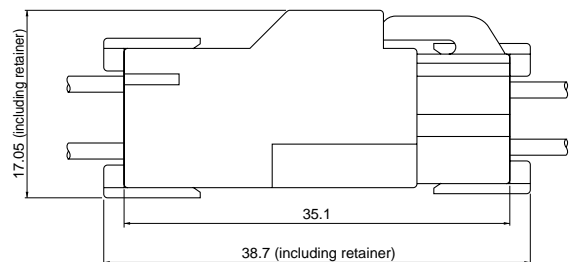
R9351052

Assembly layout

<2, 3 circuits>

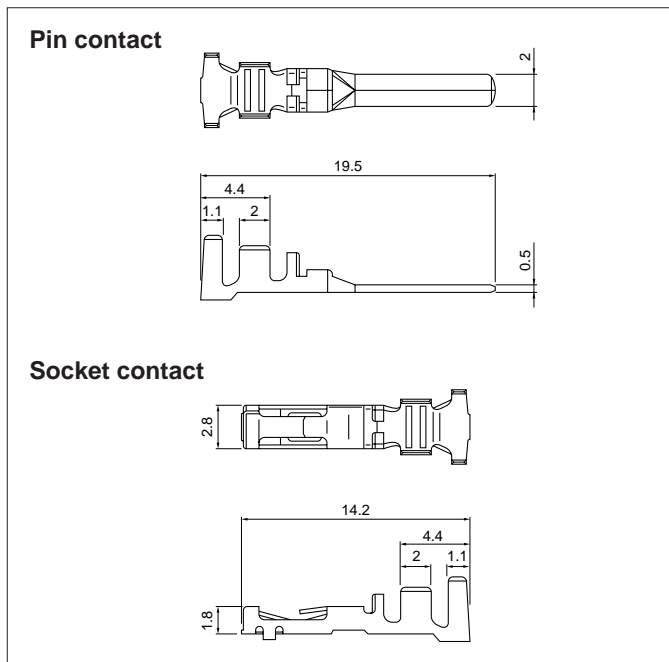


<4, 6 circuits>



YLN CONNECTOR

Contact



| Model No. | | Applicable wire | | Insulation O.D. (mm) | Q'ty/reel |
|----------------------|----------------------|---------------------|-----------------|----------------------|-----------------------------------|
| Pin contact | Socket contact | mm ² | AWG # | | |
| SYM-01T-P0.5A | SYF-01T-P0.5A | 0.13~0.5 | 26~20 | 1.3~2.5 | 4,000 (SYM-01T-P0.5A) 5,000 |
| SYM-41T-P0.5A | SYF-41T-P0.5A | 0.5~1.25 | 20~16 | 2.0~3.4 | |
| | | 0.3+0.3~ 0.5+0.5 | 22+22~ 20+20 | 1.5+1.5~ 2.0+2.0 | |

Material and Finish

Phosphor bronze, tin-plated (reflow treatment)

RoHS compliance

Note: 1. Contact JST for special products.

2. Retainers cannot be used with electric wire whose insulation O.D. exceeds 2.7 mm and AWG #16.

| Contact | Crimping machine | Applicator | | |
|----------------------|------------------|------------------|----------------|----------------------------|
| | | Crimp applicator | Dies | Crimp applicator with dies |
| SYM-01T-P0.5A | AP-K2N | MKS-L | MK/SYF/M-01-05 | APLMK SYF/M01-05 |
| SYF-01T-P0.5A | | *MKS-SC-YL | SC/SYF/M-01-05 | APLSC SYF/M01-05 |
| SYM-41T-P0.5A | | MKS-L | MK/SYF/M-41-05 | APLMK SYF/M41-05 |
| SYF-41T-P0.5A | | *MKS-SC-YL | SC/SYF/M-41-05 | APLSC SYF/M41-05 |

Note: *Strip-crimp applicator

Housing

Material: Housing...PA 66, UL94V-0, natural (white)

Retainer...Glass-filled PA 66, UL94V-0, natural (ivory)

| Circuits | Voltage rating | Current rating | Receptacle housing (for pin contact) | | Plug housing (for socket contact) | | Retainer | |
|----------|----------------|----------------|--|-----------------|--|-----------------|--|-------------------|
| 2 | 300V | 7A (10A) | YLN-02VF 10.8 26.6 6.5 13.8 No.1 hole mark | Q'ty/bag 250 | YLN-02V 10.2 20.9 11 No.1 hole mark | Q'ty/bag 500 | YLS-02V (Used with both housings with 2 and 4 circuits) 2.9 8.3 | Q'ty/bag 1,000 |
| 3 | 300V | 6A (9A) | YLN-03VF 10.8 26.6 6.5 18.3 No.1 hole mark | Q'ty/bag 250 | YLN-03V 10.2 20.9 15.5 No.1 hole mark | Q'ty/bag 500 | YLS-03V (Used with both housings with 3 and 6 circuits) 2.9 12.8 | Q'ty/bag 1,000 |
| 4 | 300V | 6A (9A) | YLN-04VF 16.1 26.6 6.5 13.8 No.1 hole mark | Q'ty/bag 250 | YLN-04V 15.3 20.9 11 No.1 hole mark | Q'ty/bag 250 | YLS-02V (Used with both housings with 2 and 4 circuits) 2.9 8.3 | Q'ty/bag 1,000 |
| 6 | 300V | 5A (8A) | YLN-06VF 16.1 26.6 6.5 18.3 No.1 hole mark | Q'ty/bag 200 | YLN-06V 15.3 20.9 15.5 No.1 hole mark | Q'ty/bag 200 | YLS-03V (Used with both housings with 3 and 6 circuits) 2.9 12.8 | Q'ty/bag 1,000 |

RoHS compliance

Note: Current rating in parentheses is for use with AWG #16 wire. (Retainers are not mountable.)